



Owner's Manual

DriForce™ InterAir Drying System

Models F211, F211-AK, F211-BU

Legend Brands, Inc.
 15180 Josh Wilson Road, Burlington, WA 98233
 Phone: 800-932-3030 Fax: 360-757-7950 LegendBrandsRestoration.com

The DriForce InterAir Drying System allows the restorer to direct high-pressure air into wet walls, behind cabinets, and into other hard-to-reach structures with minimal disruption to materials. Provides fast, effective drying in all types of assemblies and materials.

Patents: www.LBpatents.com

READ AND SAVE THESE INSTRUCTIONS

WARNING



WARNING! To reduce the risk of fire or electric shock, do not use this fan with any solid-state speed control device.

WARNING! Unit must be grounded. Do not use with an extension cord. Connect only to an outlet provided with a ground fault interrupting device.

WARNING! Do not touch grills when unit is operating.

NOTICE: Keep motor dry. For indoor use only.

NOTICE: Unplug when not in use or when moving unit.

WARNING: Do not allow children to play with or around the unit. Be sure the unit is inaccessible to children when not attended.

NOTICE: Always operate the unit on a stable, level surface so it cannot fall and cause injury.

WARNING! Do not alter or modify your Dri-Eaz product in any way. Use only replacement parts authorized by Legend Brands Restoration, Inc. Modifications or use of unapproved parts could create a hazard and will void your warranty. Contact your authorized Dri-Eaz distributor for assistance.

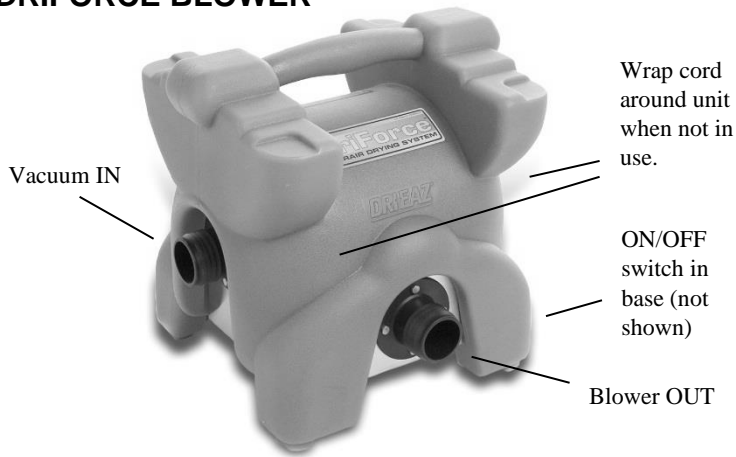
WARNING!

a) Do not operate any fan with a damaged cord or plug. Discard fan or return to an authorized service facility for examination and/or repair.

DRIFORCE AIR DRYING SYSTEM (ADS) COMPONENTS



DRIFORCE BLOWER



b) Do not run cord under carpeting. Do not cover cord with throw rugs, runners, or similar coverings. Do not route cord under furniture or appliances. Arrange cord away from traffic area and where it will not be tripped over.



WARNING: This product and other substances that may become airborne from its use contain chemicals, including lead and phthalates, known to the State of California to cause cancer, birth defects, or other reproductive harm. For more information, go to P65Warnings.ca.gov

BEFORE YOU BEGIN

Warranty registration

Please visit warranty.drieaz.com to register your purchase. Registration allows us to better assist you with using, maintaining or servicing your equipment and to contact you in case we have important safety information concerning your Dri-Eaz product. If you determine service is required, have your equipment model, serial number and original proof of purchase available and call your distributor for assistance with obtaining a return material authorization (RMA).

OPERATING INSTRUCTIONS

IMPORTANT: Extract standing water before attempting to dry. Do NOT use the DriForce to extract standing water of any kind.

Tools

Pencil, tape measure, razor knife, drywall taping knife, small pry bar, nail puller, screw driver, a carpet awl, a drill with a 3/16 in. bit. An electronic stud finder is also useful.

Preparing Walls, Cabinets and other Assemblies for Drying

Walls

Wall drying using an inter-air drying system can be accomplished with or without baseboards present. After inspecting walls, insulation, and baseboards, and after evaluating paint finish considerations, proceed in the manner that delivers the most value to the customer.

Remove baseboard or cove base. First, use a razor knife to score along the top of the base where it meets the wall, to reduce damage to the painted surfaces and make a professional re-installation easier. When prying base away from

the wall, protect the wall surface by inserting a drywall knife between the pry bar and the wall. Pull remaining nails out of the wall, or through the back of the baseboard. Write a number on the wall and the corresponding base so you will know where to reinstall it. However, drying success can also be achieved by making the wall penetrations immediately above the top of baseboard and proceeding to dry with the baseboards in place. This a necessary procedure where there is a desire to save a wall with a tiled wall base, when value is added by avoiding the detachment of wall baseboards.

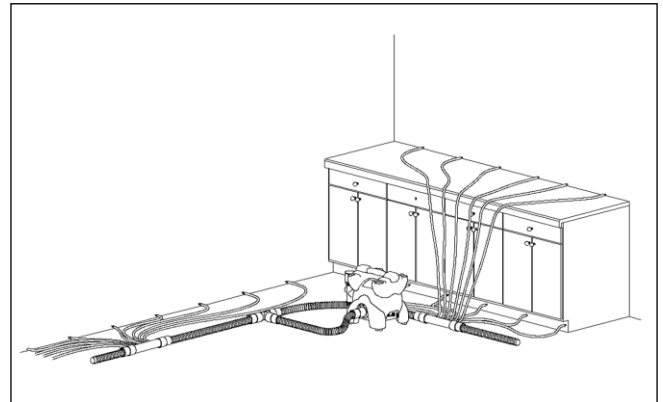
Making air access holes

Punch holes with a carpet awl or use a drill with a 3/16 in. bit. Create at least one hole between each set of studs and about 2 in. above the floor. An electronic stud finder can be used to locate studs and find the center of the cavity.

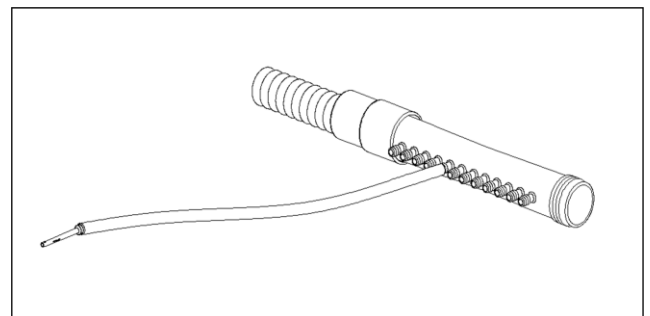
Larger holes are more time-consuming to patch, and may decrease efficiency by leaking air. Try to reduce the need for later repairs by placing the holes behind the rubber wainscoting or cove base, or behind trim that is easily reinstalled over the holes.

Steel Studs

Steel studs are common in commercial buildings. They are set in a channel that can hold large volumes of water. To access these areas, drill holes approximately 1/2 inch from



The DriForce and the Air Drying System can deliver air to structural cavities in walls, ceilings, under and above cabinets, and many other areas.



The ADS connects to the DriForce blower outlet and attaches to a manifold with a standard hose cuff. Supply tubes run from the manifold to injectors that are inserted into a wall or other structural cavity.

the floor at a downward angle. Take care, however, not to immerse the ends of the tubes in any standing water that may be present.

Ceilings and Cabinets

The larger lumber sizes and structural cavities in ceilings will require more air airflow to dry properly.

Moisture under and behind cabinets may be difficult to detect, but it is safest to assume that moisture is present if water has flowed through these assemblies. Make sure to provide as much airflow as possible. If you cannot properly access all interior spaces, the cabinets may need to be removed.

NOTICE: Do not use the DriForce to extract liquid water or debris of any kind. This may damage the unit and void the warranty.

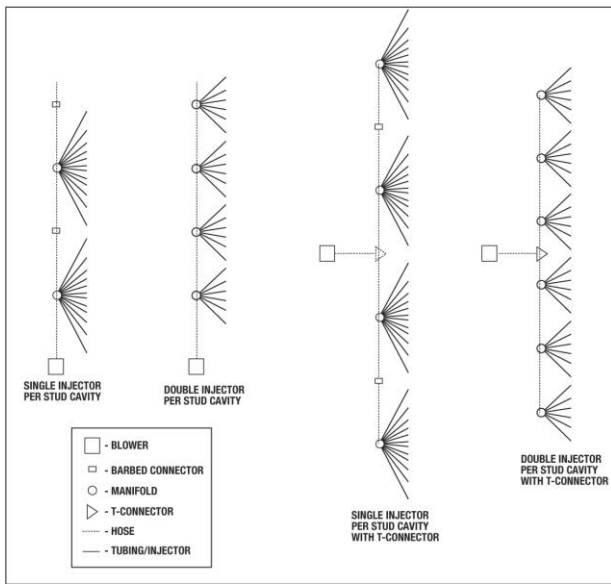


Diagram shows two inline ADS lines (left), and two double-ADS lines running from a T-fitting. It also shows tubing layouts for one or two injectors into each wall cavity.

DriForce Blower Setup

The DriForce Blower is equipped with a blower outlet, a vacuum inlet, a power switch and a power cord. Plug in unit to an appropriate grounded 115V outlet rated for 15 amps.

Attach vacuum hoses to the vacuum inlet and/or blower outlet.

Set the DriForce blower out of high traffic areas to minimize a trip-and-fall hazard from the blower and the ADS.

NOTE: The muffler/filter supplied with the DriForce should only be installed when using the DriForce in the Air Injection (Blower) mode, described under Phase 2 below. Do not use the muffler-filter when using with the DriForce in the air extraction mode (Phase 1). The filter is not intended to be used on the inlet (vacuum) side of the DriForce.

Switch power on and off with the toggle switch, found in the base of the unit.

Air Drying System (ADS) Setup

Manifold configuration

Next, determine the number of manifolds needed for the job. The following setup will deliver 25 to 30 air exchanges per hour in each cavity, which is effective for most situations. Use a formula of one manifold (each manifold has 12 injectors) for each 14 feet of interior 2 x 4 framed wall. For 2 x 6 exterior framed walls, common walls in apartments and condos, double-sheeted fire walls, and dense or water-resistant covered walls, use a formula of one manifold (12 injectors) for each 7 feet of wall.

After determining the number and length of hose assemblies and manifolds, set up the ADS system. Pre-assembling the manifolds, tubing and injectors will save considerable time.

Supply tube configuration

Two 200 ft. (60 m) lengths of 3/8 in. (0.375 mm) ID air supply tubing are provided. This tubing can be cut to length with a pair of sturdy scissors or a utility knife. We recommend the cutting following tubing lengths to create a setup suitable for most standard wall-drying jobs:

1. Set up THREE manifolds with the following lengths of tubing:

Manifold no.	Tubing quantity	Tubing length	Tubing locations on manifold outlets
1	4	4 ft. 1.2 m	Outlets 1, 2, 11 and 12
2	4	3½ ft. 1 m	Outlets 3, 4, 9 and 10
3	4	1 ft. 30 cm	Outlets 5, 6, 7 and 8

2. Set up the remaining FIVE manifolds with the following lengths of tubing:

Manifold no.	Tubing quantity	Tubing Length	Tubing locations on manifold outlets
4	2	7½ ft. 2.3 m	Outlets 1 and 12
5	2	6½ ft. 2.0 m	Outlets 2 and 11
6	2	5½ ft. 1.7 m	Outlets 3 and 10
7	2	4½ ft. 1.4 m	Outlets 4 and 9
8	2	2½ ft. 0.8 m	Outlets 5 and 8
9	2	1 ft. 30 cm	Outlets 6 and 7

To install the tubing, slide the one end of the tubing over the manifold outlet nipple and insert an injector in the other end.

Tightly seal off the last manifold on each run of ADS with an end-cap plug. Now place the injectors into the holes you have drilled or punched in the wall, cabinet or other assembly.

Ensure that all T-fittings, hose cuffs, manifolds, supply lines, and injectors are properly installed. Attach the ADS to the DriForce. Plug in the DriForce and switch it on briefly, checking all connections for air leakage. If needed, use a hose clamp to seal off any air leakage where the vinyl products connect up to hose barbs, etc.

Drying Procedure

Phase 1: Air Extraction (Vacuum) Drying

Attach the ADS to the vacuum inlet of the DriForce blower unit and switch unit on.

Use the air extraction (vacuum) mode to draw humid air from structural cavities.

Operate Phase 1 until the humidity of the air being drawn from the affected area is approximately the same as the humidity in an unaffected area of the job. You can use a hygrometer to compare RH readings between the outlet of the DriForce and the surrounding area.

NOTE: Be sure to attach the vacuum hose to the DriForce outlet and direct the exhaust air outside the structure. Do not use the muffler-filter that is supplied with the DriForce in the air extraction mode. This filter is not a HEPA-grade filter, and will not properly capture contaminants that may be drawn into the DriForce. Use the muffler-filter only in the injection (blower) mode, described below.

Phase 2: Air Injection (Blower) Drying

Attach the ADS from the vacuum to the pressure outlet of the DriForce, install the muffler-filter on the air intake, and switch unit on.

Once the humidity inside the structural cavity equals the humidity in the room, it is time to switch to the air injection mode. Injecting room air into the structural cavities will help continue the drying process. This is especially true if you are dehumidifying the room air.

TIP: When drying inside walls, use an awl-punch or drill to create a small vent holes placed just above the highest moisture point on the wall. This will provide a vent and help to speed up the drying process by allowing greater air flow through the affected materials. A small hole can be easily patched.

TIP: To maximize drying in walls that wainscoted, tile-covered, double-sheeted, or covered with vinyl wall paper or impermeable paint, as well as lath and plaster walls, fire-walls and insulated walls, place additional injectors per linear foot.

TIP: Accelerate drying with dehumidifiers. To increase drying rates during Phase 2, use a dehumidifier to supply dry air directly into the DriForce. Position the dry air outlet of a dehumidifier near the DriForce air inlet, or duct the dehumidifier outlet toward the DriForce inlet. **Desiccant dehumidifiers are especially useful for this purpose**, as the extremely dry air they produce can accelerate the drying of dense materials and assemblies.

NOTICE: Do NOT tape or seal the dehumidifier ducting to the DriForce inlet, as this could unbalance the airflow through the dehumidifier and possibly damage the dehumidifier.

Odor and Mold Control

If you suspect that mold and mildew may be growing inside cavities, follow the appropriate industry mold remediation procedures and safety standards.

MAINTENANCE

WARNING: Always unplug unit prior to servicing or cleaning.

As needed

Check both the inlet and outlet of the DriForce unit for obstructions or debris after each use.

Inspect the muffler-filter, and clean as needed by vacuuming or washing. Check manifolds, tubing, injectors and other ADS components, and replace if needed.

Clean the exterior of the DriForce and ADS components with a vinyl cleaner and protectant.

Parts, service, and maintenance and warranty information are available from your Dri-Eaz distributor.

SPECIFICATIONS	
DriForce InterAir Drying System (F211)	
BASE UNIT	
Dimensions (H x L x D)	14 x 14 x 12 in. 35 x 35 x 30 cm
Amperage	5.4 amps
Power	115V / 60Hz
Total system airflow (max.)	100 CFM 2.3 CMM
Working static pressure (water lift)	38 in. 97 cm
Weight (base unit only)	14.5 lbs. 6.3 kg
Safety	ETL listed to UL 507 and CSA C22.2 No. 113
AIR DELIVERY SYSTEM (ADS)	
Crush-proof ADS tubing	91 ft. (28 m) of 1½ in. (3.8 cm) tubing. Pre-cut into thirteen 7 ft. (2 m) sections.
Injector hole size	Less than ¼ in. (6 mm)
Flexible tubing	400 ft. (122 m) of ⅜ in. (0.375 mm) ID tubing
Carrying/storage system	2 suitcase-style duffle bags with handle and wheels
Drying modes	Either positive or negative pressure
Parts included	100 injectors, 8 manifolds (12 outlets each), 4 manifold endcaps, 4 coupler fittings, 2 hose clamps, 2 T-fittings, 13 hose assemblies with cuffs, 25 tube extender connections, 1 muffler.

DRIEAZ **MANUAL DEL USUARIO**

DriForce™ InterAir Sistema de Secado

Modelo F211, F211-AK, F211-BU

Legend Brands, Inc.

15180 Josh Wilson Road, Burlington, WA 98233

Teléfono: 800-932-3030 Fax: 360-757-7950 LegendBrandsRestoration.com

El InterAir Sistema de Secado de DriForce permite al reparador dirigir aire a alta presión contra paredes húmedas, detrás de los gabinetes y sobre otras estructuras difíciles de alcanzar, con un mínimo efecto sobre los materiales. Permite un secado rápido y eficaz en todo tipo de montajes y materiales.

Patentes: www.LBpatents.com

LEA Y CONSERVE ESTAS INSTRUCCIONES



¡ADVERTENCIA! Para reducir el riesgo de incendio o descarga eléctrica, no use este ventilador con ningún dispositivo de control de velocidad sólido.

¡ADVERTENCIA! La unidad debe tener puesta a tierra. No utilizar con un cable de extensión. Conectar solamente a un toma provisto de un dispositivo de interrupción por fallo con puesta a tierra.

¡ADVERTENCIA! No toque las parrillas cuando la unidad esté en funcionamiento.

AVISO: Mantener seco el motor. Sólo para uso interior.

AVISO: Desenchufar cuando no esté en uso o cuando esté desplazando la unidad.

ADVERTENCIA: No permita que los niños jueguen con o cerca de la unidad. Asegúrese de que la unidad no quede accesible a los niños cuando no se la esté controlando.

AVISO: Siempre operar la unidad sobre superficie estable y nivelada para que no pueda caerse y causar lesiones.

¡ADVERTENCIA! No modificar su producto Dri-Eaz. Utilice sólo repuestos autorizados por Legend Brands Restoration, Inc. Las modificaciones o el uso de piezas no autorizadas podrían provocar un accidente y la nulidad de la garantía. Póngase en contacto con su distribuidor autorizado de Dri-Eaz para obtener ayuda.

COMPONENTES DEL SISTEMA DE SECADO POR AIRE (ADS) DRIFORCE



VENTILADOR DRIFORCE



¡ADVERTENCIA!

a) No operar ningún ventilador que tenga el cable o el enchufe dañados. Elimine el ventilador o devuélvalo a un centro de servicio autorizado para que sea examinado o reparado

b) No despliegue el cable por debajo de alfombras. No lo cubra con alfombras, tapetes o cobertores similares. Tampoco se lo debe pasar por debajo de muebles o aparatos. Coloque el cable alejado de zonas de tránsito, de modo tal que no pueda provocar tropezos.



ADVERTENCIA: Este producto y otras sustancias que pueden desprenderse del aire por su uso contienen productos químicos, entre ellos plomo y ftalatos, que el estado de California sabe que causan cáncer, defectos congénitos u otros daños durante la gestación. Para obtener más información, visite P65Warnings.ca.gov.

ANTES DE COMENZAR

Registro de la garantía

Por favor, visite warranty.drieaz.com para registrar su compra. Esto nos permite ofrecerle ayuda con el uso, mantenimiento o reparación de su equipo, y contactarle en caso de tener información de seguridad importante con respecto a su producto Dri-Eaz. Si determina que se requiere de una reparación, tenga a mano la información del modelo de su equipo, número de serie y comprobante de compra original, y llame a su distribuidor para que lo ayude a obtener una autorización de devolución de material (RMA).

INSTRUCCIONES DE OPERACIÓN

IMPORTANTE: Extraer el agua estancada antes de intentar secar. **NO** utilice el DriForce para extraer el agua estancada de ningún tipo.

Herramientas

Lápiz, cinta métrica, navaja, cuchilla, espátula de paneles de yeso, palanca pequeña, sacaclavos, destornillador, punzón de alfombra, taladro con broca de 3/16 pulg. También resulta útil un localizador electrónico de montantes.

Preparación de paredes, armarios y demás montajes para el secado

Paredes

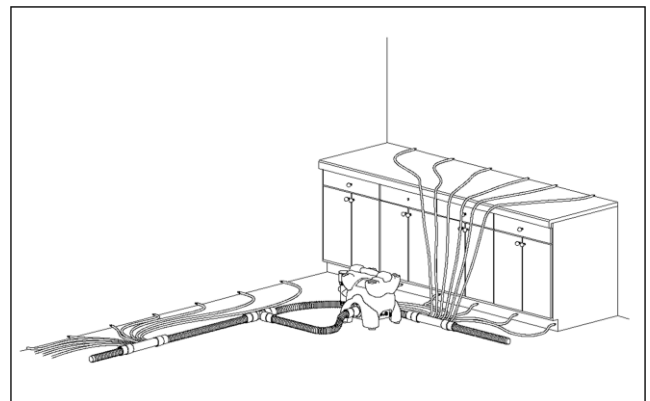
Se puede lograr el secado de paredes utilizando el sistema InterAir, con o sin los zócalos puestos. Después de inspeccionar las paredes, aislamientos y zócalos, y después de evaluar las consideraciones sobre el acabado en la pintura, proceda de la manera en que le pueda dar el mayor beneficio al cliente.

Retire el zócalo. Primero utilice una navaja para marcar en la parte superior donde se encuentra con la pared, para reducir así el daño a las superficies pintadas y facilitar una re-instalación profesional. Cuando haga palanca para quitar el zócalo, proteja la superficie introduciendo una espátula yesera entre la palanca y la pared. Quite los clavos restantes de la pared, o hacia atrás del zócalo. Escriba un número en la pared y en el zócalo para luego saber dónde instalarlo. También se puede tener éxito haciendo las perforaciones en la pared inmediatamente por encima de la parte superior del zócalo, para luego secarla con éstos sin ser retirados. Éste procedimiento será necesario cuando se deba salvar una pared con un zócalo de azulejos, cuando lo conveniente será evitar quitar de la pared estos zócalos.

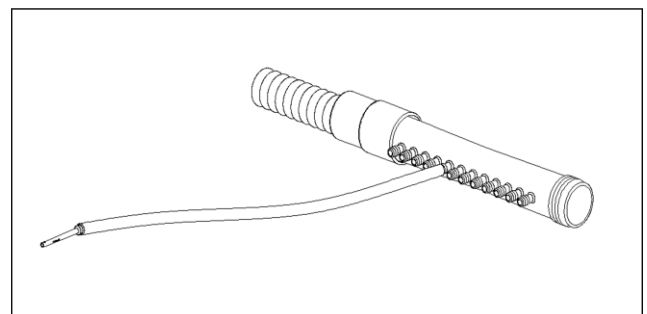
Retire el zócalo. Primero utilice una navaja para marcar en la parte superior donde se encuentra con la pared, para reducir así el daño a las superficies pintadas y facilitar una re-instalación profesional. Cuando haga palanca para quitar el zócalo, proteja la superficie introduciendo una espátula yesera entre la palanca y la pared. Quite los clavos restantes de la pared, o hacia atrás del zócalo. Escriba un número en la pared y en el zócalo para luego saber dónde instalarlo. También se puede tener éxito haciendo las perforaciones en la pared inmediatamente por encima de la parte superior del zócalo, para luego secarla con éstos sin ser retirados. Éste procedimiento será necesario cuando se deba salvar una pared con un zócalo de azulejos, cuando lo conveniente será evitar quitar de la pared estos zócalos.

Hacer agujeros de acceso de aire

Perforar con un punzón de alfombra o utilizar un taladro con broca de 3/16 pulg. Perforar al menos un agujero entre cada conjunto de pernos, a unas 2 pulgadas por encima del



El DriForce y el Sistema de Secado de Aire pueden suministrar aire a cavidades estructurales en paredes, techos, por debajo y por encima de gabinetes, y en muchas otras áreas.



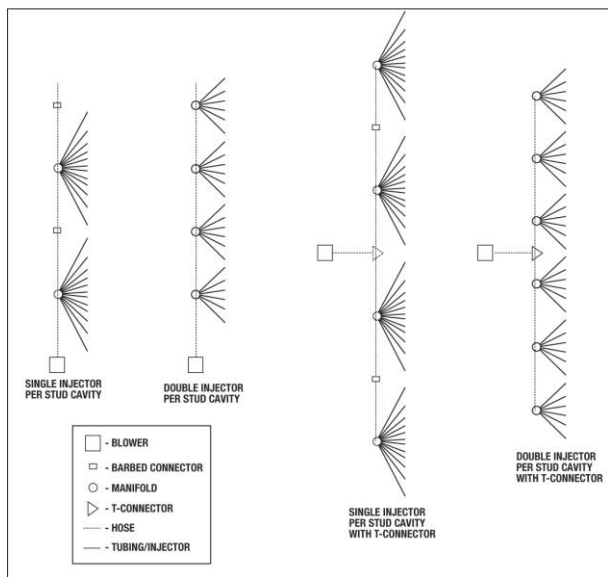
El ADS se conecta a la salida del ventilador DriForce y luego a un colector con un brazaletes de manguera estándar. Los tubos de suministro van desde el colector hasta los inyectores que se insertan en una pared u otra cavidad estructural.

suelo. Se puede usar un localizador electrónico de montantes para detectar pernos y encontrar el centro de la cavidad.

Los agujeros más grandes llevan más tiempo para ser tapados y pueden disminuir la eficiencia debido a la fuga de aire. Trate de reducir la necesidad de posteriores reparaciones, ubicando los orificios detrás de las bases con revestimientos de caucho o bien detrás de los cortes que fácilmente pueden volver a ser colocados cubriendo los orificios.

Listones de Acero

Los listones de acero son comunes en la arquitectura



El diagrama muestra dos líneas ADS internas (izq.), y dos líneas dobles que van desde una conexión en T. También muestra diseños de tubos para uno o dos inyectores en cada cavidad de la pared.

comercial. Se encuentran sobre un canal que puede albergar gran cantidad de agua. Para acceder a estas áreas, perforo orificios a una 1/2 pulgada del suelo en un ángulo hacia abajo. Tenga cuidado de no sumergir los extremos de los tubos en el agua estancada que pueda estar presente.

Techos y Gabinetes

Las maderas de mayor tamaño y las cavidades estructurales en techos requerirán de mayor flujo de aire para secar adecuadamente. La humedad debajo y detrás de gabinetes puede ser difícil de detectar, pero lo más seguro es que haya humedad en caso de que haya fluido agua desde la parte posterior de estas estructuras. Asegúrese de dar la mayor cantidad de flujo de aire posible. Si no puede acceder correctamente a todos los espacios interiores, puede ser necesario retirar los gabinetes.

AVISO: No utilice el DriForce para extraer agua líquida ni desechos de cualquier índole. Esto puede dañar la unidad y anular la garantía.

Configuración del Ventilador DriForce

El ventilador DriForce está equipado con una salida del soplador, una entrada de aspiración, un interruptor y un cable de alimentación. Conecte la unidad a una toma de 115 V para 15 amperes con adecuada puesta a tierra.

Fije las mangueras de aspiración a la entrada de la aspiradora y/o a la salida del ventilador.

Ubique el ventilador DriForce fuera de áreas de alto tráfico para minimizar el riesgo de tropiezos y caídas.

NOTA: El silenciador/filtro suministrado con el DriForce sólo debe ser instalado cuando se utilice el equipo en el modo de inyección de aire (ventilador) descrito en la Fase 2 (a continuación). No active el silenciador-filtro cuando se utilice el DriForce en modo de extracción de aire (Fase 1). El filtro no está diseñado para ser utilizado en el lado la de entrada del DriForce (de aspiración).

Encienda y apague el equipo mediante el interruptor de palanca que se encuentra en la base de la unidad.

Ajuste del Sistema de Secado por Aire (ADS)

Configuración del Colector

Determine la cantidad de colectores necesarios para el trabajo. La siguiente configuración entregará de 25 a 30 cambios de aire por hora en cada cavidad, lo cual resulta eficaz para la mayoría de las situaciones. Use una fórmula de un colector (cada colector tiene 12 inyectores) por cada 14 pies de pared enmarcada de interior de 2 x 4. Para paredes enmarcadas exteriores de 2 x 6, muros comunes en apartamentos y condominios, muros dobles antiplama y paredes firmes o recubiertas con materiales resistentes al agua, usar una fórmula de un colector (12 inyectores) para cada 7 pies de pared.

Después de determinar la cantidad y la longitud de los conjuntos de mangueras y colectores, configure el sistema ADS. El montaje previo de los colectores, tuberías e inyectores le ahorrará un tiempo considerable.

Configuración del tubo de alimentación

Se proveen dos tuberías de suministro de aire ID de 200 pies (61 m) de 3/8 pulg. (0,375 mm). Esta tubería puede ser cortada con un cuchillo o con tijeras resistentes. Recomendamos el corte de las tuberías a las siguientes longitudes para lograr una configuración adecuada para la mayoría los trabajos estándares de secado de paredes:

1. Establezca TRES colectores con las siguientes longitudes de tubería:

Colector N°	Cantidad de tuberías	Longitud de la tubería	Ubicaciones de la tubería en las salidas del colector
1	4	4 pies 1,2 m	Salidas 1, 2, 11 y 12
2	4	3½ pies 1 m	Salidas 3, 4, 9 y 10
3	4	1 pie 30 cm	Salidas 5, 6, 7 y 8

2. Configure los CINCO colectores restantes con las siguientes longitudes de tuberías:

Colector N°	Cantidad de tubería	Longitud de la tubería	Ubicaciones de la tubería en las salidas del colector
4	2	7½ pies. 2,3 m	Salidas 1 y 12
5	2	6½ pies 2,0 m	Salidas 2 y 11
6	2	5½ pies 1,7 m	Salidas 3 y 10
7	2	4½ pies 1,4 m	Salidas 4 y 9
8	2	2½ pies 0,8 m	Salidas 5 y 8
9	2	1 pie 30 cm	Salidas 6 y 7

Para instalar la tubería, deslice uno de los extremos sobre la boquilla de salida del colector e inserte un inyector en el otro extremo. Sellar firmemente con un tapón el último colector en cada ejecución de ADS. Ahora coloque los inyectores en los agujeros que ha perforado o taladrado en la pared, gabinete u otra estructura.

Asegúrese de que todos los conectores en T, puños de mangueras, colectores, líneas de suministro e inyectores están instalados correctamente. Fije el ADS al DriForce. Enchufe el DriForce y enciéndalo por un instante, verificando que las conexiones no tengan fugas de aire. Si es necesario, utilice una abrazadera para sellar cualquier fuga en los lugares en donde los productos de vinilo conectan con las sujeciones de las mangueras, etc.

Procedimiento de Secado

Fase 1: Secado por Extracción de Aire (aspirado)

Fije los ADS a la toma de aspiración de la unidad del soplador DriForce y encienda la unidad.

Utilice el modo de extracción de aire (aspiradora) para extraer el aire húmedo de las cavidades estructurales.

Operar en la Fase 1 hasta que la humedad del aire que se extrae de la zona afectada sea similar a la de un área de trabajo no afectada. Puede utilizar un higrómetro para comparar las lecturas de humedad relativa entre la salida de la DriForce y sus alrededores.

NOTA: Asegúrese de colocar la manguera de aspiración a la salida del DriForce y de orientar el escape hacia afuera de la estructura. En el modo de extracción de aire, no utilice el silenciador-filtro provisto con el DriForce. No es un filtro HEPA y puede no llegar a capturar adecuadamente los contaminantes que ingresen en el DriForce. Utilice el silenciador-filtro sólo en el modo de inyección (soplador), que se describe a continuación.

Fase 2: Secado por Inyección de Aire (Ventilador)

Coloque los ADS de la aspiradora a la salida de presión del DriForce, instale el silenciador-filtro en la entrada de aire y encienda la unidad.

Una vez que la humedad en el interior de la cavidad estructural sea igual a la del ambiente, será el momento de cambiar al modo de inyección de aire. Inyectar aire ambiente en las cavidades estructurales ayudará a continuar el proceso de secado. Esto es especialmente cierto si se permite la deshumidificación del aire del espacio.

CONSEJO: Al secar el interior de las paredes, utilice un taladro para generar un pequeño orificio de ventilación justo por encima del punto más alto de humedad en la pared. Esto permitirá un orificio de ventilación y ayudará a acelerar el proceso de secado al permitir un mayor flujo de aire a través de los materiales afectados. Luego podrá ser fácilmente parcheado.

CONSEJO: Para maximizar el secado en paredes revestidas, con azulejos, doble capa, empapeladas con vinilo o con pintura impermeable, paredes de listones y yeso, antiflammas y paredes aisladas, coloque un inyector adicional por cada pie lineal.

CONSEJO: Acelere el secado con deshumidificadores. Para incrementar la velocidad de secado durante la Fase 2, utilice un deshumidificador para suministrar aire seco directamente al DriForce. Coloque la salida de aire seco de un deshumidificador cerca de la entrada de aire del DriForce, o dirija por un conducto la salida del deshumidificador hacia la entrada del DriForce. Los deshumidificadores desecantes son especialmente útiles para este propósito, ya que el aire extremadamente seco que generan puede acelerar el secado de materiales y conjuntos de alta densidad.

AVISO: NO pegar con cinta ni sellar los conductos del deshumidificador a la entrada DriForce, ya que podría desequilibrar el flujo de aire a través del deshumidificador y posiblemente dañarlo.

Control del Olor y del Moho

Si usted sospecha que dentro de las cavidades se puede estar generando hongos y moho, siga los procedimientos industriales y normas de seguridad para su eliminación.

MANTENIMIENTO

ADVERTENCIA: Antes de cualquier tarea de mantenimiento o limpieza desenchufe la unidad

Según sea necesario

Compruebe la entrada y salida de la unidad DriForce para ver si presentan obstrucciones o desechos después de cada uso.

Inspeccione el silenciador-filtro y límpielo si es necesario, aspirándolo o lavándolo. Compruebe colectores, tuberías, inyectores y otros componentes del ADS, y reemplácelos de ser necesario.

Limpie el exterior de los componentes del DriForce y del ADS con un limpiador de vinilo y un protector.

A través de su distribuidor de Dri-Eaz estarán disponibles repuestos, servicios, mantenimiento y garantía.

ESPECIFICACIONES

InterAir Sistema de Secado DriForce (F211)	
UNIDAD BASE	
Dimensiones (A x A x P)	14 x 14 x 12 pulg. 35 x 35 x 30 cm
Amperaje	5,4 amperios
Potencia	115V / 60Hz
Flujo de aire total del sistema (máx.)	100 CFM 2,3 CMM
Presión de trabajo estático (elevación de agua)	38 pulg. 97 cm
Peso (sólo la unidad base)	14,5 libras. 6,3 kg
Seguridad	ETL listado UL 507 y CSA C22.2 N° 113
SISTEMA DE ENTREGA DE AIRE (ADS)	
Tubería ADS anti-aplastamiento	91 pies (28 m). Tubería de 1½ pulg. (3,8 cm). Pre-cortada en 13 secciones de 7 pies (2 m).
Tamaño del orificio de inyector	Menos de ¼ pulg. (6 mm)
Tubería flexible	400 pies (122 m). Tubería ID de ¾ pulg (0,375 mm)
Sistema de transporte / guardado	2 bolsos de lona estilo maleta con manija y ruedas
Modos de secado	Por presión, ya sea positiva o negativa
Piezas incluidas	100 inyectores, 8 colectores (de 12 salidas cada uno), 4 tapas de colectores, 4 accesorios de acoplamiento, 2 abrazaderas, 2 accesorios-T, 13 montajes de manguera con puños, 25 conexiones extensoras de tuberías, 1 silenciador.

Le système de séchage à l'air DriForce InterAir permet au restaurateur de diriger de l'air haute pression dans les murs humides derrière les placards et dans les structures difficiles d'accès avec un déplacement minimum des matériaux. Ce système favorise un séchage rapide et efficace de tous les types d'assemblages et de matériaux.

Brevets : www.LBpatents.com

LIRE ET CONSERVER CES INSTRUCTIONS



AVERTISSEMENT! Pour réduire le risque d'incendie ou de choc électrique, n'utilisez pas ce ventilateur avec un régulateur de vitesse à semi-conducteurs.

AVERTISSEMENT! L'unité doit être mise à la terre. N'utilisez pas de rallonge. Branchez seulement sur une prise fournie avec un disjoncteur de fuite de terre.

AVERTISSEMENT! Ne touchez pas les grilles lorsque l'unité fonctionne.

ATTENTION : Conservez le moteur au sec. Pour un usage intérieur seulement.

ATTENTION : Débranchez l'unité lorsqu'elle n'est pas utilisée ou lorsqu'elle est déplacée.

AVERTISSEMENT : Ne laissez pas les enfants jouer avec ou autour de l'unité. Assurez-vous que l'unité n'est jamais accessible aux enfants sans surveillance.

ATTENTION : Utilisez toujours l'unité sur une surface stable et de niveau pour éviter une chute qui pourrait entraîner des blessures.

AVERTISSEMENT! Ne modifiez jamais votre produit Dri-Eaz. Utilisez seulement des pièces de rechange autorisées par Legend Brands Restoration, Inc. Les modifications ou l'utilisation de pièces non appropriées peuvent entraîner un risque et annuler votre garantie. Communiquez avec votre distributeur Dri-Eaz pour obtenir de l'aide.

COMPOSANTS DU SYSTÈME DE SÉCHAGE À L'AIR DRIFORCE (ADS)

Tubes ADS
(91 pi)

Unité DriForce

Collecteur T-
connecteurs
(x2)

Silencieux /filtre
DriForce

Injecteurs (x100)



Sacs de transport
(x2)

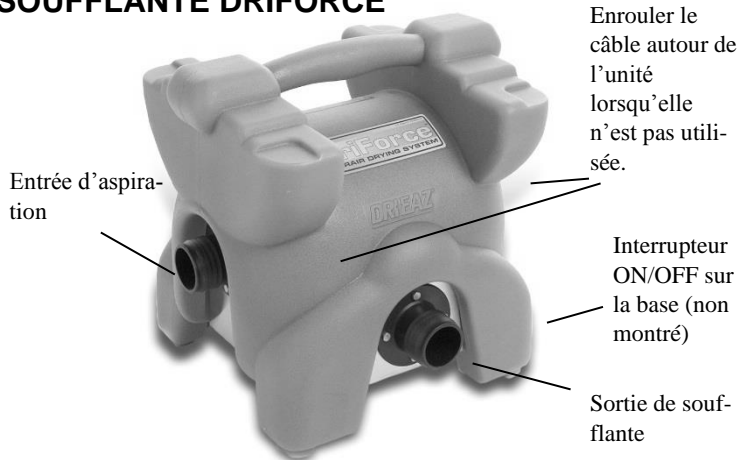
Tuyau indéfor-
mable (treize
sections
7 pi/2 m)

Raccords canne-
lés (x5)

Embouts de col-
lecteur (x4)

Collecteurs (x8)

SOUFFLANTE DRIFORCE



AVERTISSEMENT!

a) Ne faites pas fonctionner un ventilateur avec un câble ou une prise endommagée. Mettez le ventilateur au rebut ou retournez-le à un service après-vente agréé pour examen et/ou réparation.

b) N'acheminez pas le câble sous une moquette. Ne couvrez pas le câble avec un tapis ou autre. Ne faites pas passer le câble sous des meubles ou des appareils. Éloignez le câble des zones de passage pour éviter qu'on ne marche dessus.



ADVERTENCIA: Este producto y otras sustancias que pueden desprenderse del aire por su uso contienen productos químicos, entre ellos plomo y ftalatos, que el estado de California sabe que causan cáncer, defectos congénitos u otros daños durante la gestación. Para obtener más información, visite P65Warnings.ca.gov.

AVANT DE COMMENCER

Enregistrement de la garantie

Veillez visiter le site warranty.drieaz.com pour enregistrer votre achat. L'enregistrement nous permet de mieux vous assister avec l'utilisation, l'entretien ou la réparation de votre équipement et de vous contacter si nous avons des informations de sécurité importantes à vous communiquer concernant votre produit Dri-Eaz. Si vous estimez qu'une réparation est nécessaire, notez le modèle de l'équipement, le numéro de série et ayez en main la preuve d'achat d'origine avant d'appeler votre distributeur pour assistance et obtenir une autorisation de retour de matériel (RMA).

MODE D'EMPLOI

IMPORTANT : Prélevez l'eau stagnante avant de tenter de sécher. N'UTILISEZ PAS le DriForce pour extraire l'eau stagnante.

Outils

Crayon, mètre-ruban, couteau à lame de rasoir, spatule pour cloison sèche, petit levier, pied-de-biche, tournevis, poinçon tête ronde, perceuse avec foret de 3/16 po. Un détecteur de montant électronique est aussi utile.

Préparation des murs, des placards et autres ensembles pour le séchage

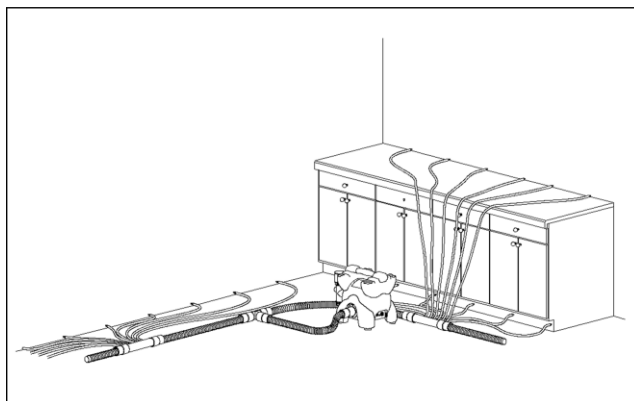
Murs

Le séchage des murs avec un système de séchage à l'air peut se faire avec ou sans les plinthes. Après avoir inspecté les murs, l'isolation et les plinthes et évalué les finitions de peinture, procédez de la manière la plus économique pour le client.

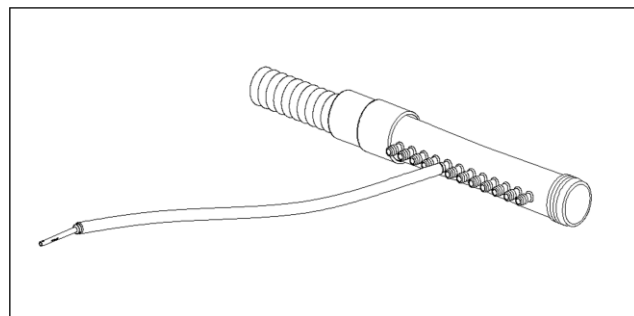
Retirez la plinthe ou la plinthe à gorge. Utilisez d'abord un couteau à lame de rasoir le long de la plinthe, en contact avec le mur, pour éviter d'endommager les surfaces peintes et faciliter la réinstallation. Lorsque vous séparez la plinthe du mur, protégez la surface du mur en insérant une spatule pour cloison sèche entre le levier et le mur. Retirez les clous restants du mur, ou par l'arrière de la plinthe. Inscrivez un chiffre sur le mur de la plinthe correspondante pour pouvoir la réinstaller ensuite au bon endroit. Toutefois, pour réussir le séchage, il suffit de faire les pénétrations dans le mur immédiatement au-dessus de la plinthe et de procéder au séchage avec les plinthes en place. C'est une procédure nécessaire si l'on veut protéger un mur dont le bas est carrelé et si l'on veut éviter de détacher les plinthes du mur.

Faire des trous d'accès d'air

Faites des trous avec un poinçon ou utilisez une perceuse avec un foret de 3/16 po. Faites au moins un trou entre chaque groupe de montants et à environ 5 cm du sol. Vous pouvez aussi utiliser un détecteur de montant électronique pour localiser les montants et trouver le centre de la cavité.



Le DriForce et le système de séchage à l'air peuvent distribuer de l'air aux cavités structurales dans les murs, les plafonds, en dessous et au-dessus des placards et plusieurs autres endroits.



Le système ADS se raccorde à la sortie de la soufflante DriForce et est relié à un collecteur avec un manchon de tuyau standard. Les tubes d'approvisionnement relient le collecteur et les injecteurs qui sont insérés dans un mur ou une autre cavité structurale.

Les trous plus grands sont plus compliqués à boucher, et l'efficacité peut être réduite à cause des fuites d'air. Pour éviter d'avoir à faire des réparations futures, faites les trous derrière la plinthe à gorge ou derrière la bordure qui peut être facilement réinstallée par-dessus les trous.

Montants en acier

Les montants en acier sont fréquents dans les immeubles commerciaux. Ils sont placés dans un rail qui peut contenir des volumes d'eau importants. Pour accéder à ces endroits, percez des trous à environ 1,5 cm du sol à un angle descendant. Faites attention, néanmoins à ne pas immerger les embouts des tubes dans de l'eau stagnante qui peut être présente.

Plafonds et placards

Les dimensions des pièces en bois plus importantes et des cavités structurales dans les plafonds nécessitent un flux d'air plus important pour obtenir un séchage correct.

Il peut être difficile de détecter l'humidité en dessous et derrière les placards, mais il vaut mieux supposer qu'une humidité est présente si une conduite d'eau a traversé ces ensembles. Assurez-vous de fournir autant d'air que possible. Si vous ne parvenez pas à accéder correctement aux espaces intérieurs, il peut être nécessaire de retirer les placards.

ATTENTION : N'utilisez pas le DriForce pour extraire de l'eau ou retirer des débris en tous genres. Cela peut endommager l'unité et annuler la garantie.

Installation de la soufflante DriForce

La soufflante DriForce est équipée d'une sortie de soufflante, une entrée d'aspiration, un interrupteur d'alimentation et un câble d'alimentation. Branchez l'unité sur une prise 115 V correctement mise à la terre et d'une capacité nominale de 15 ampères.

Connectez les tuyaux d'aspiration à l'entrée d'aspiration ou la sortie de soufflante.

Réglez la soufflante DriForce à l'écart des zones passantes pour minimiser les risques de chute causés par la soufflante et le système ADS.

REMARQUE: Le silencieux/filtre fourni avec le DriForce doit seulement être installé lorsque le DriForce est utilisé en mode d'injection d'air (soufflante), décrit dans la Phase 2 ci-dessous. N'utilisez pas le silencieux-filtre en combinaison avec le DriForce en mode d'extraction d'air (Phase 1). Le filtre n'est pas destiné à être utilisé sur le côté d'entrée (aspiration) du DriForce.

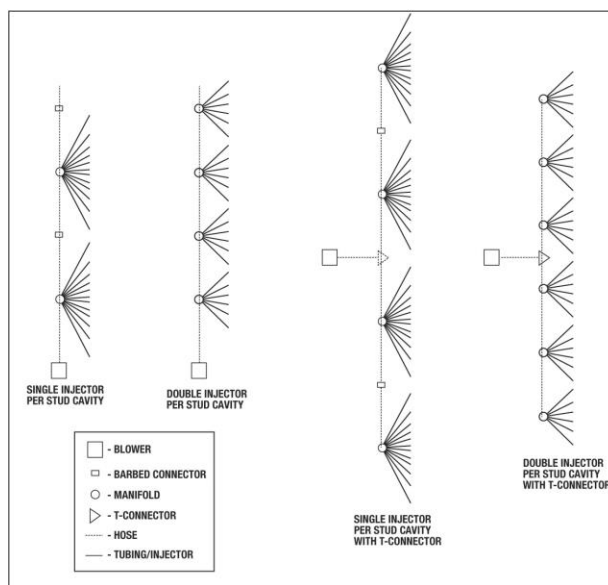
Mettez sous/hors tension avec l'interrupteur à bascule, qui se trouve à la base de l'unité.

Préparation du système de séchage à l'air (ADS)

Configuration de collecteur

Déterminez le nombre de collecteurs nécessaires pour la tâche. La configuration suivante délivre 25 à 30 échanges d'air par heure dans chaque cavité, ce qui est efficace dans la majorité des cas. Suivez le principe d'un collecteur (chaque collecteur a 12 injecteurs) pour chaque section de 4 m de cloison intérieure de 2 x 4.

Pour les cloisons extérieures 2 x 6, les murs communs dans les appartements et copropriétés, les murs pare-feu à



Le schéma montre deux lignes ADS internes (gauche) et deux lignes doubles ADS depuis un raccord en T. Il montre aussi la disposition des tubes pour un ou deux injecteurs dans chaque cavité du mur.

double paroi et les murs denses ou recouverts d'un enduit résistant à l'eau, suivez le principe d'un collecteur (12 injecteurs) pour chaque section de 2 m.

Après avoir déterminé le nombre et la longueur des ensembles de tuyaux et de collecteurs, configurez le système ADS. Le pré-assemblage des collecteurs, des tubes et des injecteurs permet d'économiser un temps précieux.

Configuration des tubes d'approvisionnement

Des tubes d'acheminement d'air de deux longueurs de 200 pi (61 m) et de diamètre 3/8 po (0,375 mm) sont fournis. Vous pouvez couper les tubes à la longueur voulue avec des ciseaux robustes ou un couteau utilitaire. Nous recommandons les longueurs de tube suivantes pour obtenir une configuration appropriée pour la plupart des travaux ordinaires de séchage de mur :

1. Préparer TROIS collecteurs avec les longueurs de tube suivantes :

Col-lecteur n°	Quantité de tubes	Longueur des tubes	Emplacements des tubes sur les sorties de collecteur
1	4	4 pi 1,2 m	Sorties 1, 2, 11 et 12
2	4	3½ pi 1 m	Sorties 3, 4, 9 et 10
3	4	1 pi 30 cm	Sorties 5, 6, 7 et 8

2. Préparer les CINQ autres collecteurs avec les longueurs de tube suivantes :

Collecteur n°	Quantité de tubes	Longueur des tubes	Emplacements des tubes sur les sorties de collecteur
4	2	7½ pi 2,3 m	Sorties 1 et 12
5	2	6½ pi 2,0 m	Sorties 2 et 11
6	2	5½ pi 1,7 m	Sorties 3 et 10
7	2	4½ pi 1,4 m	Sorties 4 et 9
8	2	2½ pi 0,8 m	Sorties 5 et 8
9	2	1 pi 30 cm	Sorties 6 et 7

Pour installer les tubes, glissez l'extrémité des tubes sur le raccord de sortie de collecteur et insérez un injecteur dans l'autre extrémité.

Scellez hermétiquement le dernier collecteur sur chaque section d'ADS avec un bouchon obturateur. Puis placez les injecteurs dans les trous que vous avez percés ou perforés dans le mur, le placard ou autre assemblage.

Assurez-vous que tous les raccords en T, les manchons de tuyau, les collecteurs, les conduites d'alimentation et les injecteurs sont correctement installés. Reliez le système ADS au DriForce. Branchez le DriForce et mettez-le brièvement sous tension, en vérifiant l'absence de fuite d'air sur tous les raccords. Si nécessaire, utilisez un collier de serrage pour prévenir une fuite d'air là où les produits en vinyle sont reliés aux raccords cannelés, etc.

Procédure de séchage

Phase 1 : Séchage par extraction de l'air (aspiration)

Raccordez le système ADS à l'entrée d'aspiration de la soufflante DriForce et mettez l'unité sous tension.

Utilisez le mode d'extraction d'air (aspiration) pour extraire l'air humide des cavités structurales.

Procédez à la Phase 1 jusqu'à ce que l'humidité de l'air extrait de la zone affectée soit environ du même niveau que l'humidité présente dans une zone non affectée de la tâche. Vous pouvez utiliser un hygromètre pour comparer les relevés RH entre la sortie du DriForce et la zone environnante.

REMARQUE : N'oubliez pas de raccorder le tuyau d'aspiration à la prise du DriForce et de diriger l'air évacué à l'extérieur de la structure. N'utilisez pas le silencieux-filtre fourni avec le DriForce en mode d'extraction d'air.

Ce filtre n'est pas de classe HEPA et ne capturera pas correctement les contaminants qui peuvent être aspirés dans le DriForce. Utilisez le silencieux-filtre seulement en mode d'injection (soufflante), décrit ci-dessous.

Phase 2 : Séchage par injection d'air (soufflante)

Raccordez le système ADS à la sortie de soufflante du DriForce, posez le silencieux-filtre sur l'entrée d'air et mettez l'unité sous tension.

Lorsque le niveau d'humidité à l'intérieur de la cavité structurale est égal à celui de l'humidité dans la pièce, il faut passer en mode d'injection d'air. Le fait d'injecter de l'air ambiant dans les cavités structurales aide à poursuivre le processus de séchage. C'est particulièrement vrai si vous déshumidifiez l'air ambiant.

ASTUCE : Lorsque vous séchez des murs intérieurs, utilisez un poinçon ou une perceuse pour former de petits trous d'aération placés juste au-dessus du point d'humidité la plus élevée dans le mur. Ce point d'aération permettra d'accélérer le processus de séchage grâce à un débit d'air élevé à travers les matériaux affectés. Un petit trou est facile à boucher par la suite.

ASTUCE : Pour maximiser le séchage des murs recouverts de boiseries, carrelés, à double paroi ou recouverts de vinyle ou de peinture imperméable, ainsi que pour les parois en lattes, les murs plâtrés, isolés et les murs pare-feu, placez des injecteurs supplémentaires par pied linéaire.

ASTUCE : Accélérez le séchage avec des déshumidificateurs. Pour augmenter les taux de séchage durant la Phase 2, utilisez un déshumidificateur pour délivrer de l'air sec directement dans le DriForce. Positionnez la sortie d'air sec d'un déshumidificateur près de l'entrée d'air DriForce ou orientez la sortie du déshumidificateur vers l'entrée du DriForce. **Les déshumidificateurs dessiccateurs sont particulièrement utiles à cette fin**, car l'air extrêmement sec qu'ils produisent peut accélérer le séchage des matériaux denses et des assemblages.

ATTENTION : NE fixez pas ou ne scellez pas le conduit du déshumidificateur à l'entrée DriForce car cela peut entraîner un déséquilibre du flux d'air dans le déshumidificateur et éventuellement l'endommager.

Contrôle des odeurs et de la moisissure

Si vous pensez que de la moisissure peut se former à l'intérieur des cavités, suivez les normes de sécurité et les mesures appropriées pour remédier aux moisissures.

MAINTENANCE

AVERTISSEMENT : Débranchez toujours l'unité avant de la réparer ou de la nettoyer

Au besoin

Vérifiez l'entrée et la sortie de l'unité DriForce pour des obstructions ou des débris après chaque utilisation.

Inspectez le silencieux-filtre et nettoyez si nécessaire par aspiration ou lavage. Vérifiez les collecteurs, les tubes, les injecteurs et les autres composants ADS, et remplacez si nécessaire.

Nettoyez l'extérieur du DriForce et des composants ADS avec un nettoyeur vinyle et un produit de protection.

Les pièces et des informations sur l'entretien, la maintenance et la garantie sont disponibles auprès de votre distributeur Dri-Eaz.

CARACTÉRISTIQUES TECHNIQUES

Système de séchage DriForce InterAir (F211)	
UNITÉ DE BASE	
Dimensions (H x L x P)	14 x 14 x 12 po 35 x 35 x 30 cm
Intensité de courant	5,4 A
Alimentation	115V / 60Hz
Flux d'air total du système (max.)	100 PCM 2,3 MCM
Pression statique de fonctionnement (élévation d'eau)	38 po 97 cm
Poids (unité de base seulement)	14,5 lb 6,3 kg
Sécurité	ETL classifié UL 507 et CSA C22.2 No. 113
SYSTÈME D'ACHEMINEMENT D'AIR (ADS)	
Tubes ADS indéformables	91 pi (28 m) de tubes de diamètre de 1½ po (3,8 cm). Prédécoupé en treize sections de 7 pi (2 m).
Taille de trou d'injection	Moins de ¼ po (6 mm)
Tubes flexibles	400 pi (122 m) de tubes de diamètre intérieur ¾ po (0,375 mm)
Matériel de transport/rangement	2 sacs-valises avec poignées et roulettes
Modes de séchage	Pression positive ou négative
Pièces incluses	100 injecteurs, 8 collecteurs (12 sorties chaque), 4 embouts de collecteur, 4 raccords de couplage, 2 colliers de serrage, 2 raccords en T, 13 ensembles de tuyaux avec manchons, 25 raccords de rallonge pour tube, 1 silencieux.