

WolfPack Parts Price List

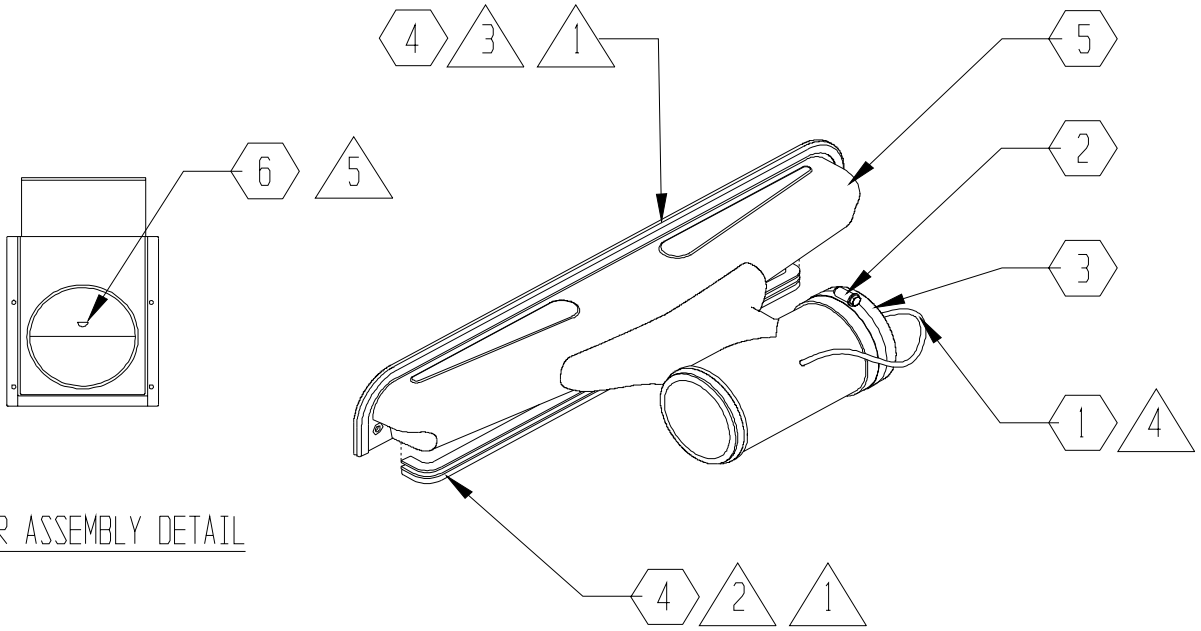
(Model: F243)

Symbol Definition

- * - multiple components to choose from for different models: voltage, size, color, et
- + - if you order this item, you may need to order additional items marked with same number of +'s in order to upgrade or complete repair

Part Description		Specifications/Model	Part #	Qty
3	Vinyl Cap	N Black 3.88-1.25-.08 x .090W Vinyl Blk	03-00044	ea. 3
	Nut	#6-32 Nyloc Thin Zp (Damp Assy)	03-00051	ea. 4
	Screw	#6 x 1.625 Drywall (#6 x 1 5/8")	03-00069	ea. 9
2	Clamp	Hose 4" SS	03-00070	ea. 5
	Screw	#6-32 x 1/2 Slit Hwh Zp Blk (Damp Assy)	03-00103	ea. 4
	Nut	1/4-20 x .120 Flush Insert Hex SS (Inset)	03-00122	ea. 2
	Bag	35 x 14 x 16 Corner, Wheeled Duffle Blk	06-00077	ea. 1
	Bag	Bag- 20 x 30 Poly 4 Mil	06-00078	ea. 1
	Box	39.625 x 11.625 x 16.5 250 Ck Rsc	06-00079	ea. 1
	Warranty Card		07-00309	ea. 1
	Manual	Owners, Wolfpack Drying System	07-00356	ea. 1
	Bracket	3/16 Zinc plated Wire (Damp Assy)	13-00049	ea. 2
1	Bungee Cord	N 5/32 OD Blk	13-00055	ea. 3
5	Mini Turbovent	N 24 Poly Black (raw part)	13-00056	ea. 3
6	Damper Assy	N 4 Dia Abs Black	13-00114	ea. 1
	Ducting	4 Dia Fspv Yel w/clamps 30"	13-00121	ea. 4
	Ducting	4 Dia Fspv Yel w/boot and clamp 46"	13-00122	ea. 1
	Channel	1.5 x .74 x 14" 'L' Pvc	13-00123	ea. 6
	Fitting	4.0 x 4.0 x 4.0 Tee Pvc	13-00124	ea. 1
	Coupling	4.0 x 4.0 Pvc	13-00125	ea. 1
	Gasket	1.0 Bulb Polyfoam (Backer Rod)	13-00126	ea. 10'
4	Trim	N 4100-1/8-A	13-00746	ft. 12.5'

WolfPack Pictorial Drawing



DAMPER ASSEMBLY DETAIL

MINI TURBOVENT ASSEMBLY

F243A VENT PORTION