

DrizAir 1200 Dehumidifier (410-A Refrigerant version)

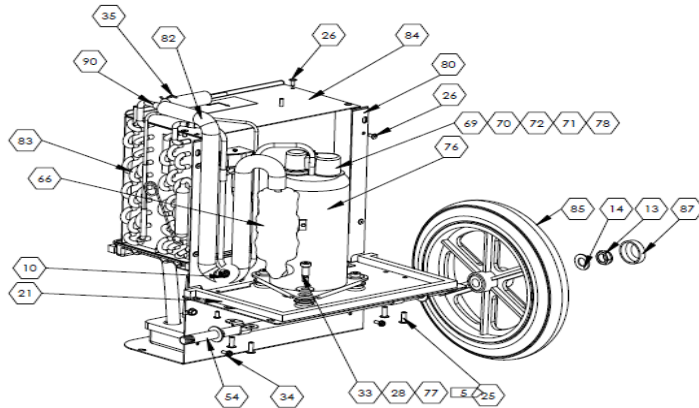
Model: 104677 (F203-A)

Symbol Definition

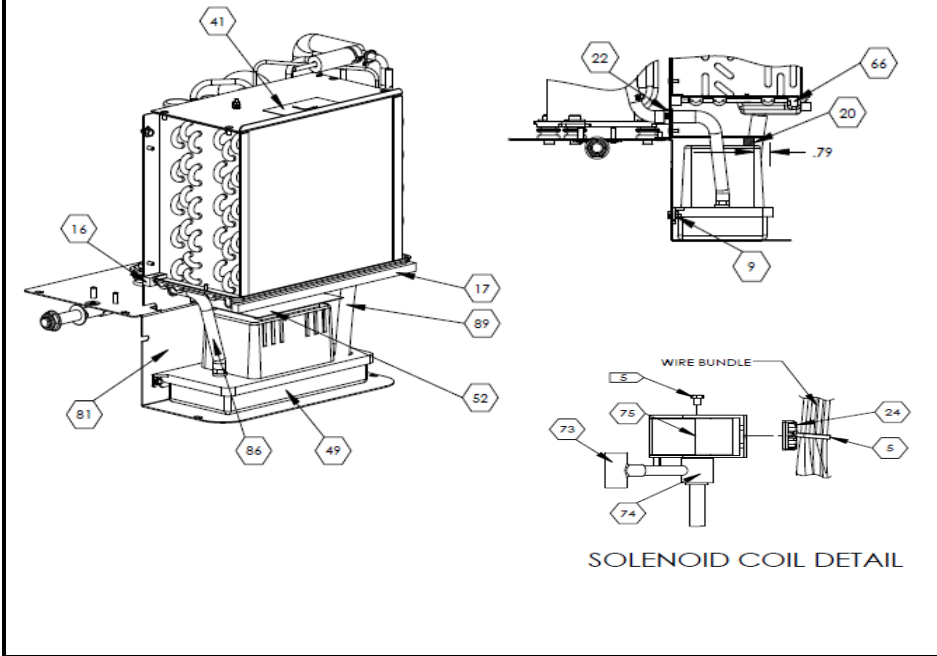
Find #	Part Description	New Part #	Old Part #	Uom	Qty
	CHECK VALVE - CONDENSATE PUMP (TWIST-LOCK)	126325	N/A	Each	1
	CHECK VALVE - CONDENSATE PUMP (SCREW IN)	102757	08-01813	Each	1
1	CAPACITOR - 45MFD 370V 1.75 DIA ROUND W/MTG BRKT	103443	02-00155	Each	1
2	TERMINAL BLOCK - GP 6 X 6 X 8 X 4 QC	113693	02-00157	Each	1
3	STRAIN RELIEF - SNAP .360 DIA BLK	113465	02-00218	Each	1
4	WASHER - RIVET .256ID X .62OD X .062THK ZP	114783	03-00001	Each	8
5	CABLE TIE - 4 NYLON	102216	03-00012	Each	6
6	NUT - 8-32 NYLOC ZP	109615	03-00015	Each	2
7	SCREW - #8 X 1/2 PHIL PH ZP	112357	03-00023	Each	14
8	PLUG - HOLE 1.13 DIA NYLON BLK	110668	03-00027	Each	1
9	NUT - #10-24 W/STAR WASHER ZP	123051	03-00038	Each	8
10	BUSHING - .390 ID X .562 X .406 SPLIT NYLON BLK	102175	03-00050	Each	1
11	SCREW - #10 X 3/8 AB SLT SER HWH ZP BLK	112341	03-00079	Each	2
12	SCREW - 1/4-20 X 3/8 HWH NYLOC ZP	112428	03-00105	Each	14
13	NUT - 5/8-11 UNC THIN ZP	111311	03-00113	Each	2
14	WASHER - 5/8 AN .63 ID X 1.187 OD X .06 SS	114776	03-00114	Each	4
15	SCREW - 1/4-20 X 1.75 SER HWH ZP	114461	03-00118	Each	2
16	GASKET - 1/2 X 1/2 POLYURETHANE PSA	105177	03-00121	Foot	12.3
22	BUSHING - .671 ID X.875 X.41 SPLIT NYLON BLK	103276	03-00126	Each	2
23	RIVET - 1/4 X 3/4 STL/STL ZP	112091	03-00135	Each	6
24	MOUNTING PAD - NYLON TIE 3/4 X 4 WAY PSA	111121	03-00141	Each	1
25	RIVET - 1/4 X 1/4 STL/STL ZP	111942	03-00208	Each	4
26	RIVET - 3/16 X 1/4 STL/STL BLK	111944	03-00432	Each	16
27	CLAMP - 3/8 ID HOSE GRN	110192	03-00471	Each	1
28	WASHER - 3/8 USS .43 ID X 1.00 OD X .08 ZP	115108	03-00506	Each	3
29	PUSH MOUNT - NYLON TIE	111584	03-00771	Each	1
30	CABLE TIE - 11 NYLON	109098	03-00813	Each	1
31	RIVET - 1/8 X 1/8 AL/AL	111943	03-00901	Each	2
32	SCREW - #8-32 X 1/4 TF SER HWH ZP	119379	03-00962	Each	2
33	BOLT - SHOULDER 5/16-18 X 3/8 X 3/4	101797	03-01427	Each	3
34	SCREW - #10-24 X 1/2 SLT HWH ZP	112339	03-01429	Each	2
35	CABLE TIE - 6 NYLON	103298	03-01463	Each	1
36	CLAMP - HOSE .5 BLK	103595	03-01481	Each	1
37	RIVET - 5/32 X 1/4 TRI FOLD AL/AL BLK	123076	03-01487	Each	5
38	PLATE - STRAIN RELIEF PC WR BLK VORTEX	112385	04-00052-01	Each	1
44	PACKAGING ASSEMBLY - 115V DRIZAIR 1200	109860	07-01520	Each	1
48	DUCT RING - 6 DIA ABS BLK DZ2400	115073	08-00157	Each	1
49	PUMP- CENTRIFUGAL 115V 80 GPH 5 FT CORD	111503	08-00177	Each	1
50	COVER - POLYETHYLENE FISHER BLU DZ1200	104060	08-00205S	Each	1
51	REAR PANEL - POLYETHYLENE FLINT GRY DZ1200	111785	08-00206S	Each	1
52	SHIELD - PUMP GALV STL DZ1200	114837	08-00209	Each	1
53	SHROUD - FILTER PC WR BLK DZ1200	119513	08-00210-01	Each	1

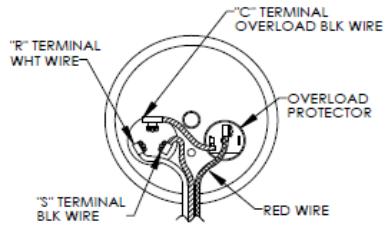
Find #	Part Description	Part #	Part #	Uom	Qty
54	AXLE ASSY - 5/8 OD X 20.29 ZP DZ1200	101310	08-00212-01	Each	1
55	HOSE WRAP - .250 PREGALV WIRE PC WR BLK DZ1200	117405	08-00214-01	Each	2
56	PANEL - LOWER ELECTRICAL BOX GALV STL DZ1200	109784	08-00219	Each	1
57	PANEL - UPPER ELECTRICAL BOX GALV STL DZ1200	109787	08-00220	Each	1
58	SHIELD - MOTOR GALV STL DZ1200	113021	08-00221	Each	1
60	POWER CORD ASSY - 16/3 SJTW 5-15P 25FT DZ1200	111062	08-00226	Each	1
61	KIT - BLOWER RETROFIT F203-A	122846	122846	Each	1
62	CONTROL PANEL ASSY - MICRO CONTROLLER 115V/230V D	103238	08-00259S	Each	1
63	SENSOR CABLE ASSY - MICRO CONTROLLER TEMP DEFROS	119488	08-00260	Each	1
65	INSULATION - CORK TAPE 2 X .13	106557	08-00784	Foot	2.67
66	DRIP TRAY - POLYETHYLENE FLINT GRY DZ 1200	103799	08-01519S	Each	1
68	HANDLE - FIXED PC WR BLK DZ1200	105455	08-01524-01	Each	1
69	COVER - COMPRESSOR TERMINAL - 115V LG 8600-R410A	103147	08-01749	Each	1
70	GASKET - COMPRESSOR TERMINAL 115V LG 8600-R410A	105183	08-01750	Each	1
71	NUT - COMPRESSOR TERMINAL COVER 115V LG 8600 R410A	109653	08-01751	Each	1
72	WASHER - COMPRESSOR TERMINAL 115V LG 8600-R410A	116612	08-01752	Each	1
73	FITTING - TEE 5/16 X 5/16 X 1/4 COPPER	106423	08-01765	Each	1
74	VALVE - BYPASS 1.8 MM R410A COPPER	120067	08-01766	Each	1
75	SOLENOID ASSY - 115V R410A	112948	08-01767	Each	1
76	COMPRESSOR - ROTORY 115V 6600 BTU R410A	102825	08-01768	Each	1
77	GROMMET - .375ID X 1.125 OD X .63 RUBBER BLK	117218	08-01769	Each	3
78	OVERLOAD - COMPRESSOR 115V LG 6600 BTU R410A	109844	08-01770	Each	1
79	ELECTRICAL BOX - GALV STL DZ1200	116159	08-01773	Each	1
80	BULKHEAD - GALV STL DZ1200	108665	08-01774	Each	1
81	BASE - GALV STL DZ1200	101234	08-01775	Each	1
83	COIL ASSY - EVAPORATOR/CONDENSER DZ1200	102992	08-01777	Each	1
84	SHROUD - COIL	112745	08-01784	Each	1
85	WHEEL - 12 X 2 X 5/8 BORE GRY (Includes DUST CAP, 13-0154	120300	13-00053	Each	2
86	TUBING - 3/8 X 5/8 OD BRAIDED PVC	116346	13-00083	Foot	2
87	DUST CAP - 12 OD WHEEL NYLON BLK Included w/13-00053	103879	13-01549	Each	2
88	TUBE - 1/4 ID X 3/8 OD VINYL	116125	15-00195	Foot	40
89	TUBE - 1/2 ID X 3/4 OD VINYL	119877	15-01463	Foot	0.46
90	FITTING - TEE 3/8 X 3/8 X 1/4 COPPER	105028	18-00764	Each	1
91	FITTING - REDUCER 3/8 HB X 1/4 HB POLYPROPYLENE	116764	18-01052	Each	1

DrizAir 1200 Pictorial Drawing

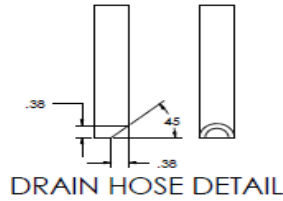
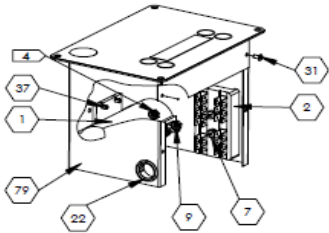
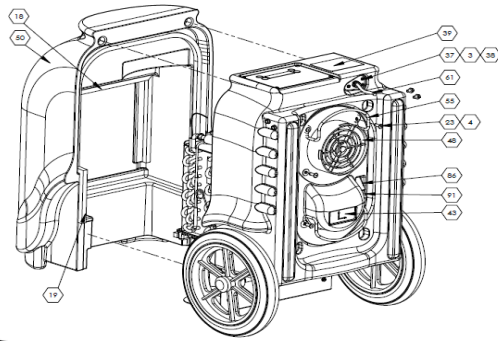


DrizAir 1200 Pictorial Drawing



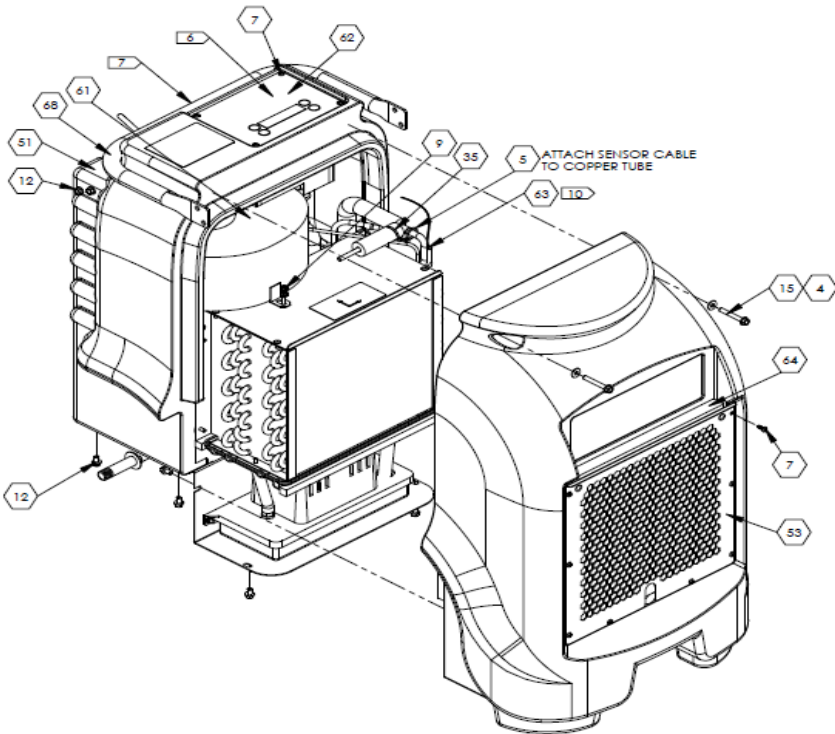


COMPRESSOR WIRING DETAIL



DRAIN HOSE DETAIL

DrizAir 1200 Pictorial Drawing



DrizAir 1200 Wiring Diagram

DRIZAIR 1200 - 115V/110V WIRING DIAGRAM

