

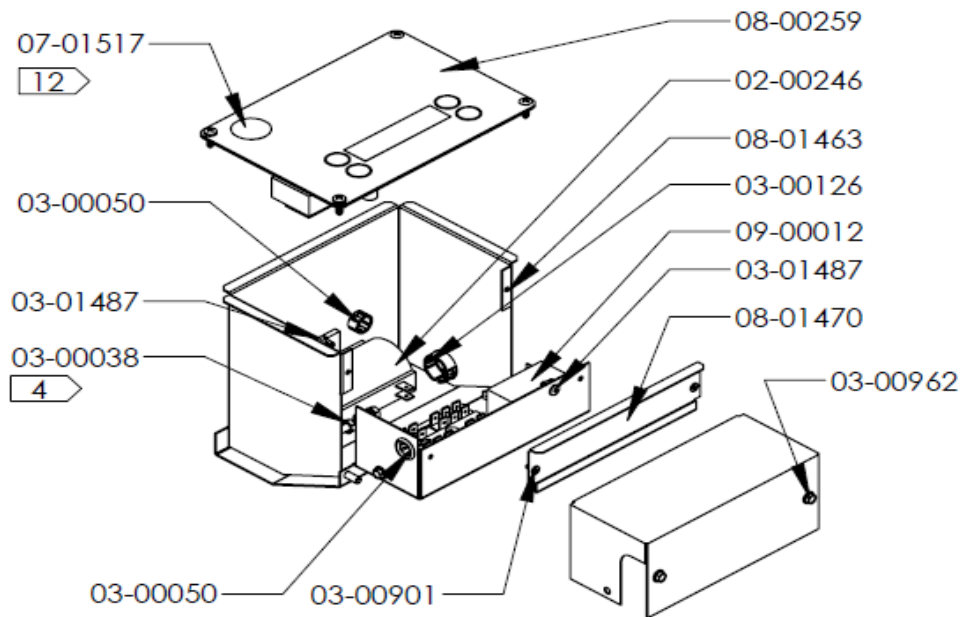
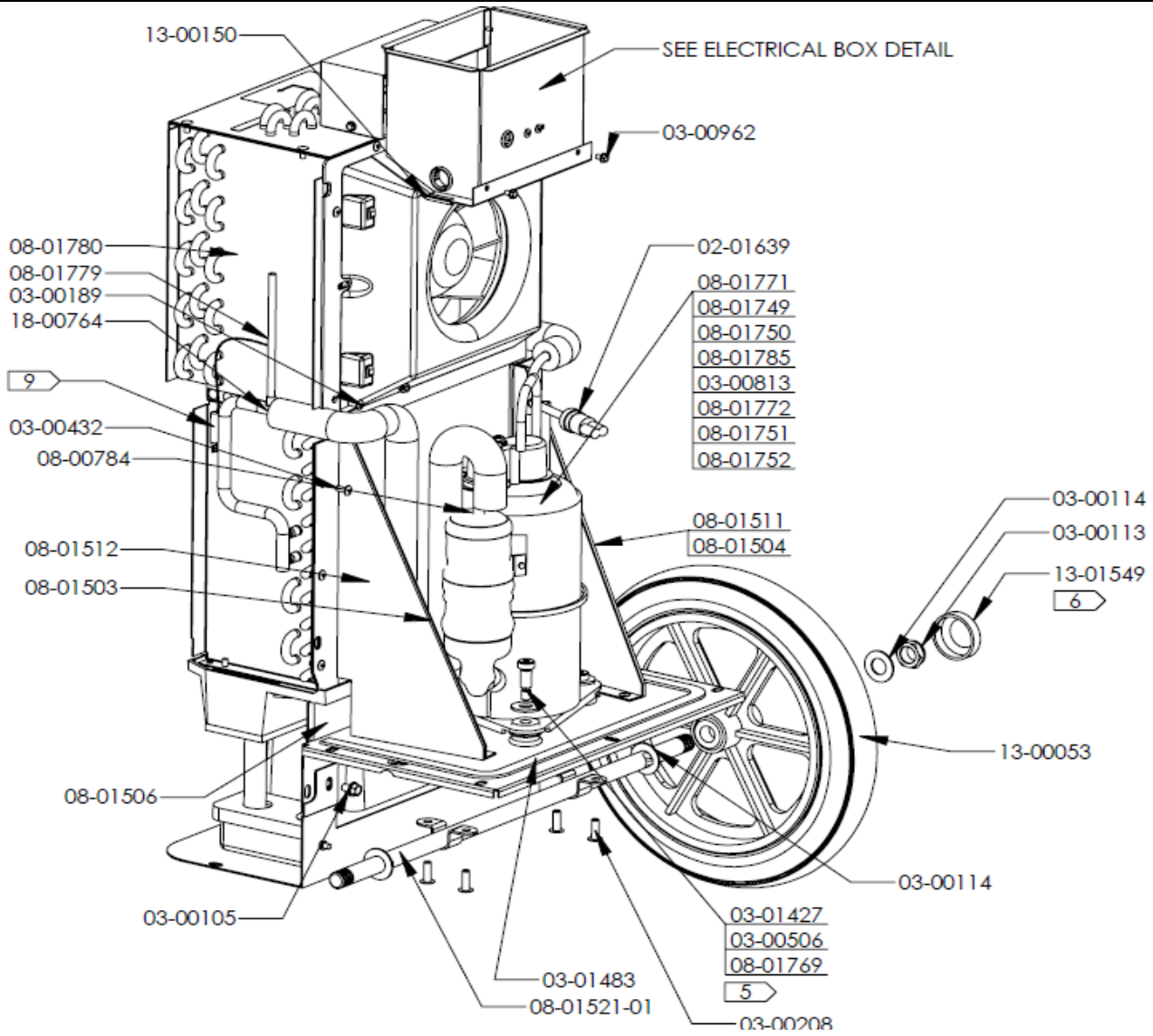
Evolution Dehumidifier

(Model: F292-A, F292-A BUR, F292-A GRN, F292-A PR, F292-A SM, F292-A SP, F292-A YEL)

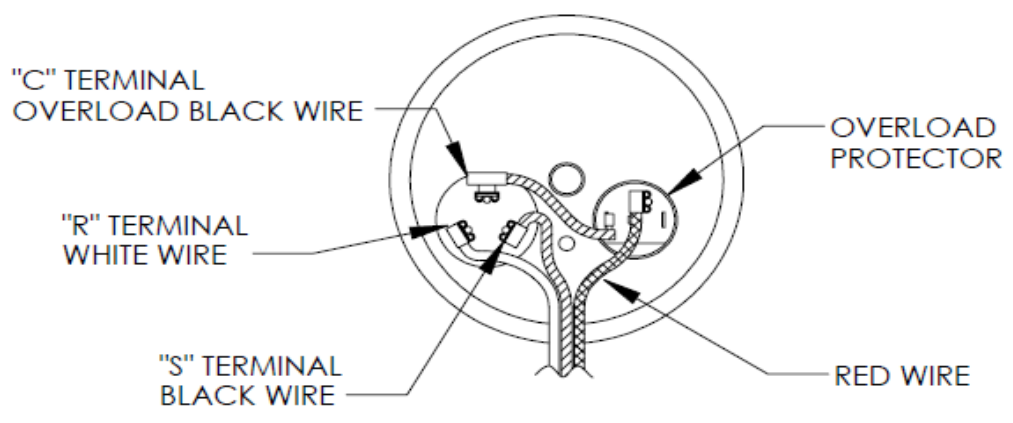
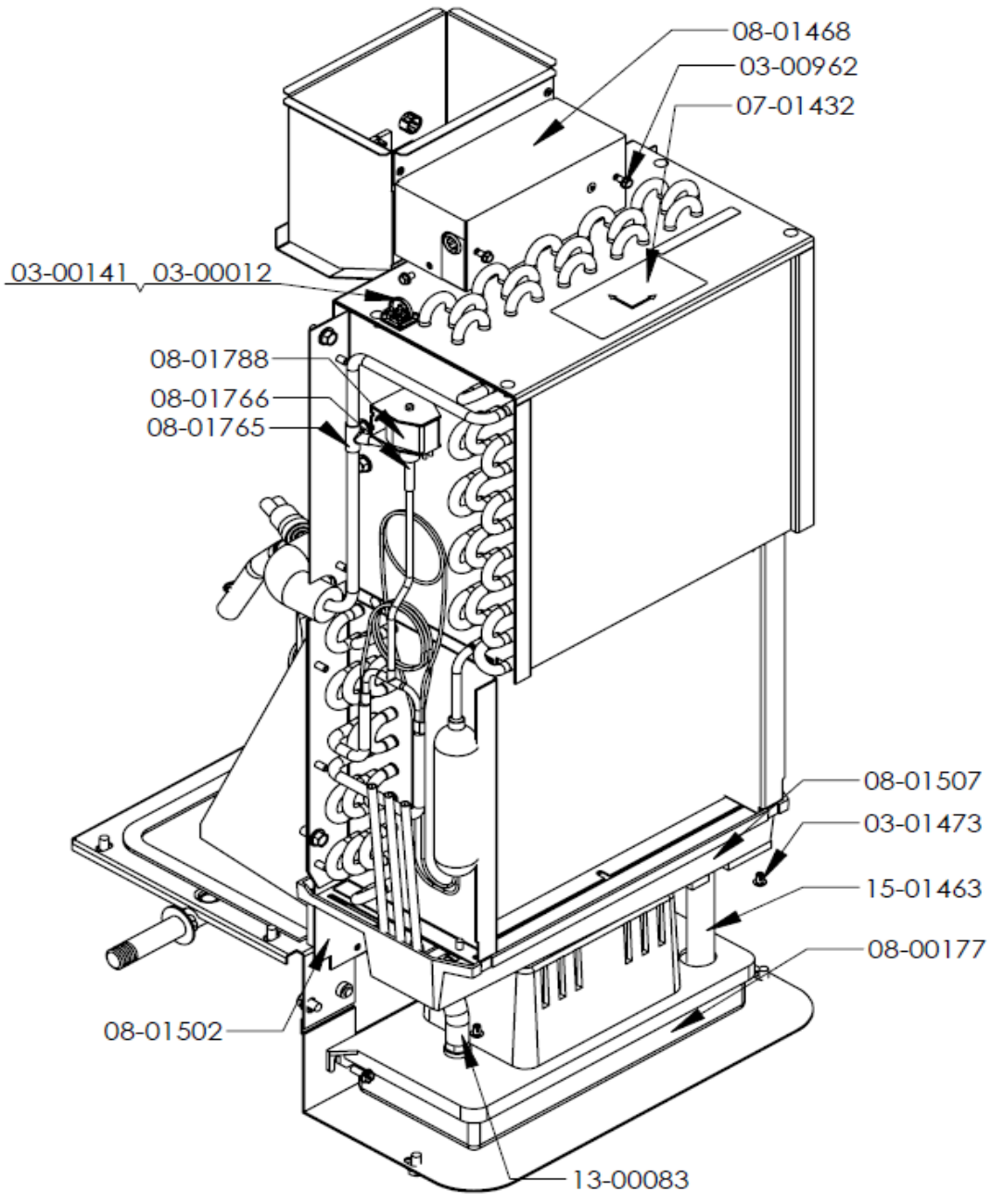
Part Description	Part #	Uom	Qty
TERMINAL BLOCK - GP 6 X 6 X 8 X 4 QC	02-00157	Each	1
STRAIN RELIEF - SNAP .360 DIA BLK	02-00218	Each	1
CAPACITOR - 35MFD 370V 1.75 DIA ROUND W/MTG BRKT	02-00246	Each	1
BLOWER ASSY - MOTORIZED IMPELLER 115V 90W 2600RPM EVOLUTION	02-01466	Each	1
SWITCH - PRESSURE NORMALLY CLOSED 600/420	02-01639	Each	1
WASHER - 1/4 RIVET .26 ID X .50 OD X .06 ZP	03-00001	Each	2
WASHER - SEALING #10 X 5/8 OD STL/NEOPR	03-00006	Each	1
CABLE TIE - 4 NYLON	03-00012	Each	6
SCREW - #8 X 1/2 PHIL PH ZP	03-00023	Each	6
PLUG - HOLE 1.13 DIA NYLON BLK	03-00027	Each	1
NUT - #10-24 W/STAR WASHER ZP	03-00038	Each	5
BUSHING - .390 ID X .562 X .406 SPLIT NYLON BLK	03-00050	Each	4
SCREW - 1/4-20 X 1/2 SER HWH ZP	03-00092	Each	4
SCREW - 1/4-20 X 3/8 HWH NYLOC ZP	03-00105	Each	16
NUT - 5/8-11 UNC THIN ZP	03-00113	Each	2
WASHER - 5/8 AN .63 ID X 1.187 OD X .06 SS	03-00114	Each	4
GASKET - 1/2 X 1/2 POLYURETHANE PSA	03-00121	Foot	12.92
BUSHING - .671 ID X.875 X.41 SPLIT NYLON BLK	03-00126	Each	2
SCREW - 1/4-20 X 1.0 SER HWH ZP	03-00129	Each	2
MOUNTING PAD - NYLON TIE 3/4 X 4 WAY PSA	03-00141	Each	1
SCREW - 10-24 X 1.5 HWH ZP	03-00151	Each	1
BOLT - SHOULDER 5/16-18 X 3/8 X 1	03-00175	Each	1
RIVET - 3/16 X 1/4 AL/AL BLK ANOD	03-00189	Each	6
FOOT - ROUND PUSH MOUNT .83 OD X .24 RUBBER BLK	03-00202	Each	2
RIVET - 3/16 X 5/8 TRI FOLD AL/AL	03-00204	Each	7
RIVET - 1/4 X 1/4 STL/STL ZP	03-00208	Each	4
RIVET - 3/16 X 1/4 STL/STL BLK	03-00432	Each	13
CLAMP - 3/8 ID HOSE GRN	03-00471	Each	1
NUT - #10-24 NYLOC ZP	03-00491	Each	1
WASHER - 3/8 USS .43 ID X 1.00 OD X .08 ZP	03-00506	Each	3
CABLE TIE - 11 NYLON	03-00813	Each	2
RIVET - 1/8 X 1/8 AL/AL	03-00901	Each	2
SCREW - #8-32 X 1/4 TF SER HWH ZP	03-00962	Each	6
BOLT - SHOULDER 5/16-18 X 3/8 X 3/4	03-01427	Each	3
SCREW - #10-24 X 1/2 SLT HWH ZP	03-01429	Each	2
SCREW - M4 X 6MM PHP ZP	03-01467	Each	4
RIVET - SNAP .200 X .200 NYLON BLK	03-01473	Each	2
SCREW - #8 X 1/2 PHP ZP BLK	03-01474	Each	4
SPRING - .850 X 1.00 X .08 SS	03-01475	Each	1
CLAMP - HOSE .5 BLK	03-01481	Each	1
GASKET - 1 X 1/2 POLYURETHANE PSA	03-01483	Foot	7.08
RIVET - 5/32 X 1/4 TRI FOLD AL/AL BLK	03-01487	Each	6
PLUG - HOLE .88 DIA X .25 NYLON BLK	03-01598	Each	2
PLATE - STRAIN RELIEF PC WR BLK VORTEX	04-00052-01	Each	1
LABEL - PRODUCT EVOLUTION	07-00448	Each	1
LABEL - WARNING ANSI EVOLUTION	07-00451	Each	1

Part Description	Part #	Uom	Qty
LABEL - CAUTION Y/B DEHUS	07-01432	Each	1
PACKAGING ASSEMBLY - 115V EVOLUTION	07-01523	Each	1
PUMP- CENTRIFUGAL 115V 80 GPH 5 FT CORD	08-00177	Each	1
POWER CORD ASSY - 16/3 SJTW 5-15P 25FT DZ1200	08-00226	Each	1
CONTROL PANEL ASSY - MICRO CONTROLLER 115V/230V DEHUS	08-00259S	Each	1
SENSOR CABLE ASSY - MICRO CONTROLLER TEMP DEFROST DEHUS	08-00260	Each	1
FITTING - QUICK DISCONNECT BODY 1/4 BARB (FEMALE)	08-00302	Each	1
FITTING - QUICK DISCONNECT INSERT 3/8 BARB (MALE)	08-00303	Each	1
INSULATION - CORK TAPE 2 X .13	08-00784	Foot	2.71
ELECTRICAL BOX - GALV STL DZ EVOLUTION	08-01463	Each	1
PLATE - PUMP GALV STL EVOLUTION	08-01465	Each	1
BRACKET - FAN GALV STL EVOLUTION	08-01466	Each	1
COVER - ELECTRICAL PANEL GALV STL EVOLUTION	08-01468	Each	1
PLATE - ELECTRICAL BOX BOTTOM GALV STL EVOLUTION	08-01469	Each	1
PLATE - ELECTRICAL BOX TOP GALV STL EVOLUTION	08-01470	Each	1
COVER - POLYETHYLENE FISHER BLU EVOLUTION	08-01476S	Each	1
DOOR - POLYETHYLENE FISHER BLU EVOLUTION	08-01477S	Each	1
OUTLET GRILL - ABS BLK EVOLUTION	08-01478	Each	1
SHROUD - FAN ABS EVOLUTION	08-01479	Each	1
HOSE WRAP - HOPE BLK	08-01481	Each	2
BUSHING - HOSE WRAP HOPE BLK	08-01484	Each	1
LATCH - DOOR ALCRYN EVOLUTION	08-01492	Each	1
HANDLE ASSEMBLY	08-01493	Each	1
GASKET - LOWER DRIP TRAY NEOPR/EPDM/SBR PSA EVOLUTION	08-01499	Each	1
BULKHEAD - GALV STL EVOLUTION	08-01502	Each	1
SUPPORT - LEFT COIL GALV STL EVOLUTION	08-01503	Each	1
SUPPORT - RIGHT COIL GALV STL EVOLUTION	08-01504	Each	1
GASKET - BULKHEAD NEEOPR/EPDM/SBR PSA EVOLUTION	08-01506	Each	1
DRIP TRAY - ABS BLK EVOLUTION	08-01507	Each	1
GASKET - UPPER DRIP TRAY NEOPR/EPDM/SBR PSA EVOLUTION	08-01510	Each	1
GASKET - RIGHT SUPPORT NEOPR/EPDM/SBR PSA EVOLUTION	08-01511	Each	1
GASKET - LEFT SUPPORT NEOPR/EPDM/SBR PSA EVOLUTION	08-01512	Each	1
AXLE ASSEMBLY - 5/8 OD X 20.29 ZP EVOLUTION	08-01521-01	Each	1
REAR PANEL - POLYETHYLENE FLINT GRY EVOLUTION	08-01523	Each	1
COVER - COMPRESSOR TERMINAL - 115V LG 8600-R410A	08-01749	Each	1
GASKET - COMPRESSOR TERMINAL 115V LG 8600-R410A	08-01750	Each	1
NUT - COMPRESSOR TERMINAL COVER 115V LG 8600 R410A	08-01751	Each	1
WASHER - COMPRESSOR TERMINAL 115V LG 8600-R410A	08-01752	Each	1
FITTING - TEE 5/16 X 5/16 X 1/4 COPPER	08-01765	Each	2
VALVE - BYPASS 1.8 MM R410A COPPER	08-01766	Each	1
GROMMET - .375ID X 1.125 OD X .63 RUBBER BLK	08-01769	Each	3
COMPRESSOR - ROTARY 115V 5600 BTU R410A	08-01771	Each	1
OVERLOAD - COMPRESSOR 115V LG 5600-R410A	08-01772	Each	1
REFRIGERATION LINES - 115V / 230V EVOLUTION	08-01779	Each	1
COIL ASSEMBLY - EVAPORATOR/CONDENSER/SYPHON EVOLUTION	08-01780	Each	1
GASKET - COMPRESSOR NEOPR PSA EVOLUTION	08-01785	Each	1
BASE - GALV STL EVOLUTION	08-01786	Each	1
SOLENOID ASSY - 115V R410A EVOLUTION	08-01788	Each	1
WIRE HARNESS - EVOLUTION	08-01794	Each	1
CAPACITOR ASSY - 5MFD 375V BOX	09-00012	Each	1
WHEEL - 12 X 2 X 5/8 BORE GRY (Includes DUST CAP, 13-01549)	13-00053	Each	2
TUBING - 3/8 X 5/8 OD BRAIDED PVC	13-00083	Foot	2.92
GROMMET - EDGING .130 x .160 POLYETHYLENE W/ ADHESIVE	13-00150	Inch	2
DUST CAP - 12 OD WHEEL NYLON BLK Included w/13-00053	13-01549	Each	2
TUBE - 1/4 ID X 3/8 OD VINYL	15-00195	Foot	40
TUBE - 1/2 ID X 3/4 OD VINYL	15-01463	Foot	0.42
FITTING - TEE 3/8 X 3/8 X 1/4 COPPER	18-00764	Each	1

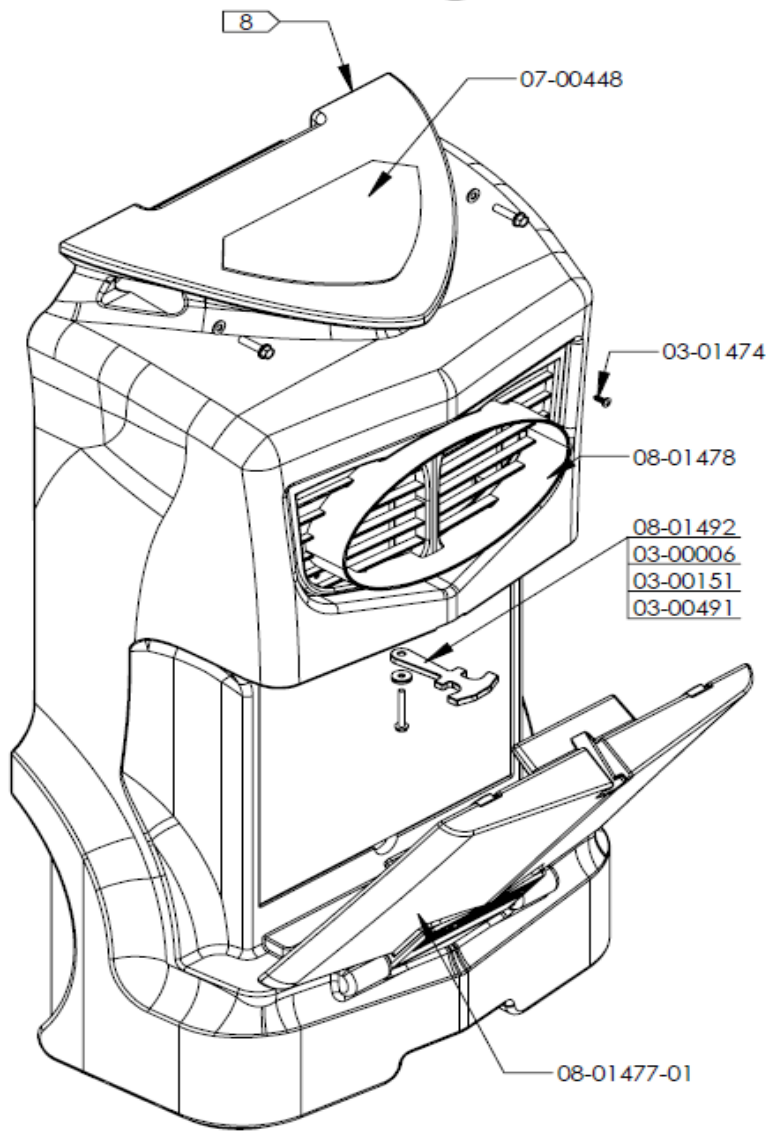
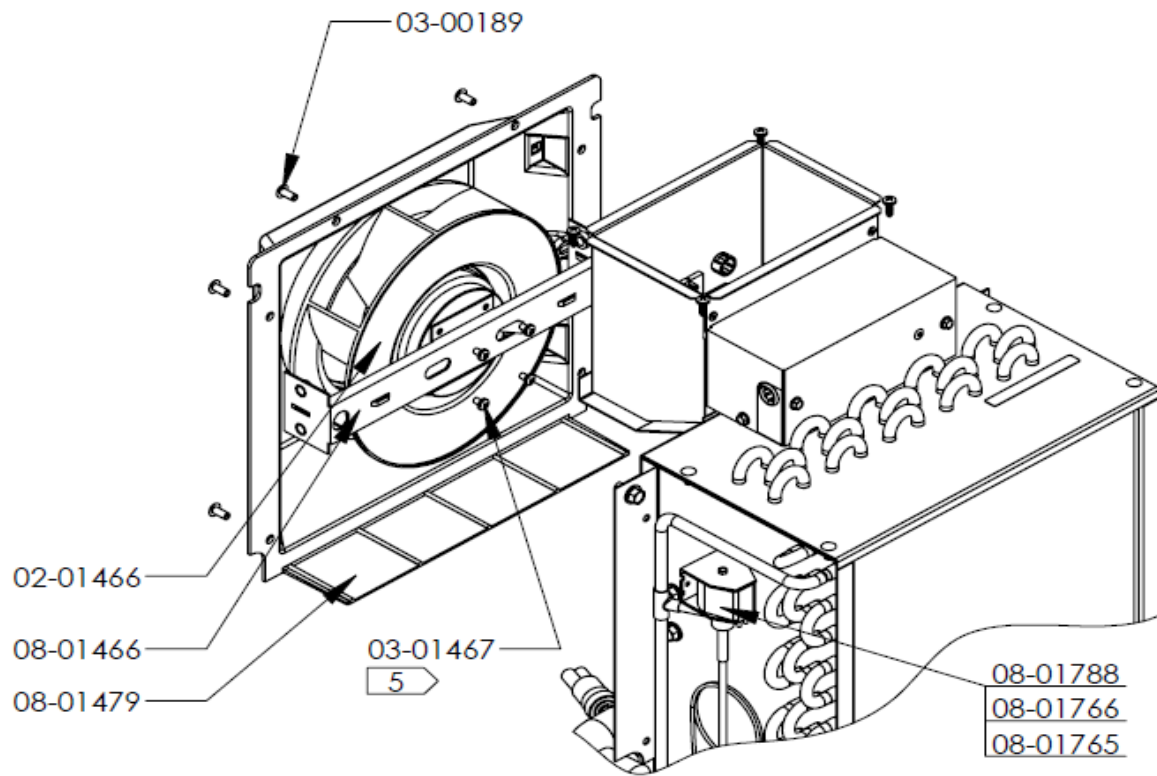
Evolution Pictorial Drawings

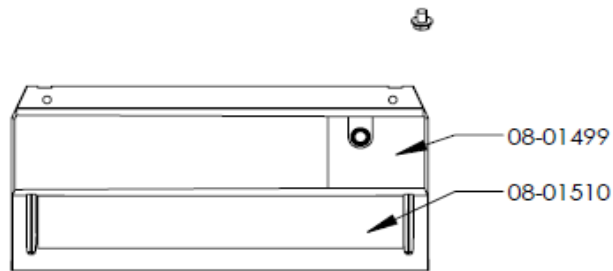
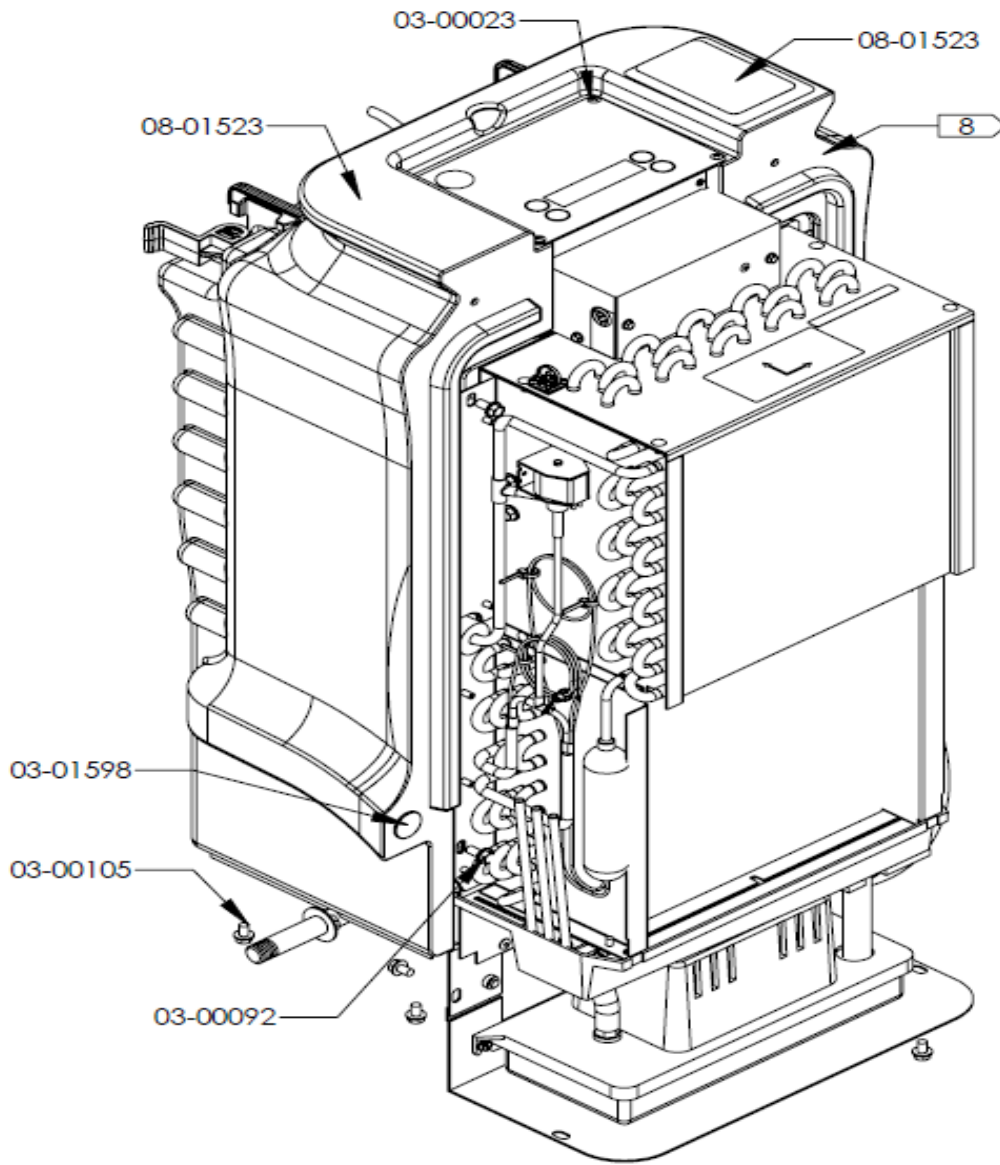


ELECTRICAL BOX

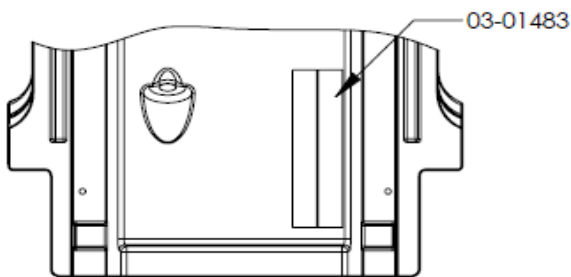
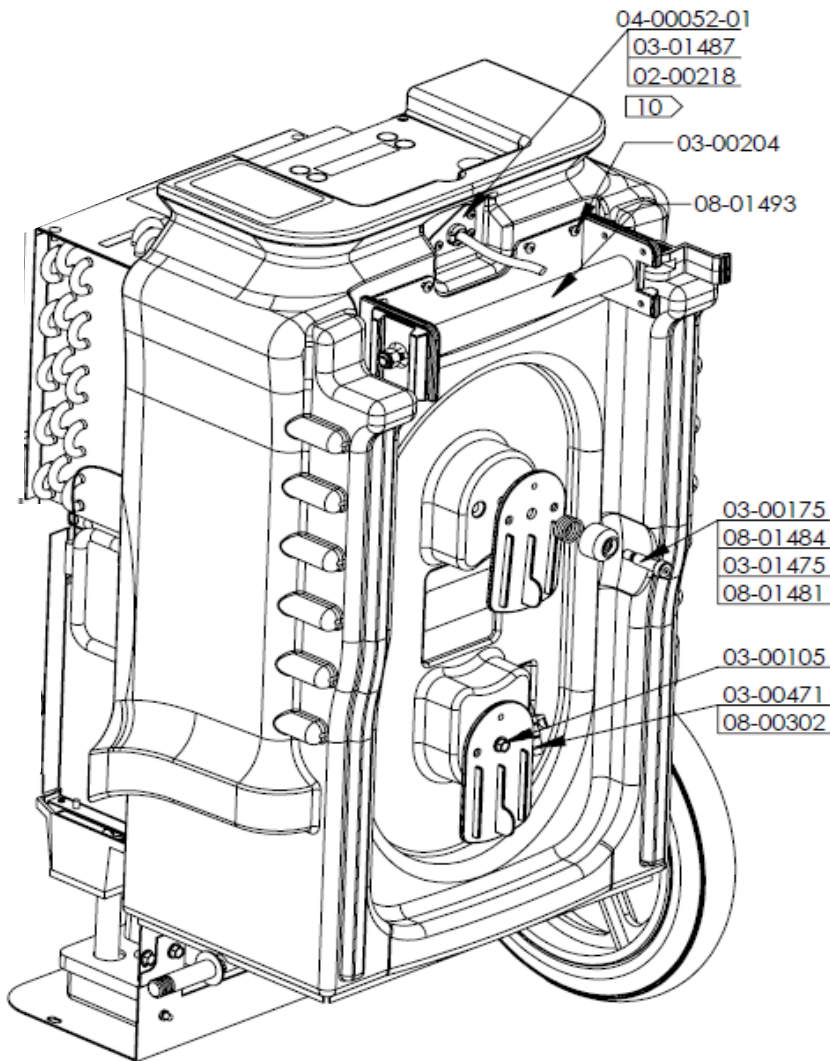


COMPRESSOR WIRING DETAIL

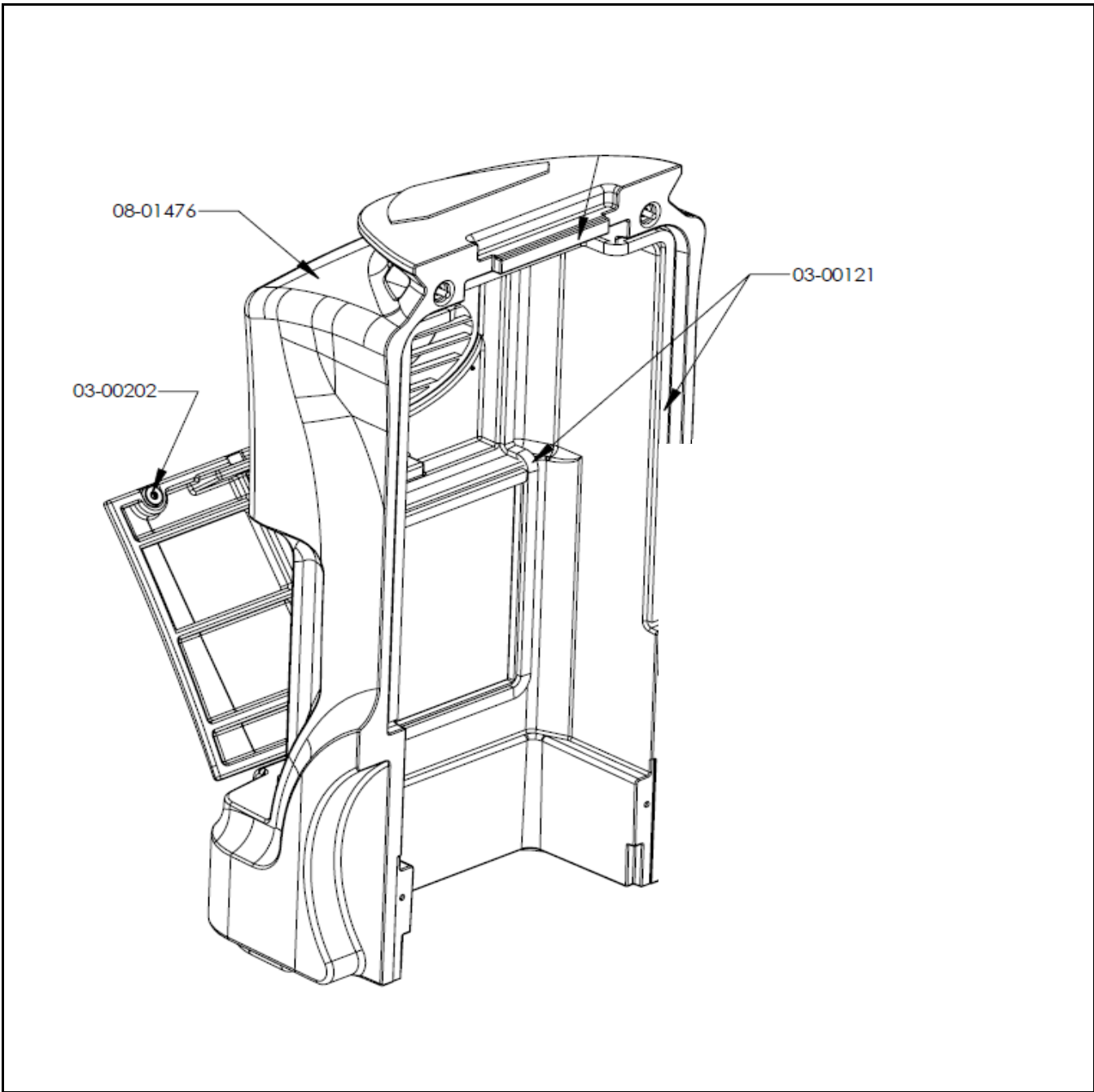




DRIP TRAY DETAIL



REAR PANEL DETAIL



EVOLUTION - 115V 60HZ WIRING DIAGRAM

