

## **Owner's Manual**

**LGR 2800i Portable Dehumidifier (F410)**

**LGR 3500i Portable Dehumidifier (F411)**

**DRI-EAZ PRODUCTS, INC.**

15180 Josh Wilson Road, Burlington, WA 98233

Phone: 800-932-3030 Fax: 360-757-7950 *LegendBrandsRestoration.com*

The Dri-Eaz® LGR i-Series dehumidifiers reduce humidity in enclosed structural environments by removing water vapor from the air. The i-Series product line is engineered to be rugged, durable and highly portable, making them ideally suited for water damage restoration, structural drying, construction, and other applications requiring temporary, high-performance dehumidification.

*Patents: <http://www.LBpatents.com>*

### **SAVE THESE INSTRUCTIONS**

#### **⚠ WARNING**



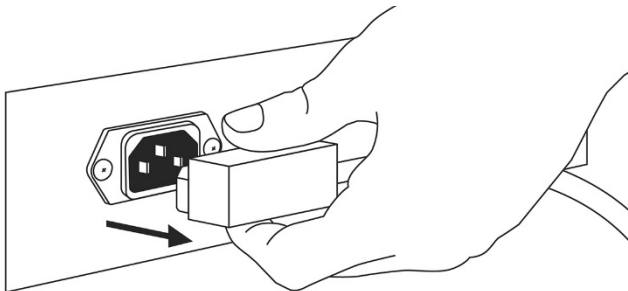
#### **SAFETY INSTRUCTIONS**

**WARNING!** Do not alter or modify your unit in any way. Use only replacement parts authorized by Dri-Eaz Products, Inc. Modifications or use of unapproved parts could create a hazard and will

#### **CORRECT PLUG REMOVAL**

*Grasp IEC plug and pull straight out*

**IMPORTANT:** Damage to IEC receptacle or dehumidifier resulting from improper removal of the power cord is not covered by warranty. The IEC power cord is a wear item and is not covered by warranty.



void your warranty. Contact your authorized distributor for assistance.

**WARNING!** Electric shock hazard, rotating fan, hot surface hazards. Unplug unit before opening cover for cleaning or servicing. Unit must be grounded.

- Inspect the power cord before use. If cord is damaged, do not use. Always grasp the plug (not the cord) to unplug.
- Insert three-prong plug on power cord into a matching electrically grounded outlet. Do not use adapter. Never cut off third prong. Do not use an extension cord.
- The unit must be operated on a 115V/60Hz circuit protected by a Ground Fault Circuit Interrupter (GFCI) device.
- Keep motor and wiring dry.
- Do not attempt to repair the unit. For Authorized Service Centers, contact Dri-Eaz.

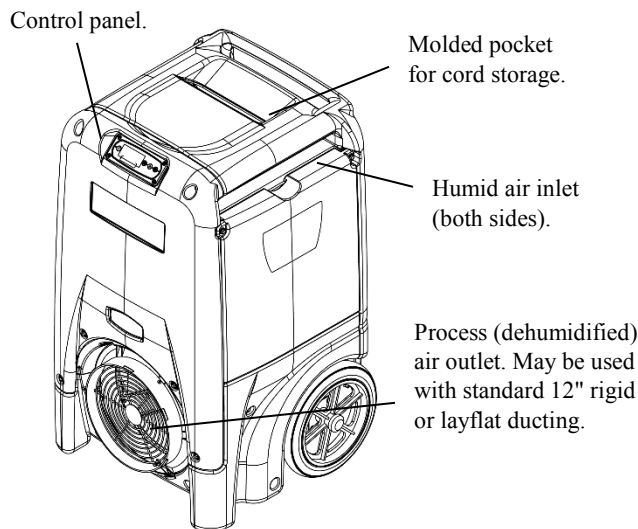
#### **BEFORE YOU BEGIN**

##### **Warranty registration**

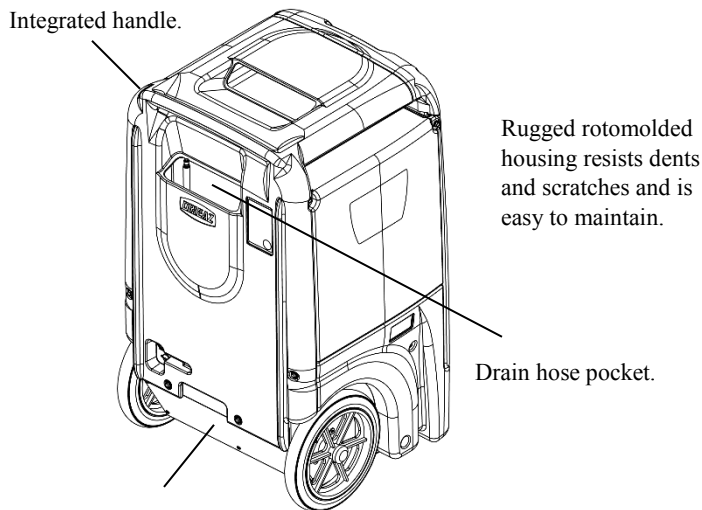
Visit *warranty.LegendBrandsRestoration.com* to register your purchase. Registration allows us to better assist you with using, maintaining or servicing your equipment and to contact you in case we have important safety information concerning your Dri-Eaz product. If you determine service is required, have your equipment model, serial number and original proof of purchase available and call your distributor for assistance with obtaining a return material authorization (RMA).

## PARTS IDENTIFICATION

**FIG. A: FRONT**

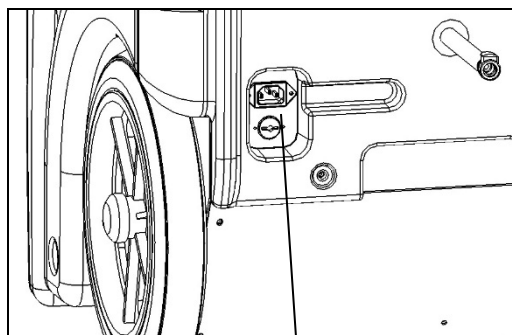


**FIG. B: REAR**



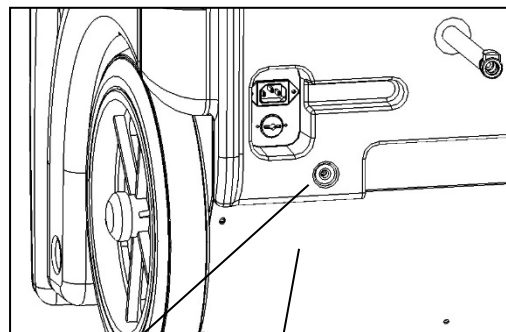
Lower back panel. Remove this panel to access the pump for servicing.

**FIG. C: POWER AND PUMP ATTACHMENT POINTS**



Power cord socket.

**FIG. D: PUMP ACCESS PANEL**



Bottom of back polyethylene housing. Remove two bolts to remove pump for cleaning.

Lower back panel. Remove the five retaining screws to remove pump for cleaning.

## INTRODUCTION

### How LGR dehumidifiers work

Dri-Eaz LGR (low-grain refrigerant) dehumidifiers operate by pulling moist air in across a very cold evaporator core. The moisture in the air condenses on the coil. In certain conditions, the machine operates in defrost mode, warming any frost that has accumulated on the evaporator coil back into water. The water collects in a tray and is pumped out through a hose. Onboard sensors continually monitor environmental conditions and system operations of the dehumidifier,

including temperature and relative humidity, which can be viewed on the display panel.

LGR dehumidifiers have better heat exchange and defrost abilities than regular refrigerant dehumidifiers, and are able to continue removing moisture in drier environments.

### POSITIONING A DEHUMIDIFIER

For best results, operate your dehumidifiers in an enclosed area, as this creates a drying chamber. Close all doors and windows that open to the outside to maximize the unit's water removal efficiency. Also, keep traffic through the drying chamber to a minimum. Place your dehumidifier against a wall, away from obstructions,

## IMPORTANT

To help prevent drip tray overflow after using the dehumidifier, always purge the unit before moving.

1. Turn the unit off and allow the plugged in dehumidifier to rest for 10 minutes.
2. Press the **PURGE** key and while the purge pump is operating, tip the unit back approximately 45° and hold the unit in place until the purge cycle is complete. The manual purge cycle lasts approximately 10 seconds.
3. Return the unit to the upright position and press **PURGE** one more time to empty the pump. Remove the dehumidifier promptly from the job site once these steps have been completed.

and keep it away from anything that could block airflow into and out of the unit. For more information about creating an optimum drying environment, contact Dri-Eaz at 800-932-3030.

## OPERATING YOUR DEHUMIDIFIER

### Set unit upright

**NOTICE:** If you transport an i-Series dehumidifier in a horizontal position, set it upright and let it stand for at least 30 minutes before you turn it on. When the machine is horizontal, the oil from the compressor flows into the refrigerant coils reducing the ability of the dehumidifier to function. Letting the unit stand upright for 30 minutes allows the oil to flow back into the compressor.

### Set up drain hose

This unit automatically pumps out water on a regular basis. This dehumidifier is equipped with a quick-connect fitting for attachment to the provided 40 ft. (12 m) drain hose located in the side pocket. Unwrap the entire hose and place the open end in a sink, drain, bucket or outdoors – anywhere that water can drain out safely. If you use a bucket or other container for water collection, check it regularly to prevent overflows.

**NOTE:** Uncoil and straighten the entire drain hose. Do not leave any of part of the hose coiled on the unit and do not place the end of the hose higher than 20 ft. (6 m) above the top of the unit. Also check for kinks, or obstructions that would restrict the flow of water. Failure to do so may cause a water backup in the pump resulting in leakage.

### Plug in electrical cord

The i-Series dehumidifier should be plugged into a GFCI-protected 115 volt outlet rated for at least 15 amps. Remove the cord from its storage pocket and uncoil it. Always plug the cord firmly into the unit first, and then plug the other end into a suitable outlet.

### Turn the unit on

The control panel has a display and a touchpad with four keys. Press the **ON/OFF** to turn the unit on. The unit will now go through a compressor delay countdown (up to 60 seconds in duration) and a self-diagnostics process, then switch to **normal display mode**.

UNIT ON 00 HRS  
INLET 00°F / INLET 00%

The **first line** of the display shows the total number of hours the unit has been in operation. This value may be reset to zero to track job hours (see “Job Hours Reset” below). The **second line** of the display alternates between inlet temperature and inlet humidity.

### User Settings Menu

A number of display settings may be changed by the user. System information can also be displayed. These items are accessed by pressing **DISPLAY MENU**. Each press of the key will display the next parameter. When you reach the parameter you wish to adjust, press **MENU SELECTION** to increase the value. Press **DISPLAY MENU** again to accept the setting and re-start the display cycle.

Note that only menu items followed by a greater-than symbol (>) may be adjusted.

All settings and modes are discussed in detail in Control Panel Guide.

### Error messages

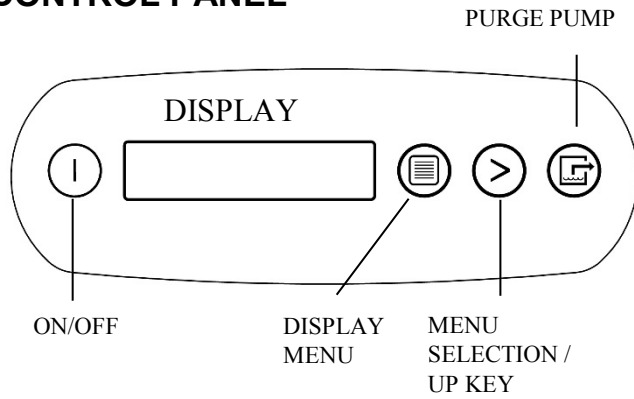
If the onboard diagnostics discover a problem, the unit will display an error message. See “System Messages.”

## Control Panel Guide

**ON/OFF.** Press to turn the unit on or off. When the machine is turned on, the display normally reads PLEASE WAIT COMP. DELAY and performs a numeral countdown for a maximum of 60 seconds to 0. This delay allows time for refrigerant pressures to equalize for easier starting. Once the unit completes the compressor delay, the display shows UNIT ON XX HRS and cycles between INLET XX°F and INLET XX%. NOTE: If no compressor delay countdown is displayed, a delay is not necessary and the machine will begin operation immediately.

**DISPLAY MENU.** Press to cycle through the display of additional dehumidifier conditions and User Settings.

## CONTROL PANEL



ON/OFF	Press and release to turn unit on or off.
DISPLAY MENU	Press to select next item in menu. Menu item will show in display.
MENU SELECTION / UP KEY	Press to toggle or select values in menu displayed.
PURGE PUMP	Press and release to start purge. Display will count down seconds remaining until purge is complete.

To return to the main menu, press the ON/OFF key once.

➤ **MENU SELECTION.** Press to change the values of the "User Defined" settings. The MENU SELECTION key acts as the UP key for adjusting the setpoint for Humidistat mode operation. See User Settings Menu.

Ⓞ **PURGE.** Press to empty water from the condensate pump reservoir. The display will read PUMP PURGING with a numeral countdown.

NOTE: During normal operation, the pump purges automatically.

### Changing settings and viewing system information

Display setting changes and system information can be accessed by pressing Ⓞ DISPLAY MENU. Each press of the key will display the next parameter (see list below). When you reach the parameter you wish to adjust, press ➤ MENU SELECTION to increase the value. Press Ⓞ DISPLAY MENU again to accept the setting and re-start the display cycle.

Note that only menu items followed by a greater-than symbol (>) may be adjusted.

## USER SETTINGS

Only menu items followed by a greater-than symbol (>) can be adjusted. If no keys are selected for 5 minutes on screens: INLET OUTLET, GRAIN DPR (INLET-OUTLET for 230V models), the display will return to normal display mode. In all the other menu items, the display will return to the normal display mode after 20 seconds. Items without the symbol (>) are for information only and cannot be changed or reset.

Press  **DISPLAY MENU** to proceed to the next menu item. ↓


Press  **MENU SELECTION** to change the setting. →



1. JOB HRS RESET >  
PWR INTERRUPT X



1. JOB HR RESET 0  
PWR INTERRUPT 0

Press  to reset to 0.



2. INLET OUTLET  
100' 80% 115' 30%

*For information only.*



3. GRAIN DPR  
XX GPP


*Note: Unit displays GPP if set to Fahrenheit or g/kg if set to Celsius. To change this setting, see menu item 9.*



4. FILTER CHECKED  
XXX HRS >



5. FILTER CHECKED  
0 HRS


Press  to clear filter hours.



5. COIL CLEANED  
XXX HRS >



5. COIL CLEANED  
0 HRS


Press  to clear coil hours.



6. HUMIDISTAT  
MODE OFF >




6. HUMIDISTAT  
MODE ON >

Press  to turn ON or OFF. **For maximum dehumidification, make sure HUMIDISTAT is OFF.**



7. HUMIDISTAT  
SETPOINT XX% >



Press  to cycle through 40%–90% at 5% increments (default is 50%).



8. LANGUAGE  
ENGLISH >




8. IDIOMA  
ESPANOL >



8. SPRACHE  
DEUTSCH >



8. LANGUE  
FRANCAIS >

Press  to change language options.



9. TEMP UNITS  
'F >



9. TEMP UNITS  
'C >

Press  to change to °F or °C.



10. COIL TEMP  
XX'

*For information only.*



11. COMP CURRENT  
XX.X A

*For information only.*



12. FIRMWARE  
3.0X FXXX-XXX

*For information only.*



13. LIFE HOURS  
XXXX HRS



(Returns to top menu item.)

*The following section available only on wireless-equipped units.*

14. SENSOR ID  
XXXXXXXX



(Returns to top menu item.)

## AT THE END OF THE JOB

To reduce the possibility of drips when moving the unit, follow these additional steps to ensure that all water is removed from the unit.

NOTICE: The unit will complete the defrost cycle even if the unit is turned off but still plugged in. If the unit is unplugged during the defrost cycle, excessive water may accumulate in the unit and may drip out when you move the unit.

NOTICE: To ensure the condensate tank empties completely while purging, make sure the unit is placed upright on a horizontal surface.

**1. Do not turn unit off or move it until it has returned to normal operating mode. To confirm unit status, review the control panel. The control panel will display one of the following messages:**

*Defrost in progress:*

**UNIT ON 00 HRS  
DEFROST XX**

Display mode when unit is in defrost mode. XX indicates the seconds remaining on the defrost cycle.

*Shutdown sequence*

**WAIT FOR  
DEFROST XX**

Display mode when unit in defrost and unit is powered down (shut off by user). Unit will complete the defrost cycle to remove any built-up ice then purge the pump. XX indicates the seconds remaining on the defrost cycle.

*Drying sequence*

**WAIT FOR  
UNIT DRYING XX**


Display mode when unit not in defrost and unit is powered down (shut off by user). Unit will complete the 5 minute drying cycle then purge the pump. XX indicates the seconds remaining on the drying cycle.

*Normal display:*

**UNIT ON 00 HRS  
INLET XX°C**

Wait until the control shows the normal display before proceeding.

**2. Gently rock the machine to ensure any water remaining on interior surfaces falls into the sump area.**

**3. Press the  PURGE key. When the purge cycle is complete, turn the unit off.**

**4. Disconnect the external drain hose, drain it carefully, coil it and secure it in the pocket or the strap provided with your unit.**

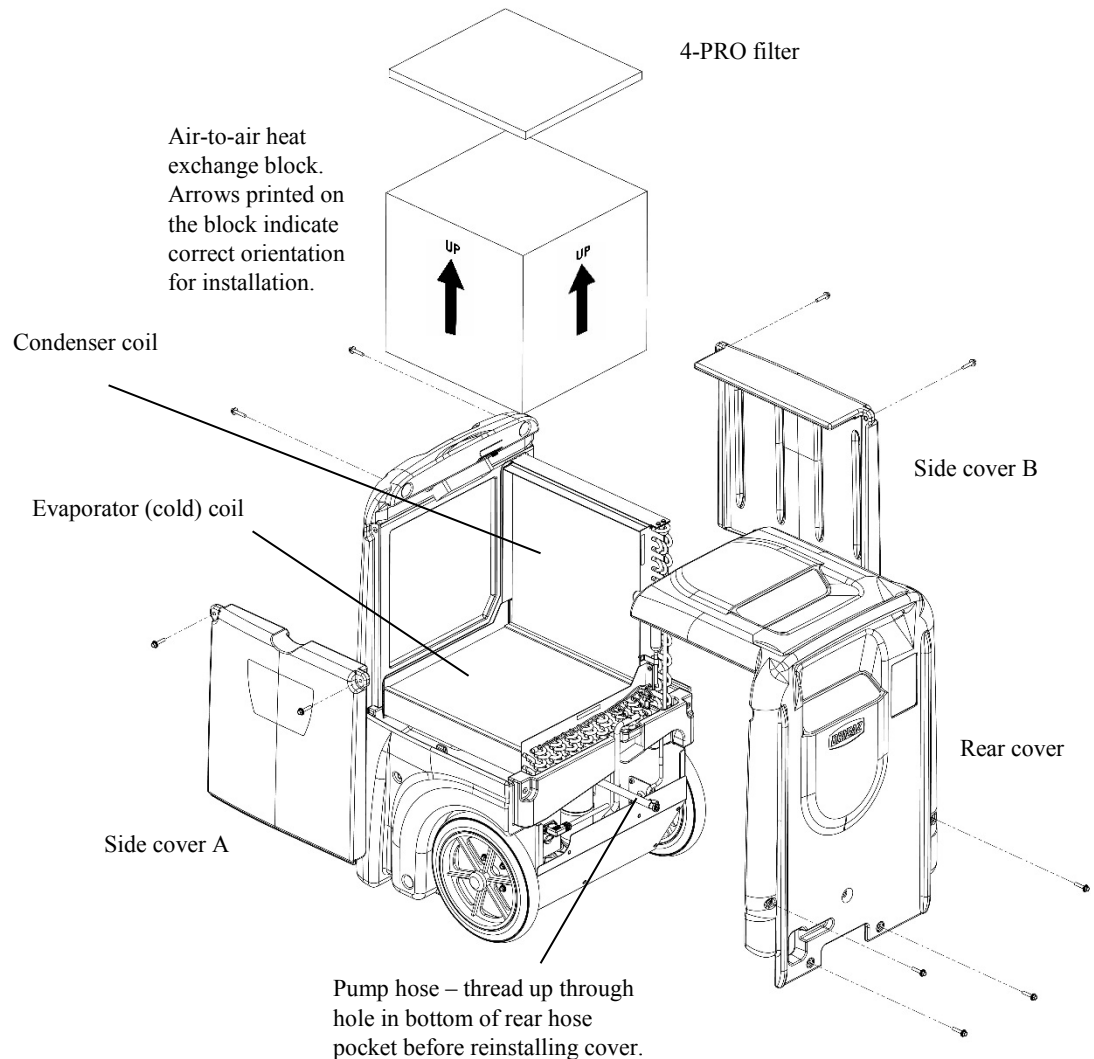
## MAINTENANCE

**WARNING! ELECTRIC SHOCK HAZARD.** Unplug the dehumidifier before performing any maintenance.

### Before each use

**Inspect the electrical cord for damage.** Look for fraying, cuts, etc. Do not use the unit if you find any

**FIG. G: CLEANING**



damage. Call Dri-Eaz for the nearest Service Center at 800-932-3030.

**Inspect filter.** Replace if accumulation of dust and debris is visible.

NOTICE: Replace used filters only with a new Dri-Eaz filter (Dri-Eaz part no. FXXX). Other filter types do not provide adequate filtration or airflow.

## Monthly

**Check coils.** Dirty coils can cause the unit to overheat. Clean when visibly dirty.

**Check heat exchange block.** Clean out with compressed air only. Take care not to damage the block.

**Inspect and clean the pump.** To remove the condensate pump unit:

### SERVICING THE PUMP AND DRAIN PAN

To maintain proper operation, the pump and drain pan assembly should be periodically removed and cleaned. Follow these steps to clean the pump and drain pan assembly:

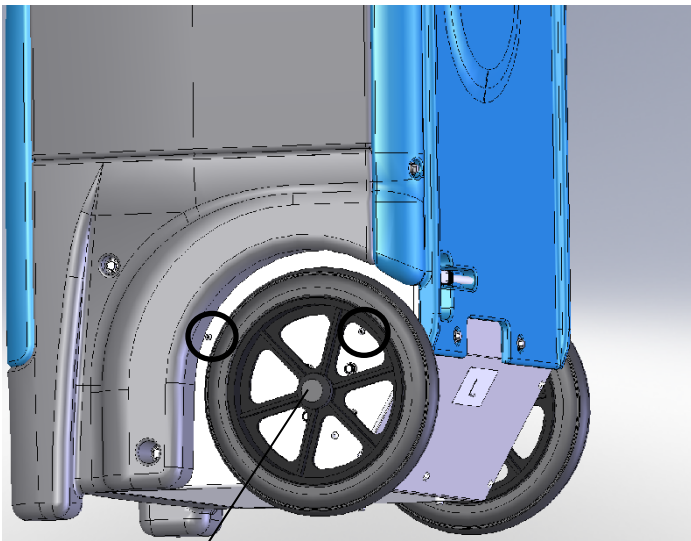
#### Tools Needed

- Philips screwdriver
- Flat blade screwdriver
- $\frac{3}{8}$  in. and  $\frac{15}{16}$  in. sockets and driver
- Cleaning cloths

### DISASSEMBLY AND CLEANING

1. Unplug unit, then remove the power cord from the socket at the base of the unit. Remove pump hose at quick-connect.
2. Remove filter.
3. Remove the two bolts from the upper front cover.

### FIG. E: ELECTRIC BOX ATTACHMENT SCREWS



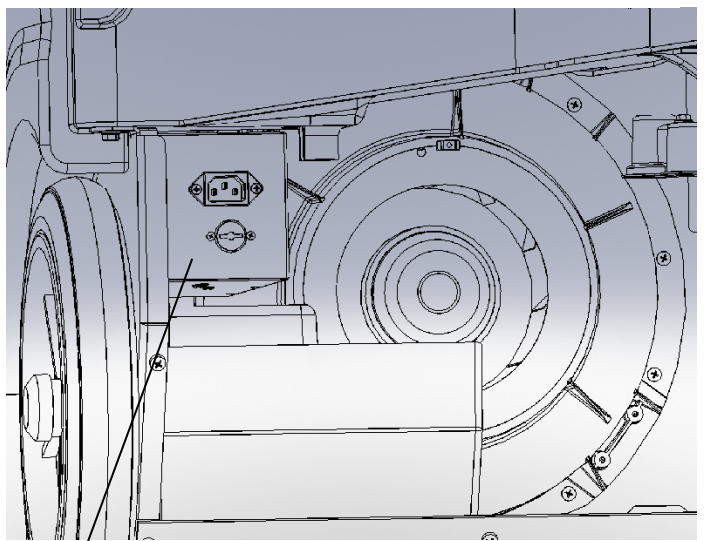
1. After placing a firm support under the base of the unit, remove the center hub cap and remove the axle nut. The wheel will now slide off. 2. Remove the two screws (shown in the circles above) to detach the electric junction box.

4. Remove one bolt each from the upper back corner of side covers A and B (see Fig. A)
5. Remove four bolts from the lower back panel. The back/top panel may now be removed.
6. Remove lower back metal panel (unscrew the five attachment screws).
7. Place a firm support under the base of the unit so that the left wheel may be removed.
8. Using the flat blade screwdriver, carefully pry the center hub cap loose from the left wheel. Use the  $\frac{15}{16}$  in. socket to remove the retaining nut and slide the wheel off. See Fig. E, #1.
9. Remove the two electric box retaining screws (see Fig. E, #2.).
10. Tilt the bottom of the electric box to the right and slide outward (Fig. F). It is not necessary to disconnect any electrical cables.
11. Remove drain hose from pump assembly and slide pump and tray assembly out of the unit.
12. Lift pump body out of plastic catch tray.
13. Wipe or rinse off all surfaces of the plastic catch tray with a damp cloth.

### CLEANING THE PUMP AND PUMP TRAY

14. Remove the pump assembly from the pump tray and set pump aside. Wipe or rinse out pump tray and wipe dry.
15. Remove pumpout hose from the check valve outlet.
16. Unscrew check valve. Using needle nose pliers, carefully remove bottom of check valve assembly by inserting one side of pliers approximately  $\frac{1}{8}$  in. into hole, grasp and pull out carefully. A small ball bearing should fall out so be careful not to lose it. Inspect assembly for debris in assembly and clean accordingly. Reinstall the ball bearing and reinstall the check valve assembly.

### FIG. F: ELECTRIC BOX LOCATION



- After removing attachment screws (Fig. E), tilt the bottom of the electrical box to the right and slide it out. Set aside. It is not necessary to disconnect any electrical cables.

Reassemble in reverse order. The dehumidifier is now ready for use.

## Annually

Have the pump system inspected by the Dri-Eaz Service Department (800-932-3030) or by a qualified service center.

## TRANSPORTATION AND STORAGE

**IMPORTANT:** Before moving, transporting or storing, purge unit and stow hose and power cord as described in the “At the End of the Job” section above.

**NOTICE:** Handle the unit carefully. Do not drop, throw or place the unit where it could fall. Rough treatment can damage the dehumidifier and may create a hazardous condition or void the warranty.

- Do not expose the control panel to moisture, snow or rain.
- Store and transport securely to avoid any damaging impact to internal parts.
- Secure during transport to prevent sliding and possible injury to vehicle occupants.
- Do not transport or store the unit on its front, sides or back. This will help to prevent any remaining moisture from escaping from the unit or flowing into areas outside the sump.

## CLEANING COILS AND HEAT EXCHANGE BLOCK

**Warning!** Unplug unit before servicing.

To help keep the unit operating efficiently, keep the coils and the air-to-air heat exchange block clean. Access these components by removing the side and rear covers:

1. Unplug unit.
2. Unplug the power cord from the socket at the base of the unit. Remove pump hose at quick-connect.
3. Remove filter.
4. Remove both side covers A and B (unscrew two bolts shown for each panel).
5. Remove back cover (unscrew the four bolts shown on the back and the two bolts on the upper front panel).
6. Remove the heat exchange block.

Inspect the heat exchange block carefully. If necessary, use compressed air to clear the channels of the block, taking care not to damage the block.

**NOTICE:** The unit is fitted with sensitive electronic sensors. Protect the sensors from impact and do not expose them to water or cleaning solution.

Vacuum or use compressed air on both sides of the upright (condenser) coil until it is clean. Take care not to let the nozzle touch the fins; as this may damage the fins. A coil cleaner product may be used on the horizontal cold (evaporator) coil only. Follow instructions on product label. Take care not to spray or wipe product on or near any electrical components or sensors. To clean the vertical (condenser) coil, contact Service for instructions.

To reassemble, follow the above steps in reverse. Be sure to reinstall heat exchange block in the original orientation. When installing the rear cover, carefully thread the pump hose through the hole in the back pocket before putting the cover in place.

**NOTICE:** Rubber strips are attached to the outside edges of the evaporator and condenser coils to provide an airtight seal around the heat exchange block. When reinstalling the block, make sure the seals are in place and are not kinked or folded.



## SYSTEM MESSAGES

The Control Panel will display the following messages based on system performance and environmental conditions. User action, if any is required, is indicated in the third column.

CONTROL PANEL MESSAGE	EXPLANATION	USER ACTION
INITIALIZING	Unit is powering up.	None
FIRMWARE VERSION XXX	Indicates control board firmware version number.	None
FXXX-XXX	Model number.	None
OFF	Unit has finished powering up and is operating.	None
PLEASE WAIT COMP. DELAY XX	60s delay before compressor turns on. Allows system pressure to equalize.	None
UNIT ON XXXX HRS INLET XXX°F / XX%	First line: indicates total operating hours. Second line: Toggles between inlet temperature and inlet RH every 2 seconds.	None
HUMIDISTAT INLET XXX°F / XX%	First line: indicates unit is in humidistat mode Second line: Toggles between inlet temperature and inlet RH every 2 seconds.	None
LOW TEMP INLET XXX°F / XX%	Unit shuts off if inlet temp below 45°F/7°C. Turns back on when inlet reaches 50°F/10°C.	None
--- PUMP PURGING XX	Pump is purging with countdown in seconds. Press key again to stop if needed.	None
HI TEMP CYCLE REMAINING XX MIN	Unit overload limit reached. Cool-down initiated.	None
--- DEFROST XX	Unit is defrosting, with countdown in seconds.	None
WAIT FOR DEFROST XXX	Unit turned off when coil is cold or already in a defrost cycle. Proceeds to finish cycle or initiate one to clear the coils of ice before storage.	None
WAIT FOR UNIT DRYING XXX	Occurs when unit is turned off and coil is not frozen. Clears the coils of water before storage.	None
CHECK FILTER > ---	Prompt to change filter.	Change filter. Press the > key to reset
CLEAN COILS > ---	Prompt to clean coils and interior.	Clean coils. Press the > key to reset

## ERROR MESSAGES

If the control system detects an error, it will produce an error (“ER”) message. If this occurs, first unplug the unit and then plug it back in. This will usually reset the electronics, and the unit will begin operating normally. If the error message reappears, refer to the explanations and solutions shown below. If these solutions do not fix the problem, contact your local authorized service center.

CONTROL PANEL MESSAGE	EXPLANATION AND SOLUTION
ER4 DEFROST SENSOR CONNECT or ER4 OUTLET SENSOR CONNECT	Temp sensor is open, missing, or shorted. Check that temp sensors are installed correctly on control panel. If error persists, contact service.
ER5 SENSOR CONNECTION ON BD	Inlet Temp/RH sensor is open, missing, or shorted. Check that inlet temp/RH sensor is installed correctly on control panel and inlet shroud. If error persists, contact service.
ER6 CONTACT SERVICE CENTER	Current sensor failure. If error persists, contact service.
ER7 INVALID MODEL SETTING	Incorrect or unsupported DIP switch settings. Contact Dri-Eaz service department for correct DIP switch settings.
ER8 BUTTON STUCK ALL BUTTONS	Key is stuck or has been held down too long. Contact service.
ER9 PUMP BLOCKED PUMP & HOSE	Check for obstructions in drain hose. Check the pump.

# TROUBLESHOOTING

FAULT	CAUSE	SOLUTION
Water drips out when moving unit	Unit was unplugged before purging was complete.	Purge unit before moving. See “At the End of the Job.”
Unit does not operate	Unit not switched on. No power to machine.	Switch unit on. Plug in unit; check power cord connection at wall outlet and at base of unit.
Unit operating, but room not dry	Not enough time to dry. Poor air movement in room. Excessive moist air infiltration.	Make sure “Humidistat” is OFF. Allow more time for drying. Increase air movement with air movers. Seal off area to reduce infiltration.
Unit collects too little water	Room air is dry. Room temperature is too low. Filter is full. Coils are clogged.	Make sure “Humidistat” is OFF. Confirm humidity level with hygrometer. Increase room temperature. Check filter. Replace as necessary. Check coils. Clean as necessary.
<p><i>If the problem you are experiencing is not listed here, call your local distributor or contact our Service Department at 800-932-3030 for further assistance.</i></p>		

## SPECIFICATIONS

Model	LGR 2800i F410	LGR 3500i F411
Use weight	156 lbs.   70.8 kg	158 lbs.   71.2 kg
Dimensions (H × D × W)	40.5 × 23 × 24 in. 103 × 58 × 61 cm	40.5 × 23 × 24 in. 103 × 58 × 61 cm
Power	8.0 amps, 120 volts	11.2 amps, 120 volts
Water removal AHAM (80°F/60% RH)	130 pts.   61.5 liters / day	170 pts.   80.4 liters / day
Water removal max. (90°F/90% RH)	200 pts.   94.6 liters / day	240 pts.   113.6 liters / day
Water removal 80°F/20% RH	20 pts.   9.5 liters / day	24 pts.   11.4 liters / day
Max process air	400 CFM   679.7 CMH*	400 CFM   679.7 CMH*
Operating range	33°F–125°F 1°C–52°C	33°F–100°F 1°C–38°C
Construction	Rotomolded shell	Rotomolded shell
Safety	ETL certified to CSA 22.2 no. 92	ETL certified to CSA 22.2 no. 92
<p>Specifications are subject to change without notice. Some values may be approximate. *Automatic variable speed for optimized performance.</p>		

## PARTS INCLUDED

- 40 ft. (12 m) of drain hose with quick-connect fitting.
- 25 ft. (7.6 m) detachable power cord.
- 4-PRO air filter (reorder F584 24 pk.)

## ACCESSORIES

- VMax Adaptor (F422)
- Sto&Go Ducting (F405)

**FOR PARTS AND SERVICE CALL YOUR LOCAL DISTRIBUTOR** or Dri-Eaz at 800-932-3030. Visit [warranty.LegendBrandsRestoration.com](http://warranty.LegendBrandsRestoration.com) and register your purchase to ensure you receive any important product releases.



**WARNING:** This product may expose you to chemicals, including lead and phthalates, known to the State of California to cause cancer, birth defects, or other reproductive harm. For more information, go to [P65Warnings.ca.gov](http://P65Warnings.ca.gov)

## **Manual para el usuario** **Deshumidificador Portátil LGR 2800i (F410)** **Deshumidificador Portátil LGR 3500i (F411)**

DRI-EAZ PRODUCTS, INC.

15180 Josh Wilson Road, Burlington, WA 98233

Teléfono: 800-932-3030 Fax: 360-757-7950 [LegendBrandsRestoration.com](http://www.LBpatents.com)

La serie de deshumidificadores Dri-Eaz® LGR iSeries reduce la humedad en ambientes cerrados eliminando el vapor de agua que se encuentra en el aire. El modelo iSeries está creado de modo que sea resistente, duradero y fácil de transportar, características que lo convierten en un elemento sumamente adecuado para la reparación de daños causados por el agua, el secado de estructuras, la construcción y otros usos para los que se necesita temporalmente un deshumidificador de alto rendimiento.

Patents: <http://www.LBpatents.com>

### **GUARDE ESTAS INSTRUCCIONES**



#### **INSTRUCCIONES DE SÉCURITÉ IMPORTANTES**

**ADVERTENCIA!** Peligro de sufrir una descarga eléctrica, lastimarse con el ventilador rotatorio y quemarse con una superficie caliente. Desenchufe la unidad antes de abrir la tapa para limpiarla o hacerle mantenimiento. La unidad debe tener descarga a tierra.

- Controle el cable de alimentación antes de usarlo. Si está dañado, no lo use. Para desenchufar la unidad, tire siempre del enchufe (nunca del cable).
- Coloque el enchufe de tres clavijas que está en el extremo del cable de alimentación en un tomacorriente con descarga a tierra adecuado. No use adaptadores. Nunca corte la tercera clavija. No use cables prolongadores.
- La unidad debe utilizarse en un circuito eléctrico de 115 V/60 Hz, protegido por un interruptor del circuito de fallos de conexión a tierra (GFCI, por sus siglas en inglés).
- No utilice el aparato en agua estancada. Mantenga el motor y los cables secos.

#### **ANTES DE COMENZAR**

##### **Registro de la garantía**

Visite [warranty.LegendBrandsRestoration.com](http://warranty.LegendBrandsRestoration.com) para registrar su compra. El registro nos permite brindarle

mejor asistencia en el uso, el mantenimiento o la reparación de su equipo, y también comunicarnos con usted en caso de que tengamos información de seguridad importante sobre su producto de Dri-Eaz. Si considera que su producto necesita reparación, tenga a mano el modelo del equipo, el número de serie y el comprobante de compra original, y llame a su distribuidor para que lo ayude a obtener una autorización para devolver el producto (RMA, por sus siglas en inglés).

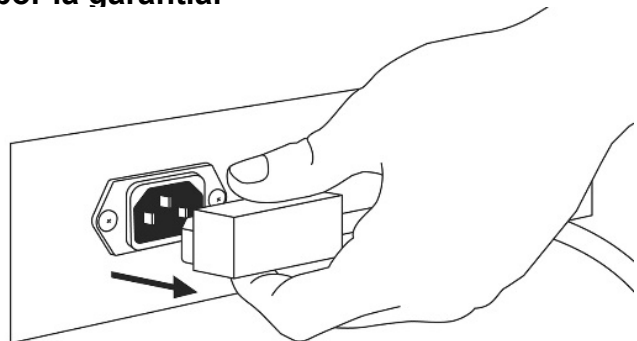
#### **INTRODUCCIÓN**

Los deshumidificadores Dri-Eaz reducen la humedad en ambientes cerrados eliminando el vapor de agua que se

#### **ADECUADO RETIRO DEL ENCHUFE**

*Tome el enchufe IEC y tire recto*

**IMPORTANTE:** Cualquier daño en el receptáculo IEC o en el deshumidificador consecuencia de un inadecuado retiro del cable eléctrico no será cubierto por la garantía. El cable eléctrico IEC es un elemento con desgaste y no está cubierto por la garantía.



encuentra en el aire. Si se usa correctamente, el deshumidificador puede ayudar a secar alfombras, almohadillas para alfombras, pisos, paredes, elementos en el interior de una propiedad y más. También puede ayudar a prevenir daños secundarios causados por el exceso de humedad. Para obtener mejores resultados, cuando use los deshumidificadores, coloque ventiladores TurboDryer de Dri-Eaz alrededor del perímetro de la habitación, a fin de distribuir la energía térmica y hacer que la humedad de las superficies mojadas se pierda en el aire.

## **Cómo funcionan los deshumidificadores LGR**

Los deshumidificadores refrigerantes de grano bajo (LGR, por sus siglas en inglés) de Dri-Eaz hacen que el aire húmedo atraviese un evaporador muy frío. La humedad del aire se condensa en el serpentín. En determinados momentos, la máquina funciona en modo "descongelación", ya que calienta la escarcha acumulada en el serpentín del evaporador y la convierte nuevamente en agua. El agua se acumula en un recipiente y se elimina por una manguera. Los sensores integrados controlan permanentemente las condiciones ambientales y las operaciones del sistema del deshumidificador, incluidas la temperatura y la humedad

relativa, que pueden observarse en la pantalla de visualización.

Los deshumidificadores refrigerantes de grano bajo (LGR) poseen una mayor capacidad de intercambio de calor y de descongelación que los deshumidificadores refrigerantes normales; asimismo, pueden seguir eliminando humedad en ambientes más secos.

## **DÓNDE COLOCAR UN DESHUMIDIFICADOR**

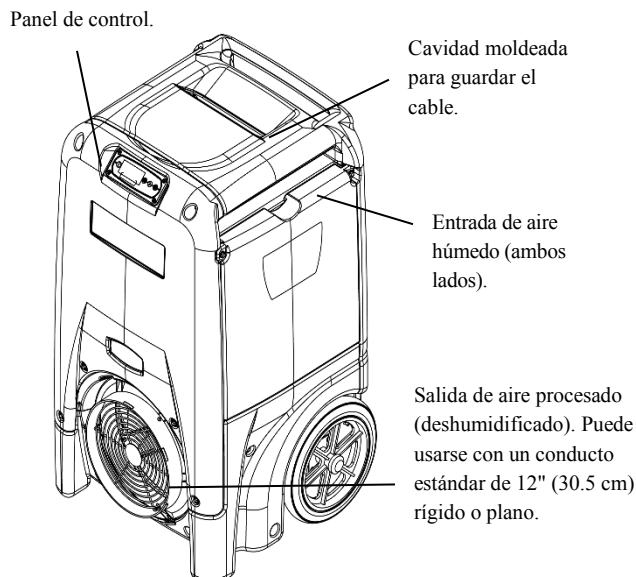
---

Para obtener mejores resultados, utilice su deshumidificador en un espacio cerrado, lo que permite crear una cámara de secado. A fin de aumentar al máximo la eficacia de la unidad para eliminar el agua, cierre todas las puertas y ventanas que den al exterior. Además, trate de que el tránsito dentro de la cámara de secado sea mínimo. Coloque su deshumidificador contra una pared, lejos de cualquier elemento que lo obstruya, y manténgalo alejado de cualquier objeto que pueda bloquear el flujo de aire que entra y sale de la unidad.

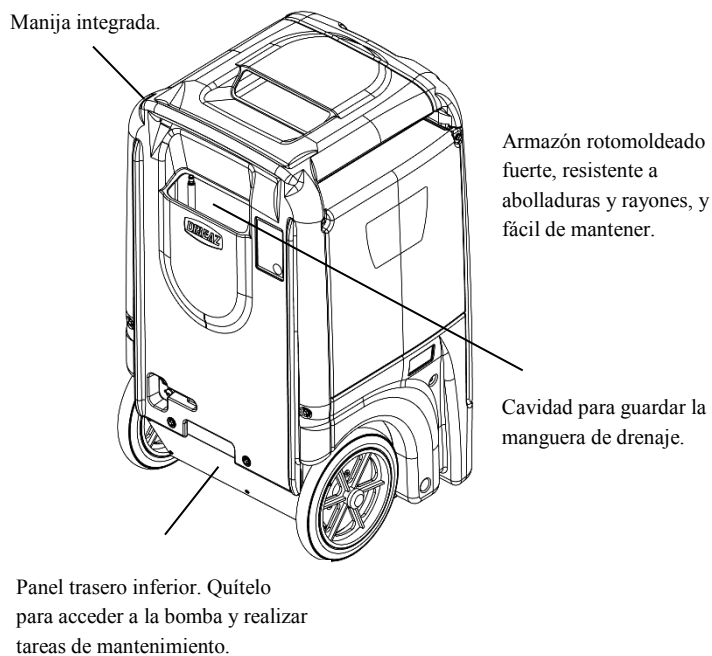
Para obtener más información sobre cómo crear un ambiente de secado óptimo, llame a Dri-Eaz al 800-932-3030.

# IDENTIFICACIÓN DE LAS PARTES

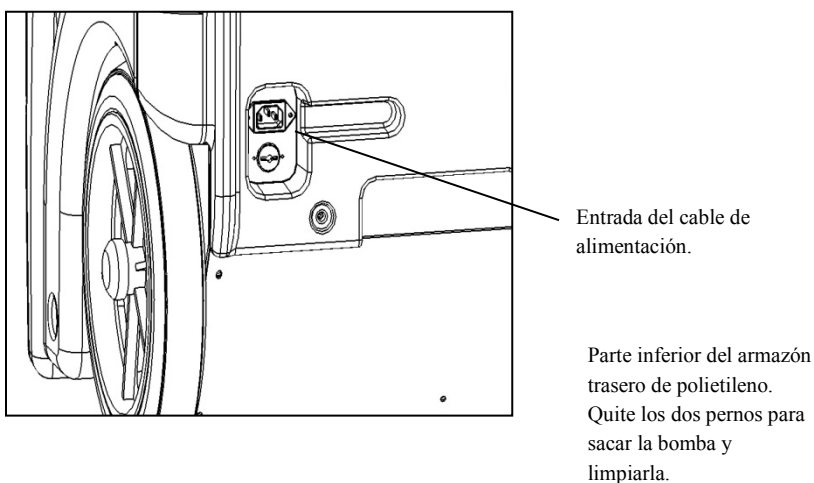
## FIG. A: PARTE DELANTERA



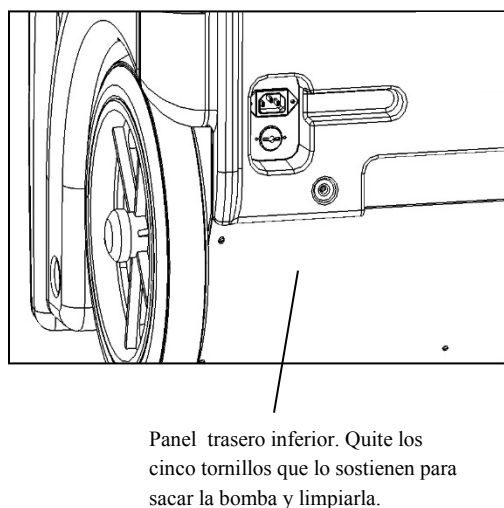
## FIG. B: PARTE TRASERA



## FIG. C: PUNTOS DE CONEXIÓN DE LA BOMBA Y LA ENERGÍA



## FIG. D: PANEL DE ACCESO A LA BOMBA



## CÓMO USAR SU DESHUMIDIFICADOR

### Coloque la unidad en posición vertical

**AVISO:** Si transporta un deshumidificador i-Series en posición horizontal, enderécelo y déjelo en posición vertical durante al menos 30 minutos antes de prenderlo. Cuando la máquina está en posición horizontal, el aceite del compresor fluye hacia los serpentines refrigerantes, lo que disminuye la capacidad de funcionamiento del deshumidificador. Dejar la unidad

en posición vertical durante 30 minutos permite que el aceite vaya nuevamente hacia el compresor.

### Coloque la manguera de drenaje

La bomba de condensado del modelo i-Series se conecta a una manguera de drenaje plástica, ubicada en la cavidad de la parte de atrás de la unidad. Dicha manguera incluye un adaptador de conexión rápida para ajustarla fácilmente a la manguera de drenaje de 40 pies (12 m) proporcionada. Desenrolle toda la manguera y coloque el extremo suelto en una pila, un desagadero, un balde o afuera: en cualquier lugar donde el agua

pueda drenar de forma segura. Si acumula el agua en un balde u otro recipiente, contrólolo con frecuencia para evitar derrames.

**NOTA:** Desenrosque y estire toda la manguera de drenaje. No deje ninguna parte de la manguera enroscada en la unidad ni coloque el extremo de la manguera a más de 20 pies (6 m) por encima de la parte superior de la unidad. Controle también que no haya dobleces u obstrucciones que impidan el paso del agua. De lo contrario, es posible que la bomba se tape y pierda agua.

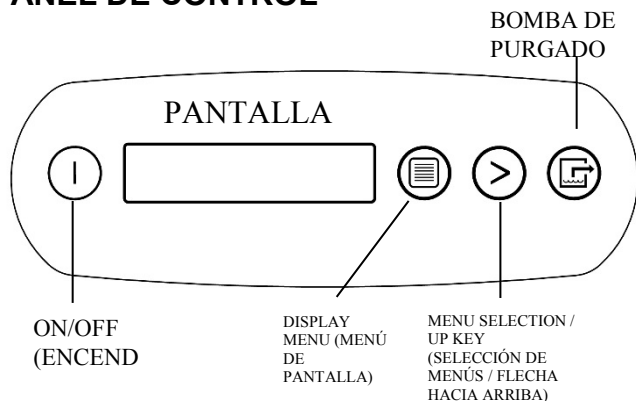
## Enchufe el cable eléctrico

El deshumidificador i-Series debe enchufarse en un tomacorriente de 115 voltios, protegido por un GFCI, con capacidad para 15 amperios como mínimo. Saque el cable de la cavidad donde está guardado y desenrósquelo. Conecte siempre primero y con firmeza el cable que va a la unidad. Después, enchufe el otro extremo del cable en un tomacorriente adecuado.

## Prenda la unidad

El panel de control del deshumidificador i-Series tiene una pantalla y una placa sensible al tacto con cuatro teclas. Presione la tecla **PRENDIDO/APAGADO** para prender la unidad.

### PANEL DE CONTROL



ON/OFF (ENCENDIDO / APAGADO)

Presione y suelte para encender o apagar la unidad.

DISPLAY MENU (MENÚ DE PANTALLA)

Presione para seleccionar el siguiente elemento del menú. El elemento del menú se mostrará en la pantalla.

MENU SELECTION / UP KEY (SELECCIÓN DE MENÚS / FLECHA HACIA ARRIBA)

Presione para cambiar o seleccionar los valores en el menú desplegado.

BOMBA DE PURGADO

Presione y suelte para empezar a purgar. La pantalla mostrará una cuenta regresiva de los segundos que faltan para que se complete la purga.

## Cómo usar el panel de control

El panel de control tiene una pantalla y una placa sensible al tacto con cuatro teclas.

① **PRENDIDO/APAGADO.** Presione la tecla PRENDIDO/APAGADO para prender o apagar la unidad. Cuando se prende la máquina, suele aparecer en la pantalla la leyenda POR FAVOR ESPERE RETAR COMPRES y se produce una cuenta regresiva que va desde un máximo de 60 segundos hasta 0. Esta demora permite que las presiones de refrigerado se equilibren para que el comienzo sea más sencillo. Si no aparece una cuenta regresiva por el retardo del compresor, significa que dicho retardo no es necesario y que la máquina comenzará a funcionar de inmediato. Una vez que finaliza el retardo del compresor, aparece en la pantalla PRENDIDO XXXX H, y se alterna el mensaje ENTRADA XXX °F con el mensaje ENTRADA XX%.

Ⓜ **MOSTRAR MENÚ.** Presione la tecla MOSTRAR MENÚ para ver en la pantalla otros estados del deshumidificador y las Configuraciones del Usuario. Para volver al menú principal, presione la tecla PRENDIDO/APAGADO una sola vez.

➤ **SELECCIÓN DEL MENÚ.** Presione la tecla SELECCIÓN DEL MENÚ para cambiar los valores en las Configuraciones del Usuario. La tecla SELECCIÓN DEL MENÚ también funciona como la tecla ARRIBA, a fin de modificar el valor prefijado para que la unidad funcione en modo "humidistato". Para obtener una descripción detallada, consulte "Menú de configuraciones del usuario" (más abajo).

Ⓟ **PURGAR.** Presione el botón PURGAR para vaciar en forma manual el agua que se encuentra en el depósito de la bomba de condensado. **AVISO:** Presione siempre la tecla de purgado antes de mover la unidad. Durante el funcionamiento normal, la bomba se purga automáticamente cada seis minutos, o cada vez que el depósito esté lleno. En la pantalla se verá BOMBA PURGANDO y una cuenta regresiva.

### Pantalla del menú principal

Cuando la unidad se enchufa por primera vez a la corriente alterna, la pantalla del panel de control mostrará rápidamente una serie de datos. Este procedimiento forma parte del autodiagnóstico de la unidad y no se necesita la intervención del usuario. Cuando finaliza el autodiagnóstico, la pantalla exhibirá la siguiente información:


**PRENDIDO XXXX H**  
**ENTRADA XXX °F / ENTRADA XX%**


La primera línea de la pantalla indica la cantidad total de horas que ha funcionado la unidad. Este valor puede llevarse a cero para hacer un seguimiento de las horas de trabajo (vea más abajo "Reinicio de las horas de trabajo"). La segunda línea de la pantalla alterna la temperatura de entrada con la humedad de entrada.






















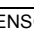

Para obtener instrucciones detalladas del control.

## AJUSTES DE USUARIO

Solo se pueden ajustar los elementos del menú que estén seguidos de un símbolo de «mayor que» (>). Si no se selecciona ninguna tecla en las siguientes pantallas en un lapso de 5 minutos: INLET OUTLET (ENTRADA SALIDA), DPR GRAIN (GRANO DE DPR) (INLET OUTLET para los modelos 230V), la pantalla volverá al modo de visualización normal. En todos los demás elementos de menú, la pantalla regresará al modo de visualización normal después de 20 segundos. Los elementos que no tienen el símbolo (>) son únicamente para información y no se pueden cambiar ni restablecer.

Presione  **DISPLAY MENU (MOSTRAR MENÚ)** para pasar a la siguiente opción del menú. ↓

Presione  **MENU SELECTION (SELECCIÓN DEL MENÚ)** para cambiar el ajuste. →

 1. HRS REINICIAR> FALLA DE LUZ X	>	1. H DE TRABAJO 0 FALLA DE LUZ 0			Presione  para restablecer a 0.		
 2. ENTRADA SALIDA 100' 80% 115' 30%	Sólo para información.						
 3. ENTRADA-SALIDA XX.X g/kg							
 4. FILTRO COMPROBAR XXX HR >	>	5. FILTRO COMPROBAR 0 HRS	Presione  para borrar las horas de limpieza del filtro.				
 5. LIMPIAR BOBINA XXX HRS >	>	5. LIMPIAR BOBINA 0 HRS	Presione  para borrar las horas de limpieza de la bobina.				
 6. HIGROSTATO MODO APAGADO>	>	6. HIGROSTATO MODO PRENDIDO>	Presione  para poner en ON u OFF (ENCENDER o APAGAR).				
 7. CONSIGNA HIGROSTATO XX%>	>	Presione  para alternar entre el 40% y el 90% en incrementos de 5% (el valor predeterminado es de 50%).					
 8. IDIOMA ESPANOL >	>	8. SPRACHE DEUTSCH >	>	8. LANGUE FRANCAIS >	>	8. LANGUAGE ENGLISH >	Presione  para cambiar las opciones de idioma.
 9. TEMPERATURA 'C >	>	9. TEMPERATURA 'F >	Presione  para cambiar a °F o °C.				
 10. TEMP BOBINA XX'	Sólo para información.						
 11. CORR COMPRS XX.X A	Sólo para información.						
 12. FIRMWARE 3.0X FXXX-XXX	Sólo para información.						
 13. TOTAL DE HRS XXXX HR							
 (Regresa al elemento del menú superior).							
La siguiente sección está disponible sólo en las unidades equipadas con sistema inalámbrico.							
 14. SENSOR ID XXXXXXXX							
 (Regresa al elemento del menú superior).							



## AL FINALIZAR EL TRABAJO

Para reducir la posibilidad de goteos al mover la unidad, siga estos pasos adicionales para asegurarse de que toda el agua sea retirada de la unidad.

AVISO: Para asegurar que toda el agua sea quitada del deshumidificador, la unidad habrá de completar el ciclo de descongelamiento incluso si se halla apagada. Si la unidad fuera desenchufada durante el ciclo de descongelamiento, es posible que se acumule en la misma el exceso de agua y gotear cuando se la traslade.

AVISO: Para asegurarse de que el tanque de condensado se vacíe por completo mientras se hace el purgado, asegúrese de que la unidad esté en posición vertical sobre una superficie horizontal.

**1. Si la unidad está en un ciclo de descongelamiento, espere hasta que regrese al modo normal de funcionamiento antes de proceder. Para comprobar, revise el panel de control. Éste mostrará uno de los siguientes mensajes:**

*Descongelamiento en progreso:*

**PRENDIDO XXXX H  
DESCONGELE XX**

Modo de visualización cuando la unidad está en modo de descongelamiento. XX indica los segundos restantes en el ciclo de descongelamiento.

*Secuencia de apagado*

**ESPERE A QUE SE  
DESCONGELE XX**

Modo de visualización cuando la unidad está en modo de descongelamiento es apagada (por el usuario). La unidad completará el ciclo de descongelamiento para quitar cualquier hielo acumulado y luego purgará la bomba. XX indica los segundos restantes en el ciclo de descongelamiento.

*Secuencia de secado*

**ESPERA PARA  
SECADO DE LA UNIDAD XX**

Modo de visualización cuando la unidad no está en modo de descongelamiento y es apagada (por el usuario). La unidad completará el ciclo de secado de 5 minutos y después purgará la bomba. XX indica los segundos restantes en el ciclo de descongelamiento.

*Visualización normal:*

**UNIDAD EN 00 h  
ENTRADA XX °C / ENTRADA XX%**

Espere hasta que el control muestre la pantalla normal antes de proceder.

**2. Mueva suavemente la máquina para asegurarse de que cualquier resto de agua en las superficies interiores caiga en el área del colector.**

**3. Pulse la tecla de PURGADO . Cuando se complete el ciclo de purgado, apague la unidad.**

**4. Desconectar el tubo de drenaje externo, escurrir con cuidado, enrollarla y fijarlo en el bolsillo o en la correa suministrada con la unidad.**

## MANTENIMIENTO

**¡ADVERTENCIA! PELIGRO DE DESCARGA ELÉCTRICA.** Desenchufe el deshumidificador antes de realizar cualquier tarea de mantenimiento.

### Antes de cada uso

**Controle el cable eléctrico para detectar daños.**

Fíjese que el cable no esté pelado, cortado, etc. No use la unidad si detecta algún daño. Para conocer el Centro de Servicio Técnico más cercano, llame a Dri-Eaz al 800-932-3030.

**Controle y aspire el filtro cuando sea necesario.** Los deshumidificadores i-Series están equipados con un filtro para alto flujo de aire 4-PRO. El filtro para 4-PRO se puede limpiar con aspiradora y volver a usar hasta tres veces. **No enjuague ni lave el filtro para 4-PRO**, ya que reducirá la eficacia del material electrostático.

Tenga siempre un filtro limpio en la unidad para proteger los componentes internos contra la acumulación de polvo y otras partículas. Aspire o cambie el filtro antes de cada trabajo. Reemplácelo únicamente con un filtro para 4-PRO nuevo (pieza n.º F584 de Dri-Eaz). Para solicitar piezas y servicio técnico, llame al distribuidor de su zona o al Departamento de Servicio Técnico de Dri-Eaz, al 800-932-3030 ó 360-757-7776.

**ADVERTENCIA:** El polvo puede hacer que la unidad se recaliente y se apague. No utilice el equipo cuando haya exceso de polvo o partículas en el aire, por ejemplo durante el lijado o la pintura con pulverizador. Controle y limpie los serpentines y los componentes del filtro de aire con frecuencia.

**IMPORTANTE:** Reemplace el filtro para 4-PRO cuando haya sido utilizado en tareas de eliminación de moho o haya sido expuesto a sustancias contaminantes potencialmente peligrosas.

### Una vez al mes

**Controle los serpentines.** Los serpentines sucios pueden hacer que la unidad se recaliente. Límpielos cuando los note sucios. Consulte las instrucciones de limpieza en la página 19.

**Controle el bloque de intercambio de calor.** Límpielo con aire comprimido únicamente. Tenga cuidado de no dañar el bloque.

**Controle y limpie la bomba.** Para quitar la bomba de condensado, haga lo siguiente:

### MANTENIMIENTO DE LA BOMBA Y LA BANDEJA DE DRENAJE

A fin de que la unidad siga funcionando correctamente, debe retirar y limpiar la bomba y la bandeja de drenaje periódicamente; para hacerlo, siga estos pasos:

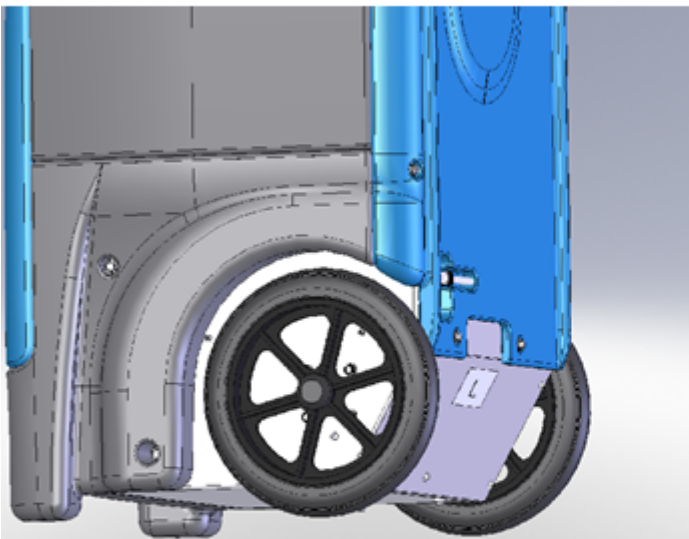
## Herramientas necesarias

- Destornillador Phillips
- Destornillador de punta plana
- Tubos de  $\frac{3}{8}$  y  $\frac{15}{16}$  pulgadas (9.5 y 24 mm) y llave de tubos
- Trapos

## DESARMADO Y LIMPIEZA

1. Desenchufe la unidad y luego retire el cable de alimentación de la entrada que está en la base de la unidad. Saque la manguera de la bomba de la conexión rápida.
2. Quite el filtro para 4-PRO.
3. Quite los dos pernos de la tapa superior del frente.
4. Quite el perno de cada esquina trasera superior de las tapas laterales A y B (vea la Figura A).
5. Quite los cuatro pernos del panel trasero inferior; ahora puede retirar el panel trasero/superior.
6. Retire el panel metálico trasero inferior (desenrosque los cinco tornillos restantes).
7. Coloque un soporte firme debajo de la base de la unidad para sacar la rueda izquierda.
8. Con el destornillador de punta planta, afloje cuidadosamente el tapacubos central de la rueda izquierda. Use el tubo de  $\frac{15}{16}$  pulgadas para sacar la tuerca de retención y deslizar la rueda hacia afuera. Vea la Figura E, #1.
9. Quite los dos tornillos de retención de la caja eléctrica (vea la Figura E, #2).
10. Inclíne la parte de abajo de la caja eléctrica hacia la derecha y deslícela hacia afuera (Figura F). No es necesario que desconecte ningún cable eléctrico.

**FIG. E: TORNILLOS DE FIJACIÓN DE LA CAJA ELÉCTRICA**



1. Después de colocar un soporte firme debajo de la base de la unidad, retire el tapacubos central y la tuerca del eje. La rueda se deslizará hacia afuera. 2. Quite los dos tornillos (marcados con un círculo en la figura superior) para desmontar la caja de conexiones eléctricas.

11. Saque la manguera de drenaje de la bomba y deslice la bomba y la bandeja hacia fuera de la unidad.
12. Levante la estructura de la bomba para sacarla de la bandeja plástica de recolección y aparte la bomba.

## LIMPIEZA DE LA BOMBA Y LA BANDEJA DE LA BOMBA

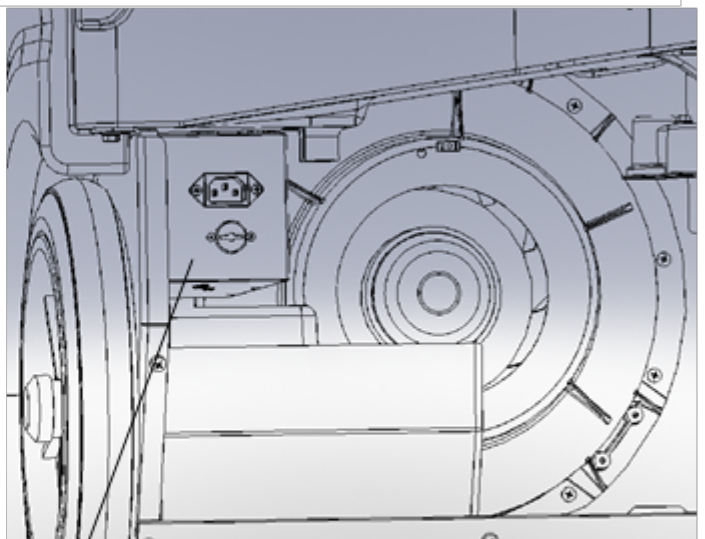
13. Enjuague o limpie con un trapo húmedo todas las superficies de la bandeja plástica de recolección.
14. Limpie con un trapo húmedo todas las superficies de la bomba.
15. Saque la manguera de bombeo de la salida de la válvula de retención.
16. Desenrosque la válvula de retención. Con una pinza de punta de aguja, quite cuidadosamente la parte de abajo de la válvula de retención; para hacerlo, introduzca un lado de la pinza en el agujero a unas  $\frac{1}{8}$  pulgadas (3 mm), apriete y retire con cuidado. Es probable que salga un soporte de bolas; tenga cuidado de no perderlo. Inspeccione la unidad y límpiela conforme sea necesario. Vuelva a colocar el soporte de bolas y la válvula de retención.

Vuelva a armar la unidad siguiendo los pasos anteriores a la inversa. El deshumidificador está listo para usar.

## Una vez al año

Llame al Departamento de Servicio Técnico de Dri-Eaz (800-932-3030) o a un centro de servicio técnico habilitado para que controle el sistema de la bomba.

**FIG. F: UBICACIÓN DE LA CAJA ELÉCTRICA**



Después de quitar los tornillos de fijación (Fig. E), inclíne la parte de abajo de la caja eléctrica hacia la derecha y deslícela hacia afuera. Apártela. No es necesario que desconecte ningún cable eléctrico.

## TRANSPORTE Y ALMACENAMIENTO

**AVISO:** Manipule la unidad con cuidado. No la tire ni la apoye en lugares donde pueda caerse. Si no trata este equipo con cuidado, puede dañarse y ocasionar algún peligro, o la garantía puede quedar anulada.

- No exponga el panel de control a humedad, nieve o lluvia cuando lo transporte en vehículos descubiertos, tales como los camiones de plataforma.
- Transpórtelo y almacénelo de manera segura para evitar cualquier impacto que dañe las partes internas.

## LIMPIEZA DE LOS SERPENTINES Y DEL BLOQUE DE INTERCAMBIO DE CALOR

**¡Advertencia!** Desenchufe la unidad antes de realizar cualquier tarea de mantenimiento.

Para contribuir a que la unidad siga funcionando eficazmente, mantenga limpios los serpentines y el bloque de intercambio de calor de aire a aire. Se puede acceder fácilmente a estos componentes quitando las tapas laterales y trasera de la unidad, tal como se describe a continuación:

1. Desenchufe la unidad.
2. Desconecte el cable de alimentación de la entrada que está en la base de la unidad. Saque la manguera de la bomba de la conexión rápida.
3. Quite el filtro para 4-PRO.
4. Saque las dos tapas laterales A y B (desatornille los dos pernos que hay en cada panel).
5. Saque la tapa trasera (desatornille los cuatro pernos que hay en la parte de atrás y los dos pernos del panel superior del frente).
6. Quite el bloque de intercambio de calor.

Controle con cuidado el bloque de intercambio de calor. De ser necesario, use aire comprimido para limpiar las canaletas del

bloque, con cuidado para no dañarlo.

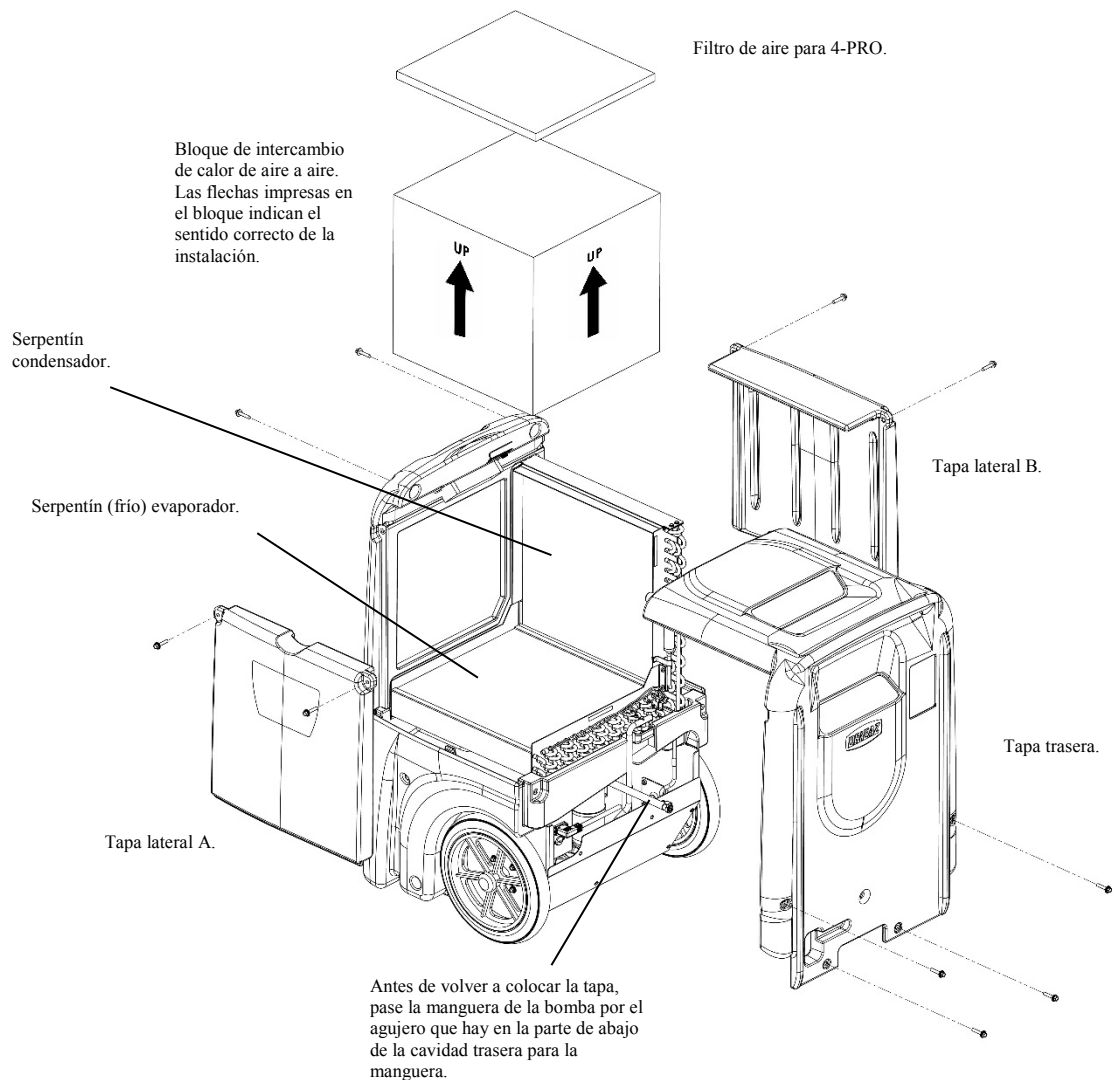
**AVISO:** La unidad está equipada con sensores electrónicos sensibles. Proteja los sensores contra impactos y no los exponga a agua ni a ninguna solución de limpieza.

Use la aspiradora o el aire comprimido en ambos lados del serpentín (condensador) vertical hasta que esté limpio. No permita que la boquilla toque las aletas, ya que podría dañarlas.

**AVISO:** El limpiador de serpentín Dri-Eaz Coil Cleaner (pieza n.º S402 de Dri-Eaz) puede utilizarse únicamente para el serpentín (evaporador) frío horizontal. Respete las instrucciones que figuran en la etiqueta del producto. Tenga cuidado de no rociar o pasar un trapo con Coil Cleaner en los componentes eléctricos ni en los sensores, ni cerca de ellos. Para obtener instrucciones sobre cómo limpiar el serpentín (condensador) vertical, comuníquese con el Departamento de Servicio Técnico.

Para volver a armar siga los pasos anteriores, pero a la inversa. Asegúrese de volver a instalar el bloque de

**FIG. G: LIMPIEZA**



intercambio de calor según la orientación que tenía originalmente. Antes de volver a colocar la tapa trasera, pase con cuidado la manguera de la bomba por el agujero que hay en la cavidad de la parte de atrás.

**AVISO:** Los bordes exteriores de los serpentines evaporadores y condensadores tienen burletes de

goma que crean un cierre hermético alrededor del bloque de intercambio de calor. Cuando vuelva a instalar el bloque, asegúrese de que los burletes estén en el lugar correspondiente y no estén torcidos ni doblados.

## BOTÓN DE PURGA DE LA BOMBA

El panel de control mostrará los siguientes mensajes cuando se presione el botón de purga de la bomba.

MENSAJE DEL PANEL DE CONTROL	EXPLICACIÓN
--- PURGA DE AGUA XX	La bomba se está purgando con cuenta regresiva en segundos. Presione la tecla de nuevo para parar en caso de que sea necesario.

## MENSAJES DEL SISTEMA

El panel de control mostrará los siguientes mensajes con base en el desempeño del sistema y las condiciones ambientales. En caso de que se requieran, se indican las acciones del usuario en la tercera columna.

MENSAJE DEL PANEL DE CONTROL	EXPLICACIÓN	ACTION
INICIALIZAR	La unidad está encendiendo.	Ninguna
VERSION FIRMWARE XXX	Indica el número de versión del firmware del tablero de control.	Ninguna
FXXX-XXX	Número de modelo.	Ninguna
APAGADO	La unidad ha terminado de encender y está funcionando.	Ninguna
POR FAVOR ESPERE RETAR COMPRS XX	60s de espera antes de que encienda el compresor. Permite que se iguale la presión del sistema.	Ninguna
PRENDIDO XXXX HR ENTRADA XXX°C/ XX%	Primera línea: indica el total de horas de operación. Segunda línea: Alterna cada 2 segundos entre la temperatura de entrada y la humedad relativa de entrada.	Ninguna
HIGROSTATO ENTRADA XXX°C/ XX%	Primera línea: indica que la unidad está en modo de higróstico Segunda línea: Alterna cada 2 segundos entre la temperatura de entrada y la humedad relativa de entrada.	Ninguna
BAJA TEMP ENTRADA XXX°C/ XX%	F515 únicamente. La unidad se apaga si la temperatura de entrada está por debajo de los 45 °F. Se vuelve a encender cuando la entrada alcanza los 50 °F.	Ninguna
CICLO ALTA TEMP. MIN RESTANTES XX	Se llegó al límite de sobrecarga de la unidad. Se inició el enfriamiento.	Ninguna
--- DESCONGELE XX	La unidad se está descongelando con cuenta regresiva en segundos.	Ninguna
ESPERE A QUE SE DESCONGELE XXX	La unidad se apaga cuando la bobina está fría o si ya está en un ciclo de descongelación. Procede a terminar el ciclo o a iniciar uno que libere las bobinas de hielo antes de su almacenamiento.	Ninguna
ESPERE A QUE SE SECADO XXX	Ocurre cuando la unidad se apaga y la bobina no está congelada. Saca el agua de las bobinas antes de su almacenamiento.	Ninguna
LIMPIAR FILTRO > ---	Indica limpiar o cambiar el filtro.	Cambiar o limpiar el filtro. Presionar la tecla > para restablecer
LIMPIAR BOBINA > ---	Indica limpiar las bobinas y el interior.	Limpia las bobinas. Presionar la tecla > para restablecer

## MENSAJES DEL SISTEMA

El panel de control mostrará los siguientes mensajes con base en el desempeño del sistema y las condiciones ambientales. En caso de que se requieran, se indican las acciones del usuario en la tercera columna.

CONTROL PANEL MESSAGE	EXPLANATION	USER ACTION
INICIALIZAR	La unidad está encendiendo.	Ninguna
VERSION FIRMWARE XXX	Indica el número de versión del firmware del tablero de control.	Ninguna
FXXX-XXX	Número de modelo.	Ninguna
APAGADO	La unidad ha terminado de encender y está funcionando.	Ninguna
POR FAVOR ESPERE RETAR COMPRS XX	60s de espera antes de que encienda el compresor. Permite que se iguale la presión del sistema.	Ninguna
PRENDIDO XXXX HR ENTRADA XXX°C/ XX%	Primera línea: indica el total de horas de operación. Segunda línea: Alterna cada 2 segundos entre la temperatura de entrada y la humedad relativa de entrada.	Ninguna
HIGROSTATO ENTRADA XXX°C/ XX%	Primera línea: indica que la unidad está en modo de higróstico Segunda línea: Alterna cada 2 segundos entre la temperatura de entrada y la humedad relativa de entrada.	Ninguna
BAJA TEMP ENTRADA XXX°C/ XX%	F515 únicamente. La unidad se apaga si la temperatura de entrada está por debajo de los 45 °F. Se vuelve a encender cuando la entrada alcanza los 50 °F.	Ninguna
CICLO ALTA TEMP. MIN RESTANTES XX	Se llegó al límite de sobrecarga de la unidad. Se inició el enfriamiento.	Ninguna
--- DESCONGELE XX	La unidad se está descongelando con cuenta regresiva en segundos.	Ninguna
ESPERE A QUE SE DESCONGELE XXX	La unidad se apaga cuando la bobina está fría o si ya está en un ciclo de descongelación. Procede a terminar el ciclo o a iniciar uno que libere las bobinas de hielo antes de su almacenamiento.	Ninguna
ESPERE A QUE SE SECADO XXX	Ocurre cuando la unidad se apaga y la bobina no está congelada. Saca el agua de las bobinas antes de su almacenamiento.	Ninguna
LIMPIAR FILTRO > ---	Indica limpiar o cambiar el filtro.	Cambiar o limpiar el filtro. Presionar la tecla > para restablecer
LIMPIAR BOBINA > ---	Indica limpiar las bobinas y el interior.	Limpia las bobinas. Presionar la tecla > para restablecer

## MENSAJES DE ERROR

Si el sistema de control detecta un error, se producirá un mensaje de error ("ER"). Si esto ocurre, desconecte la unidad y luego conéctela de nuevo. Por lo general, esto restablecerá la parte electrónica, y la unidad comenzará a funcionar normalmente. Si el mensaje de error vuelve a aparecer, consulte las explicaciones y soluciones que se muestran a continuación. Si estas soluciones no se resuelven el problema, póngase en contacto con su centro de servicio local autorizado.

MENSAJE DEL PANEL DE CONTROL	EXPLICACIÓN Y SOLUCIÓN
ER4 CONEXION SENSOR DESCONG or ER4 CONEXION SENSOR SALIDA	Sensor de temperatura abierto, faltante, o en cortocircuito. Compruebe que los sensores de temperatura estén instalados correctamente en el panel de control. Si el error persiste, comuníquese al centro de servicio.
ER5 CONEXION SENSOR TABLERO	Sensor de temperatura/humedad relativa de entrada abierto, faltante, o en cortocircuito. Compruebe que el sensor de temperatura/humedad relativa esté instalado correctamente en el panel de control y la cubierta de entrada. Si el error persiste, comuníquese al centro de servicio.
ER6 CONTACTAR CENTRO DE SERV	Falla en el sensor de corriente. Si el error persiste, comuníquese al centro de servicio.
ER7 INVAL AJUSTE	Configuración incorrecta o incompatible de los interruptores DIP. Comuníquese al centro de servicio de Dri-Eaz para obtener la configuración correcta de los interruptores DIP.
ER8 BOTON ATORADO	La tecla se ha atascado o se ha oprimido por demasiado tiempo. Comuníquese al centro de servicio.
ER9 BOMBA TAPADA BOMBA&MANGUERA	Compruebe si hay obstrucciones en la manguera de desagüe. Revise la bomba.

## ESPECIFICACIONES

Modelo	LGR 2800i F410	LGR 3500i F411
Peso	160 lb   72.6 kg	160 lb   72.6 kg
Dimensiones (altura × profundidad × ancho)	48.5 × 23 × 24 in 103 × 58 × 61 cm	48.5 × 23 × 24 in 103 × 58 × 61 cm
Potencia	8.0 A, 120 V	11.2 A, 120 V
Eliminación de agua según AHAM (80 °F [26.5 °C]/60% de humedad relativa)	130 pt   61.5 por día	170 pt   80.4 l por día
Eliminación de agua máxima (90 °F [32 °C]/90% de humedad relativa)	200 pt   94.6 por día	240 pt   113.6 por día
Eliminación de agua (80 °F [26.5 °C]/20% de humedad relativa)	20 pts.   9.5 l por día	24 pt   11.4 l por día
Cantidad máxima de aire procesado	400 cfm   679.7 m <sup>3</sup> /h*	400 cfm   679.7 m <sup>3</sup> /h*
Rango de temperatura de operación	33°F–125°F 1°C–52°C	33°F–100°F 1°C–38°C
Construcción	Carcasa rotomoldeada	Carcasa rotomoldeada
Seguridad	Certificación de ETL conforme a las normas CSA 22.2 n.º 92	Certificación de ETL conforme a las normas CSA 22.2 n.º 92
Las especificaciones están sujetas a cambios sin previo aviso. Algunos valores pueden ser aproximados. * Velocidad variable automática para optimizar el desempeño.		

## PIEZAS INCLUIDAS

40 ft. (12 m) Manguera de desagüe de 40 pies (12 m) con conexión de acoplamiento rápido.  
25 ft. (7.6 m) Cable de alimentación extraíble  
4-PRO filter (reorder F584 24 pk.)

## ACCESSORIES

VMax Adaptor (F422)  
Sto&Go Ducting (F405)

**PARA PEDIR INFORMACIÓN SOBRE PIEZAS Y SERVICIO, LLAME A SU DISTRIBUIDOR LOCAL o a Dri-Eaz al 800-932-3030.** [LegendBrandsRestoration.com](http://LegendBrandsRestoration.com)

Visite el sitio [warranty.LegendBrandsRestoration.com](http://warranty.LegendBrandsRestoration.com) y registre su compra para garantizar que reciba información sobre los lanzamientos de productos importantes.



**ADVERTENCIA:** Este producto puede exponerlo a sustancias químicas entre las que se incluyen plomo y ftalatos, los cuales son considerados en el estado de California como causantes de cáncer, defectos congénitos u otros daños durante la gestación. Para obtener más información, visite [P65Warnings.ca.gov](http://P65Warnings.ca.gov)



## **Guide d'utilisation**

**Déshumidificateur portable LGR 2800i (F410)**

**Déshumidificateur portable LGR 3500i (F411)**

**DRI-EAZ PRODUCTS, INC.**

15180 Josh Wilson Road, Burlington, WA 98233 (États-Unis)

Téléphone : 800-932-3030 Fax : 360-757-7950 *LegendBrandsRestoration.com*

La gamme de déshumidificateurs Dri-Eaz® LGR « i » réduit l'humidité dans les environnements structurels fermés en éliminant la vapeur contenue dans l'air. La gamme « i » est conçue pour être robuste, durable, facilement transportable et, par conséquent, ces appareils sont les outils parfaits pour les restaurations à la suite de dégâts causés par l'eau, pour le séchage structurel et la construction, ainsi que pour d'autres applications exigeant une déshumidification temporaire à hautes performances.

Patents: <http://www.LBpatents.com>

## **CONSERVER CES INSTRUCTIONS**

### **⚠ AVERTISSEMENT**



### **INSTRUCTIONS DE SÉCURITÉ IMPORTANTES**

**AVERTISSEMENT!** Ne pas modifier d'aucune façon. Utiliser seulement des pièces de rechange autorisées par Dri-Eaz Products, Inc. Toute modification ou l'utilisation de pièces non approuvées peut constituer un danger et annulera votre garantie. Contactez votre distributeur autorisé Dri-Eaz pour obtenir de l'aide.

**AVERTISSEMENT!** Danger de décharge électrique, ventilateur tournant et surfaces très chaudes. Débrancher l'appareil avant d'ouvrir le couvercle pour le nettoyage ou l'entretien. L'appareil doit être mis à la terre.

- Vérifier l'état du cordon d'alimentation avant utilisation. Ne pas l'utiliser si le cordon est endommagé. Pour débrancher, toujours saisir la prise (et non le cordon).
- Enfoncer les trois fiches de la prise du cordon dans une prise de courant mise à la terre. Ne pas utiliser d'adaptateur. Ne jamais sectionner la troisième fiche. Ne pas utiliser de rallonge.
- L'appareil doit fonctionner sur un circuit de 115V/60 Hz protégé par un disjoncteur de fuite à la terre.

- Ne pas mettre l'appareil en marche lorsque de l'eau stagne en surface. Le moteur et le câblage doivent rester secs.

### **PRÉLIMINAIRES**

#### **Enregistrement de la garantie**

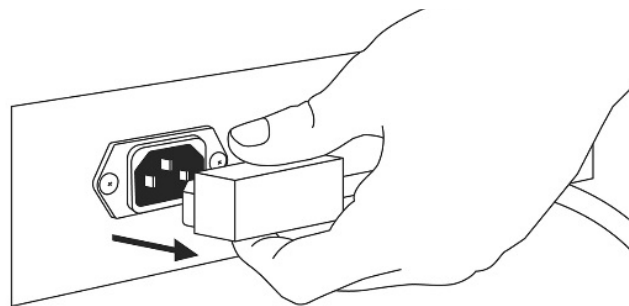
Enregistrez votre appareil sur le site *warranty.LegendBrandsRestoration.com*.

L'enregistrement nous aidera à vous donner des conseils judicieux quant à l'utilisation, l'entretien ou la réparation de votre appareil et de vous contacter au cas où nous aurions des renseignements importants en matière de sécurité touchant à votre produit Dri-Eaz. Si vous estimez qu'une réparation s'impose, procurez-vous

### **COMMENT BIEN ENLEVER LE CORDON ÉLECTRIQUE**

**Saisir la prise IEC et tirer en la tenant droite**

**IMPORTANT :** Les dommages occasionnés au récipient ou au déshumidificateur IEC en raison d'un retrait incorrect du cordon électrique ne sont pas couverts par la garantie. Le cordon électrique IEC étant une pièce d'usure, il n'est pas couvert par la garantie.



le modèle de l'appareil, le numéro de série et la preuve d'achat originale, puis appelez votre distributeur pour obtenir une autorisation de retour d'article (RMA).

## INTRODUCTION

Les déshumidificateurs Dri-Eaz réduisent l'humidité dans les environnements structurels fermés en éliminant la vapeur d'eau contenue dans l'air. Lorsqu'ils sont utilisés correctement, les déshumidificateurs peuvent aider à sécher les moquettes, les sous-tapis, les planchers, les murs, le contenu d'un bâtiment, et bien plus. L'utilisation de déshumidificateurs DriEaz peut également aider à prévenir des dommages secondaires causés par des taux d'humidité élevés. Pour obtenir les meilleurs résultats possibles, utilisez les déshumidificateurs avec les appareils aérauliques TurboDryer de Dri-Eaz, en les plaçant sur le périmètre de la pièce afin de distribuer l'énergie thermique et de dégager l'humidité provenant des surfaces mouillées dans l'air.

## Fonctionnement des déshumidificateurs de la gamme LGR

Les déshumidificateurs réfrigérants à grains Dri-Eaz fonctionnent en attirant l'air humide à travers un noyau d'évaporation extrêmement froid. L'humidité de l'air se condense sur le serpentin. Sous certaines conditions, l'appareil fonctionne en mode de dégivrage, réchauffe tout le givre qui aurait pu s'accumuler sur le serpentin de l'évaporateur et le transforme en eau. L'eau est recueillie dans un plateau et est pompée à travers un tuyau. Les

capteurs incorporés surveillent continuellement les conditions ambiantes et le fonctionnement du système de l'humidificateur, y compris la température et l'humidité relative; ces données peuvent être visualisées sur le panneau d'affichage.

Les déshumidificateurs réfrigérants à grains (LGR - *Low Grain Refrigerant*) offrent de meilleures capacités d'échange thermique et de dégivrage que les déshumidificateurs standard réfrigérants. Ils peuvent donc continuer à éliminer l'humidité dans des atmosphères plus sèches.

## MISE EN PLACE D'UN DÉSHUMIDIFICATEUR

Pour obtenir les meilleurs résultats possibles, faites fonctionner vos déshumidificateurs dans une zone fermée, vu que ceci crée une chambre de séchage. Fermez toutes les portes et toutes les fenêtres qui s'ouvrent vers l'extérieur afin de permettre à l'appareil d'éliminer l'eau de manière la plus efficace possible. Assurez-vous également que les allées et venues dans la chambre de séchage sont rares. Placez le déshumidificateur contre un mur, loin de toute obstruction, et loin de tout objet qui pourrait bloquer le débit d'air qui entre et sort de l'appareil.

Pour obtenir de l'information supplémentaire sur la création d'un environnement de séchage optimal, contactez Dri-Eaz au 800-932-3030.

## IDENTIFICATION DES PIÈCES

FIG. A : AVANT

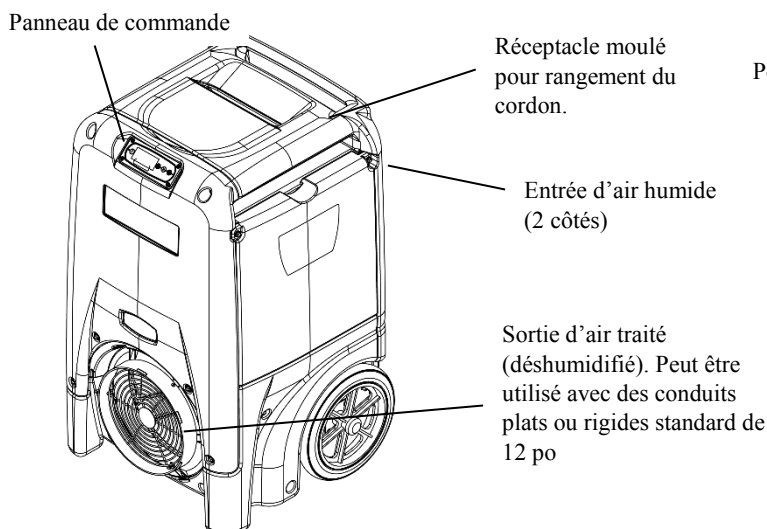
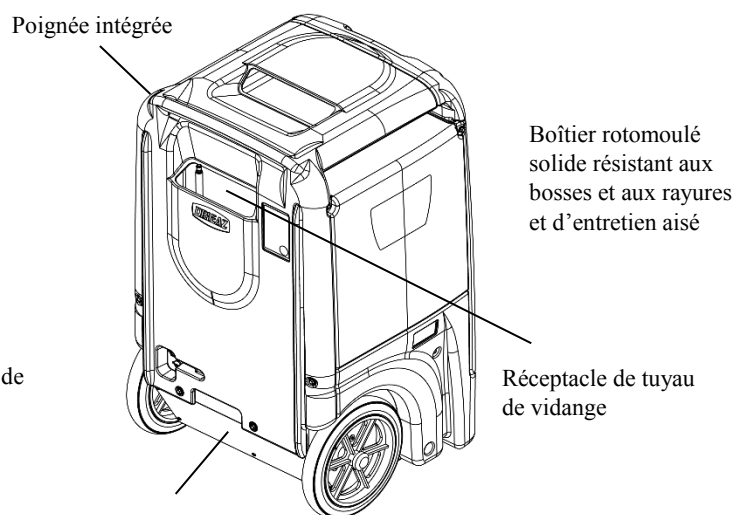
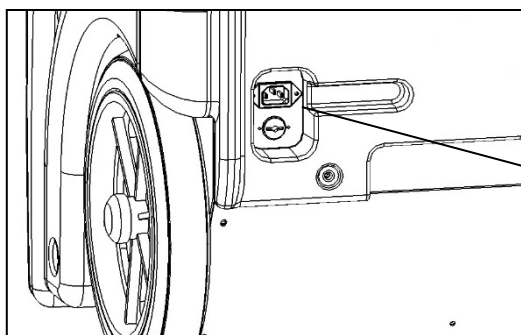


FIG. B : ARRIÈRE



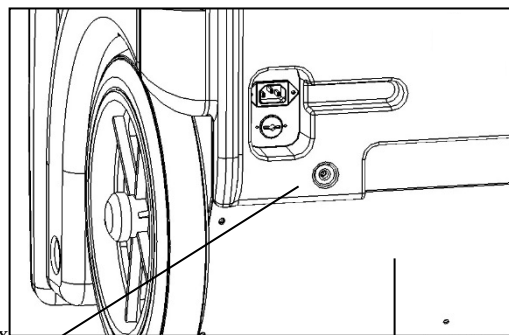
Panneau arrière inférieur. Retirez-le pour accéder à la pompe à des fins d'entretien.

**FIG. C : POINTS DE FIXATION DE L'ALIMENTATION ET DE LA POMPE**



Prise femelle du cordon

**FIG. D : PANNEAU D'ACCÈS DE LA POMPE**



Bas du boîtier en polyéthylène. Retirez deux boulons pour déposer la pompe pour nettoyage

Panneau arrière inférieur. Retirez les cinq vis de retenue pour déposer la pompe pour nettoyage.

## FONCTIONNEMENT DU DÉSHUMIDIFICATEUR

### Placement vertical de l'appareil

**AVIS** - Si vous transportez un déshumidificateur de gamme « i » en position horizontale, placez-le en position verticale et laissez-le ainsi pendant 30 minutes au moins avant de le mettre en marche. Lorsque l'appareil est à l'horizontale, l'huile en provenance du compresseur s'écoule dans les serpentins réfrigérants, diminuant la capacité de fonctionnement du déshumidificateur. L'huile retourne dans le compresseur lorsque l'appareil est en position verticale pendant 30 minutes.

### Pose du tuyau de vidange

La pompe à condensats des déshumidificateurs de gamme « i » est raccordée à un tuyau de vidange en plastique qui se trouve dans le réceptacle situé à l'arrière de l'appareil. Ce tuyau est doté d'un raccord rapide qui permet de le fixer rapidement au tuyau de vidange de 40 pieds fourni. Déballez le tuyau au complet et placez l'extrémité non attachée dans un évier, un drain, un seau, ou à l'extérieur, dans un endroit où l'eau peut s'écouler sans danger. Si vous utilisez un seau ou un autre récipient pour recueillir l'eau, vérifiez-le souvent pour éviter tout débordement.

**REMARQUE** - Déroulez et redressez le tuyau de vidange au complet. Ne laissez aucune partie du tuyau enroulé sur l'appareil et ne placez pas l'extrémité du tuyau à une hauteur supérieure à 6 m (20 pieds) au-dessus de l'appareil. Assurez-vous également de l'absence d'entortillements et d'obstructions qui pourraient restreindre le débit de

l'eau. L'eau pourrait remonter dans la pompe si cela se produisait, et vous auriez des fuites.

### Branchement du cordon électrique

Le déshumidificateur de gamme « i » doit être branché sur une prise de 115 volts protégée par un disjoncteur de fuite de terre avec un régime nominal minimum de 15 ampères. Retirez le cordon de son réceptacle de rangement et déroulez-le. Commencez toujours par brancher le cordon fermement sur l'appareil, puis branchez l'autre extrémité sur une prise appropriée.

### Mise sous tension de l'appareil

Le panneau de commande des déshumidificateurs de gamme « i » présente un afficheur et quatre touches de commande. Appuyez sur le bouton

① **MARCHE/ARRÊT** pour mettre l'appareil sous tension.

### Mode d'emploi du panneau de commande

Le panneau de commande comprend un écran et un clavier tactile avec quatre touches.

① **MARCHE/ARRÊT**. Appuyez sur la touche Marche/Arrêt pour mettre l'appareil en marche ou pour l'arrêter. Lorsque l'appareil se met en marche, l'écran indique généralement SVP ATTENDRE COMP. DIFFERE XX et effectue un compte à rebours numérique d'un maximum de 60 secondes jusqu'à 0. Ce délai fournit le temps nécessaire pour l'équilibrage des pressions du fluide frigorigène afin de faciliter le démarrage. Si vous ne voyez pas de compte à rebours du compresseur différé, aucun délai n'est nécessaire et l'appareil commence à fonctionner immédiatement.

Lorsque l'appareil a terminé le délai du compresseur, l'écran affiche XXXX HRS TRAVAIL et effectue un cycle entre ENTREE XX°C et ENTREE XX% .

**MENU D’AFFICHAGE.** Appuyez sur la touche de MENU D’AFFICHAGE pour parcourir l’affichage de conditions supplémentaires du déshumidificateur et les paramètres utilisateur. Appuyez une fois sur le bouton MARCHE/ARRÊT pour retourner au menu principal.

**SÉLECTION DE MENU.** Appuyez sur la touche SÉLECTION DE MENU pour changer les valeurs des « paramètres utilisateur ». La touche SÉLECTION DE MENU agit comme touche VERS LE HAUT pour régler le point de consigne pour le mode de fonctionnement de l'hygrostat. Reportez-vous à la section Menu de paramètres utilisateur (ci-dessous) pour de plus amples détails.

**PURGE.** Appuyez sur la touche PURGE pour vidanger manuellement l’eau du réservoir de la pompe du condensat. **AVIS** - Appuyez toujours sur la touche de purge avant de déplacer l'appareil. Lors d'un fonctionnement normal, la pompe effectue automatiquement une purge toutes les six minutes, ou chaque fois que le réservoir est plein. L’affichage indique PURGE POMPE avec un compte numérique à rebours.

### Affichage de menu principal

Lors du premier branchement de l'appareil sur une prise secteur, l’affichage du panneau de commande passe brièvement par une série d’affichages. Ceci fait partie de la procédure d’autodiagnostic de l'appareil et l'utilisateur n'a pas besoin d'intervenir.

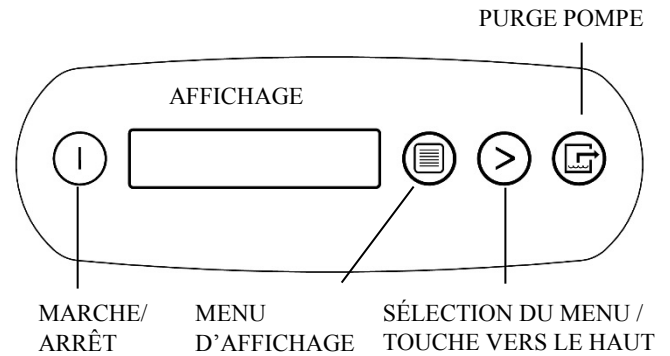
Lorsque l'autodiagnostic est terminé, l'écran affiche les données suivantes :

**XXXX HRS TRAVAIL**  
**ENTREE XXX°C / ENTREE XXX%**

La première ligne de l’affichage indique le nombre total d’heures pendant lesquelles l'appareil est en fonctionnement. Cette valeur peut être réinitialisée à zéro pour noter le nombre d’heures de travail (reportez-vous à la section « Réinitialisation des heures en marche » ci-dessous). La deuxième ligne de l’affichage alterne entre la température d’entrée et l’humidité d’entrée.

Pour obtenir des instructions détaillées du panneau de commande.

## PANNEAU DE COMMANDE



MARCHE/ARRÊT

Appuyez et relâchez pour allumer ou éteindre l'appareil.

MENU D’AFFICHAGE

Appuyez pour sélectionner l'article suivant du menu. L'article du menu apparaîtra sur l'affichage.

SÉLECTION DU MENU / TOUCHE VERS LE HAUT


Appuyez pour faire défiler ou sélectionner les valeurs affichées du menu.

PURGE POMPE






























Appuyez et relâchez pour faire démarrer la purge. L'affichage comptera à rebours les secondes restantes jusqu'à la fin de la purge.

## Paramètres de l'utilisateur

Seuls les éléments du menu suivis du symbole « supérieur à » (>) peuvent être réglés. Si aucune touche n'est sélectionnée pendant 5 minutes pour les écrans : ENTRÉE-SORTIE, GRAIN DPR (ENTRÉE-SORTIE pour les modèles en 230 V), l'affichage reviendra au mode d'affichage normal. Pour tous les autres éléments du menu, l'affichage reviendra au mode d'affichage normal après 20 secondes. Les éléments sans le symbole (>) ne sont là que pour information et ne peuvent pas être modifiés ou réinitialisés.

Appuyer sur  **MENU AFFICHAGE** pour passer à l'option suivante du menu. ↓

Appuyer sur  **SÉLECTION DE MENUS** pour modifier les paramètres. →

 1. HRS REINICIAR> FALLA DE LUZ X		1. H DE TRABAJO 0 FALLA DE LUZ 0			Appuyer sur  pour réinitialiser à 0.			
 2. ENTRADA SALIDA 100' 80% 115' 30%	<i>Pour information seulement.</i>							
 3. ENTRADA-SALIDA XX.X g/kg								
 4. FILTRO VÉRIFIER XXX HR >		5. FILTRO VÉRIFIER 0 HRS	Appuyer sur  pour effacer les heures du filtre.					
 5. LIMPIAR BOBINA XXX HRS >		5. LIMPIAR BOBINA 0 HRS	Appuyer sur  pour effacer les heures de la bobine.					
 6. HIGROSTATO MODO APAGADO>		6. HIGROSTATO MODO PRENDIDO>	Appuyer sur  pour allumer ou éteindre.					
 7. CONSIGNA HIGROSTATO XX%>		Appuyer sur  pour faire défiler de 40% à 90% par incréments de 5% (le défaut est 50%).						
 8. IDIOMA ESPANOL >		8. SPRACHE DEUTSCH >		8. LANGUE FRANCAIS >		8. LANGUAGE ENGLISH >	Appuyer sur  pour modifier l'option de langue.	
 9. TEMPERATURA 'C >		9. TEMPERATURA 'F >	Appuyer sur  pour passer de °F à °C.					
 10. TEMP BOBINA XX'	<i>Pour information seulement.</i>							
 11. CORR COMPR XX.X A	<i>Pour information seulement.</i>							
 12. FIRMWARE 3.0X FXXX-XXX	<i>Pour information seulement.</i>							
 13. TOTAL DE HRS XXXX HR								

(Retour aux éléments du menu principal.)

La partie suivante n'est disponible que pour les unités équipées sans fil.

14. SENSOR ID  
XXXXXXXX

(Retour aux éléments du menu principal.)

## À LA FIN DES TRAVAUX

Pour réduire la possibilité d'égouttement lors du transport de l'unité, suivez ces étapes supplémentaires pour s'assurer que toute l'eau est évacuée de l'appareil.

REMARQUE : Pour s'assurer que toute l'eau est évacuée du déshumidificateur, l'appareil termine le cycle de dégivrage même si l'appareil est éteint. Si l'appareil est débranché durant le cycle de dégivrage, un excédent d'eau peut s'accumuler dans l'appareil et goutter lors de son déplacement.

REMARQUE : Pour s'assurer que le réservoir de condensation se vide complètement durant la purge, vérifiez que l'appareil est placé en station debout sur une surface horizontale.

**1. Si l'appareil est en cycle de dégivrage, attendez qu'il revienne en mode de fonctionnement normal avant de continuer. Pour vérifier, examinez le tableau de commande. Il affiche l'un des messages suivants :**

*Dégivrage en cours :*

**XXXX HRS TRAVAIL  
LE DEGIVRAGE XX**

Mode d'affichage lorsque l'appareil est en mode de dégivrage. XX indique les secondes restantes pour le cycle de dégivrage.

*Séquence d'arrêt*

**ATTENDRE  
LE DEGIVRAGE XX**

Mode d'affichage lorsque l'unité est en mode de dégivrage et que l'appareil est éteint (éteint par l'utilisateur). L'appareil termine le cycle de dégivrage pour éliminer la glace accumulée puis purger la pompe. XX indique les secondes restantes pour le cycle de dégivrage.

*Séquence de séchage*

**ATTENDRE LE SÉCHAGE  
DE L'UNITÉ XX**

Mode d'affichage lorsque l'unité n'est pas en mode de dégivrage et est hors tension (éteinte par l'utilisateur). L'unité termine le cycle de séchage de 5 minutes puis le processus de purge de la pompe. XX indique les secondes restantes pour le cycle de séchage.

*Affichage normal :*

**UNITÉ SUR 00 H  
ENTREE XX° C / ENTRÉE XX%**

Attendez que le tableau de commande reprenne son affichage normal avant de continuer.

**2. Basculez légèrement la machine pour s'assurer que l'eau restant sur les surfaces intérieures s'écoule dans le puisard.**

**3. Appuyez sur la touche  PURGE. Lorsque le cycle de purge est terminé, éteignez l'unité.**

**4. Débrancher le tuyau de vidange externe, égoutter soigneusement, l'enrouler et le fixer dans la poche ou la sangle fournie avec votre appareil.**

## MAINTENANCE

### AVERTISSEMENT! RISQUE DE CHOC

**ÉLECTRIQUE.** Débranchez le déshumidificateur de gamme « i » avant de procéder à une maintenance quelconque.

### Avant chaque utilisation

#### Regardez si le cordon électrique est intact.

Recherchez la présence d'effilochage, de coupures, etc. N'utilisez pas l'appareil si vous avez découvert des défauts. Appelez Dri-Eaz au 800-932-3030 pour obtenir les coordonnées du centre de services le plus proche.

**Examinez et videz le filtre selon les besoins.** Le déshumidificateur de gamme « i » comprend un filtre à débit d'air élevé (4-PRO). Le filtre 4-PRO peut être nettoyé à l'aspirateur et être réutilisé jusqu'à trois fois. **Ne rincez pas et ne lavez pas le filtre 4-PRO**, vu que ceci réduira l'efficacité du matériau électrostatique.

Conservez un filtre propre dans l'appareil, afin de protéger les composants internes contre l'accumulation de poussière et autres particules. Passez l'aspirateur ou remplacez le filtre avant chaque travail. Remplacez-le uniquement avec un nouveau filtre 4-PRO (Pièce Dri-Eaz N° F584). Appelez votre distributeur local pour les pièces et services, ou appelez le service technique Dri-Eaz au 800-932-3030 ou au 360-757-7776.

**ATTENTION** - La poussière peut causer une surchauffe et un arrêt de l'appareil. N'utilisez pas celui-ci en présence d'une quantité excessive de particules en suspension dans l'air, comme lors de travaux de ponçage ou de peinture au pistolet. Examinez et nettoyez fréquemment les serpentins et les éléments du filtre à air.

**IMPORTANT** - Remplacez le filtre 4-PRO chaque fois que le filtre a été utilisé lors d'un travail de restauration en raison de moisissures, ou s'il a été exposé à d'autres impuretés présentant un danger potentiel.

### Tous les mois

**Examinez les serpentins.** Les serpentins sales peuvent créer une surchauffe de l'appareil. Nettoyez-les si ils présentent une saleté évidente. Reportez-vous à la section « Nettoyage », page 32.

**Examinez le bloc d'échange thermique.** Nettoyez-le avec de l'air comprimé uniquement. Veillez à ne pas endommager le bloc.

### ENTRETIEN DE LA POMPE ET DU PLATEAU DE RÉCUPÉRATION

Pour que l'appareil continue de bien fonctionner, la pompe et le plateau doivent être périodiquement

déposés et nettoyés. Suivez ces étapes de nettoyage de la pompe et du plateau de récupération :

### Outils nécessaires

- Tournevis Philips
- Tournevis à lame plate
- Clé à cliquet avec embouts  $\frac{3}{8}$  po et  $\frac{15}{16}$  po
- Pince à bec effilé
- Chiffons

### DÉPOSE ET NETTOYAGE

1. Débranchez d'abord l'appareil, puis retirez le cordon de la prise inférieure de l'appareil. Détachez le tuyau de pompe de son raccord rapide.
2. Enlevez le filtre 4-PRO.
3. Dévissez le couvercle avant supérieur (deux boulons).
4. Dévissez les couvercles latéraux A et B (deux boulons pour chaque panneau, cf. Fig. A).
5. Dévissez le panneau arrière inférieur (quatre boulons) : le panneau arrière/supérieur peut alors être retiré.
6. Dévissez le panneau métallique arrière inférieur (cinq vis de fixation).
7. Placez une cale solide sous l'appareil pour pouvoir enlever la roue gauche.
8. Avec le tournevis à lame plate, décrochez avec soin l'enjoliveur de la roue gauche.

Dévissez l'écrou de retenue avec la douille  $\frac{15}{16}$  po, puis enlevez la roue. Cf. Fig. E, n° 1.

9. Dévissez le boîtier électrique (deux vis de fixation, cf. Fig. E, n° 2.).

10. Inclinez la base du boîtier vers la droite et faites-le glisser pour le sortir (Fig. F). Vous n'avez pas besoin de débrancher des fils électriques.

11. Retirez le tuyau de vidange de la pompe, puis sortez la pompe et le plateau.

12. Levez le corps de pompe hors du plateau en plastique.

### NETOYAGE DE LA POMPE ET DU PLATEAU DE POMPE

13. Essuyez ou rincez le plateau avec un chiffon humide.

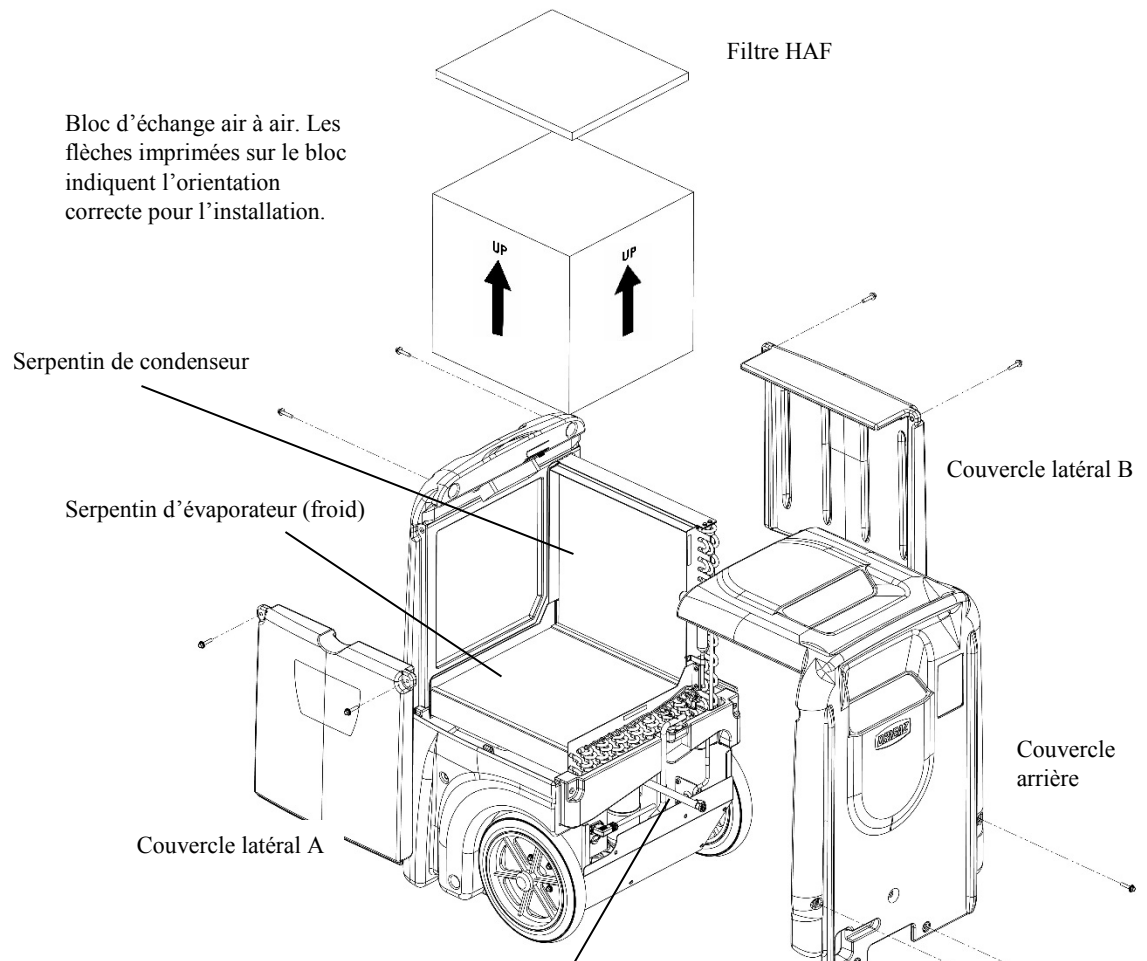
14. Passez un chiffon humide sur toute la pompe.

15. Détachez le tuyau de sortie du clapet de non-retour.

16. Dévissez le clapet de non-retour. Avec la pince à bec effilé, retirez délicatement la partie inférieure du clapet : insérez la pince  $\frac{1}{8}$  po environ dans le trou, serrez et tirez doucement. Un petit roulement à billes devrait sortir : attention de ne pas le perdre ! Vérifiez l'état de l'ensemble et nettoyez-le de façon appropriée. Remettez en place le roulement, puis le clapet de non-retour.

Réassemblez les articles en suivant les étapes en sens inverse. Le déshumidificateur est maintenant prêt à l'emploi.

**FIG. G : NETTOYAGE**



Tuyau de pompe – enflez vers le haut par l'orifice inférieur du réceptacle du tuyau arrière avant de replacer le couvercle

## Tous les ans

Faites faire une vérification du système de pompe par le service technique de Dri-Eaz (800-932-3030) ou par un centre de services qualifié.

## TRANSPORT ET ENTREPOSAGE

**AVIS** - Manipulez l'appareil avec le plus grand soin. Ne le laissez pas tomber, ne le lancez pas, et ne le placez pas dans un endroit d'où il pourrait tomber.

L'équipement pourrait subir des dommages s'il est traité sans précaution, ce qui pourrait créer des conditions dangereuses ou annuler la garantie.

- N'exposez pas le panneau de commande à la moisissure, à la neige ou à la pluie lorsque vous le transportez dans des véhicules non couverts, tels que des camions à plate-forme.
- Entrez-le et transportez-le en toute sécurité afin d'éviter tout impact nuisible sur les pièces internes.

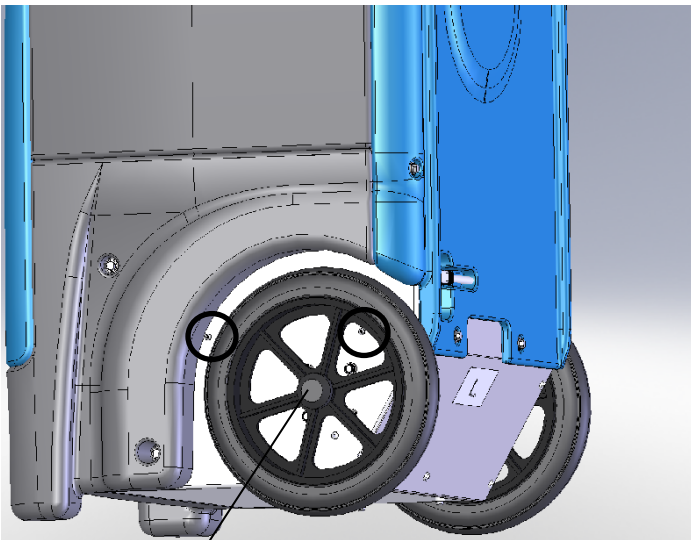
## NETTOYAGE

**Avertissement!** Débranchez l'appareil avant tout entretien.

Pour assurer un fonctionnement efficace de l'appareil, assurez-vous que les serpentins et le bloc d'échange thermique restent propres. Vous pouvez accéder sans difficulté à ces composants en retirant les couvercles latéraux et arrière de l'appareil, tel que décrit ci-dessous:

1. Débranchez l'appareil.
2. Débranchez le cordon d'alimentation de sa prise femelle, dans la base de l'appareil. Retirez le tuyau de la pompe au niveau du raccord rapide.
3. Retirez le filtre 4-PRO.

### FIG. E : VIS DE FIXATION DU BOÎTIER ÉLECTRIQUE



1. Après avoir placé une cale sous l'appareil, retirez l'enjoliveur, puis desserrez l'écrou. La roue peut alors être retirée. 2. Dévissez le boîtier électrique (deux vis, cf. cercles dans la figure ci-dessus).

4. Retirez les deux couvercles latéraux A et B (dévissez les deux boulons indiqués pour chaque panneau).
5. Retirez le couvercle arrière (dévissez les quatre boulons indiqués sur l'arrière et les deux boulons situés sur le panneau avant supérieur).
6. Déposez le bloc d'échange thermique.

Examinez le bloc d'échange thermique avec soin. Si nécessaire, utilisez de l'air comprimé pour nettoyer les canaux du bloc, en veillant à ne pas endommager le bloc.

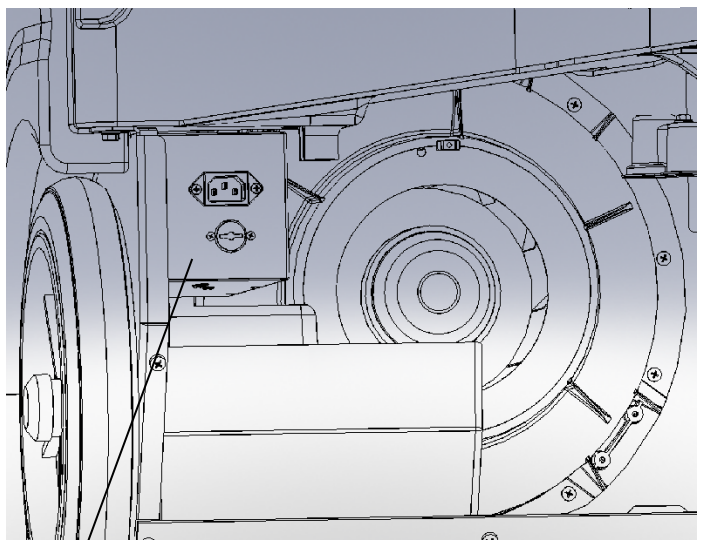
**AVIS** - L'appareil est doté de capteurs électroniques sensibles. Protégez-les contre tout impact et ne les exposez pas à de l'eau ou à des solutions de nettoyage.

Passez l'aspirateur ou utilisez de l'air comprimé sur les deux côtés du serpentin vertical (condenseur), jusqu'à ce qu'il soit propre. Veillez à ne pas laisser la buse entrer en contact avec les ailettes, ce qui pourrait les endommager.

**AVIS** - Le nettoyant pour serpentins Dri-Eaz (Pièce Dri-Eaz n° S402) peut seulement être utilisé sur le serpentin froid (évaporateur) horizontal. Suivez les instructions fournies sur l'étiquette du produit. Veillez à ne pas vaporiser ou étaler le nettoyant pour serpentins sur des composants électriques ou les capteurs. Pour nettoyer le serpentin vertical, communiquez avec le service pour des instructions.

Pour le remontage, suivez les étapes ci-dessus dans l'ordre inverse. Veillez à bien remonter le bloc d'échange thermique en respectant son orientation de départ. Lors

### FIG. F : EMPLACEMENT DU BOÎTIER ÉLECTRIQUE



Après avoir enlevé les vis (Fig. E), inclinez le bas du boîtier vers la droite, puis faites-le glisser pour le sortir. Mettez-le de côté. Il n'y a aucun fil électrique à débrancher.



de la mise en place du couvercle arrière, enfitez pour commencer le tuyau de la pompe avec précaution par l'orifice situé dans le réceptacle arrière.

**AVIS** - Des bandes en caoutchouc sont attachées sur les bords extérieurs des serpentins de l'évaporateur et

du condenseur, afin de fournir un joint étanche à l'air autour du bloc d'échange thermique. Lors de la réinstallation du bloc, assurez-vous que les joints sont en place et qu'ils ne sont pas tordus ou repliés.

## BOUTON DE LA PURGE DE LA POMPE

Le panneau de commande affichera le message suivant lors d'une pression sur le bouton de la purge de la pompe.

MESSAGE DU PANNEAU DE COMMANDE	EXPLICATION
--- PURGA DE AGUA XX	La pompe est purgée avec un compte à rebours en secondes. Appuyer à nouveau sur la touche pour arrêter si nécessaire.

## MESSAGES DU SYSTÈME

Le panneau de commande affichera les messages suivants en fonction de la performance du système et des conditions environnementales. Le cas échéant, l'action de l'utilisateur est indiquée dans la troisième colonne.

MESSAGE DU PANNEAU DE COMMANDE	EXPLICATION	ACTION DE L'UTILISATEUR
INICIALIZAR	Mise sous tension de l'unité.	Aucune
VERSION FIRMWARE XXX	Indique le numéro de version du micrologiciel du tableau de contrôle.	Aucune
FXXX-XXX	Numéro de modèle.	Aucune
APAGADO	La mise sous tension est terminée et l'unité fonctionne.	Aucune
POR FAVOR ESPERE RETAR COMPRS XX	Délai de 60 s avant le démarrage du compresseur. Permet à la pression du système de s'équilibrer.	Aucune
PRENDIDO XXXX HR ENTRADA XXX°C/ XX%	Première ligne : indique le total des heures de fonctionnement. Seconde ligne : Alterne entre la température d'entrée et RH d'entrée toutes les 2 secondes.	Aucune
HIGROSTATO ENTRADA XXX°C/ XX%	Première ligne: indique que l'unité est en mode hygrostat Seconde ligne : Alterne entre la température d'entrée et RH d'entrée toutes les 2 secondes.	Aucune
BAJA TEMP ENTRADA XXX°C/ XX%	F515 seulement. L'unité s'arrête si la température d'entrée est inférieure à 45° F. Remise en marche lorsque la température d'entrée atteint 50° F.	Aucune
CICLO ALTA TEMP. MIN RESTANTES XX	Limite de surcharge de l'unité atteinte. Amorçage du refroidissement.	Aucune
--- DESCONGELE XX	Dégivrage de l'unité avec un compte à rebours en secondes.	Aucune
ESPERE A QUE SE DESCONGELE XXX	L'unité s'arrête lorsque la bobine est froide ou déjà en cours de cycle de dégivrage. Poursuit pour terminer le cycle ou en commencer un autre pour enlever la glace des bobines avant le stockage.	Aucune
ESPERE A QUE SE SECADO XXX	Se produit lorsque l'unité est arrêtée et que la bobine n'est pas gelée. Enlève l'eau des bobines avant le stockage.	Aucune
LIMPIAR FILTRO > ---	Invite à nettoyer ou à changer le filtre.	Changer ou nettoyer le filtre. Appuyer sur la touche > pour réinitialiser
LIMPIAR BOBINA > ---	Invite à nettoyer les bobines et l'intérieur.	Nettoyer les bobines. Appuyer sur la touche > pour réinitialiser

## MESSAGES D'ERREUR

Si le système de contrôle détecte une erreur, il émettra un message d'erreur (« ER »). Si cela se produit, débranchez d'abord l'unité puis rebranchez-la. Généralement, cela réinitialisera les systèmes électroniques et l'unité se mettra à fonctionner normalement. Si le message d'erreur réapparaît, référez-vous aux explications et solutions décrites ci-dessous. Si ces solutions ne règlent pas le problème, contactez votre centre local de services agréé.

MESSAGE DU PANNEAU DE COMMANDE	EXPLICATIONS ET SOLUTIONS
ER4 CONEXION SENSOR DESCONG or ER4 CONEXION SENSOR SALIDA	Le capteur de température est ouvert, manquant ou court-circuité. Vérifier que les capteurs de température sont installés correctement sur le panneau de commande. Si l'erreur persiste, contacter le fournisseur de services.
ER5 CONEXION SENSOR TABLERO	Le capteur de la température/Rh d'entrée est ouvert, manquant ou court-circuité. Vérifier que les capteurs de température/Rh d'entrée sont installés correctement sur le panneau de commande et la flasque d'entrée. Si l'erreur persiste, contacter le fournisseur de services.
ER6 CONTACTAR CENTRO DE SERV	Panne actuelle du capteur. Si l'erreur persiste, contacter le fournisseur de services.
ER7 INVAL AJUSTE	Paramètres des commutateurs DIP incorrects ou incompatibles. Contacter le service client de Dri-Eaz pour obtenir les bons paramètres des commutateurs DIP.
ER8 BOTON ATORADO	Une touche est bloquée ou a été maintenue appuyée trop longtemps. Contacter le fournisseur de services.
ER9 BOMBA TAPADA BOMBA&MANGUERA	Vérifier la présence d'une obstruction dans le tuyau de vidange. Vérifier la pompe.

## FICHE TECHNIQUE

Modèle	LGR 2800i F410	LGR 3500i F411
Poids	160 lb   72.6 kg	160 lb   72.6 kg
Dimensions (H × P × L)	103 × 58 × 61 cm 48,5 × 23 × 24 po	103 × 58 × 61 cm 48,5 × 23 × 24 po
Puissance	8,0 A, 120 V	11,2 A, 120 V
AHAM de retrait d'eau (80 °F/60 % HR)	61,5 litres   130 chopines / jour	80,4 litres   170 chopines / jour
Retrait d'eau max. (90 °F/90 % HR)	94,6 litres   200 chopines / jour	113,6 litres   240 chopines / jour
Retrait d'eau (80 °F/20 % RH)	9,5 litre   20 chopines / jour	11,4 litres   24 chopines / jour
Déplacement de l'air (max)	679,7 CMH* 400 CFM*	679,7 CMH* 400 CFM*
Gamme de température de fonctionnement	33°F–125°F 1°C–52°C	33°F–100°F 1°C–38°C
Construction	Enveloppe rotomoulée	Enveloppe rotomoulée
Sécurité	Certifié ETL pour CSA 22.2 n° 92	Certifié ETL pour CSA 22.2 n°. 92
La fiche technique peut être modifiée sans avis préalable. Certaines valeurs peuvent être approximatives. * Vitesse variable automatique pour assurer les performances optimales.		

Veillez à visiter [warranty.LegendBrandsRestoration.com](http://warranty.LegendBrandsRestoration.com) et à enregistrer votre achat, afin de recevoir des communiqués importants sur les produits.

## PIÈCES INCLUSES

Tuyau de vidange 40 pieds (12 m) avec raccord à connexion rapide.  
Cordon d'alimentation détachable 25 pieds (7,6 m).  
4-PRO filter (F584 24 pk.)

## ACCESSORIES

VMax Adaptor (F422)  
Sto&Go Ducting (F405)

## POUR DES PIÈCES DE RECHANGE ET SERVICE

appeler votre distributeur local ou Dri-Eaz au  
800-932-3030. [LegendBrandsRestoration.com](http://LegendBrandsRestoration.com)



**AVERTISSEMENT :** Ce produit peut vous exposer à des produits chimiques, dont le plomb et les phtalates, reconnus par l'État de la Californie comme étant des substances pouvant causer le cancer, des anomalies congénitales et d'autres troubles de l'appareil reproducteur. Pour de plus amples renseignements, visitez [P65Warnings.ca.gov](http://P65Warnings.ca.gov)