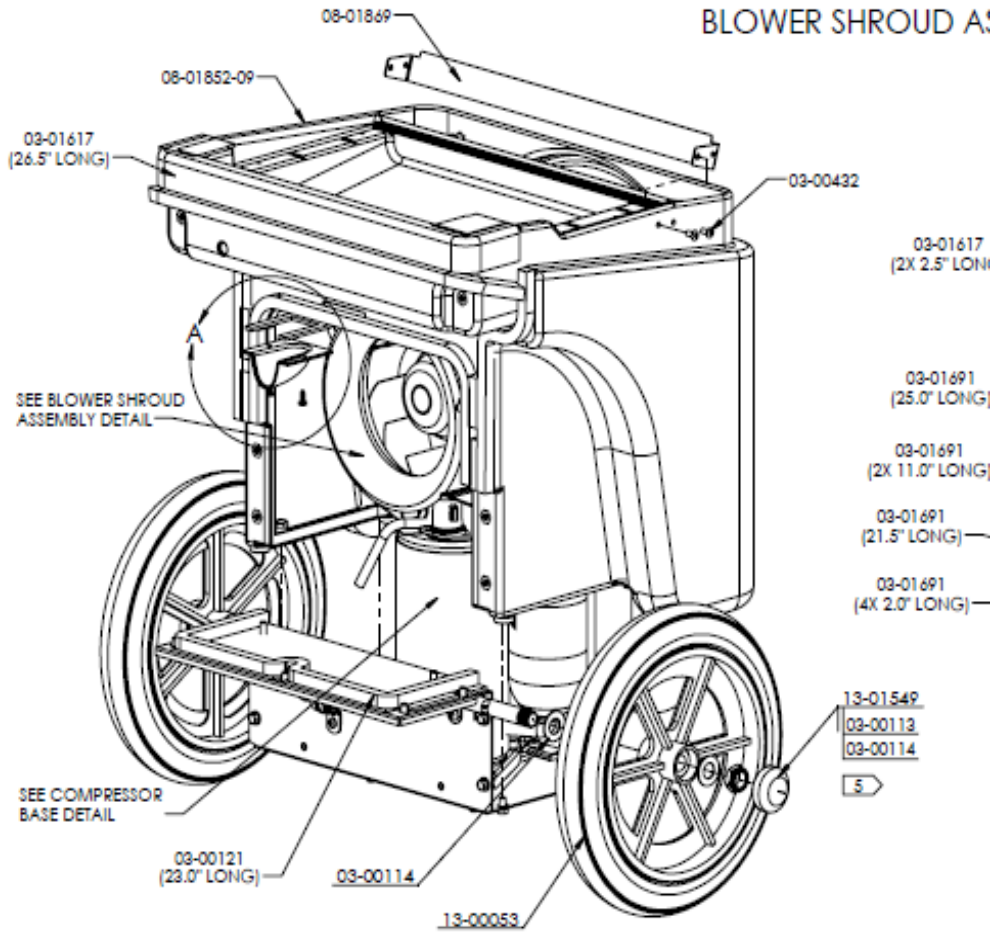


# LGR 7000XLi

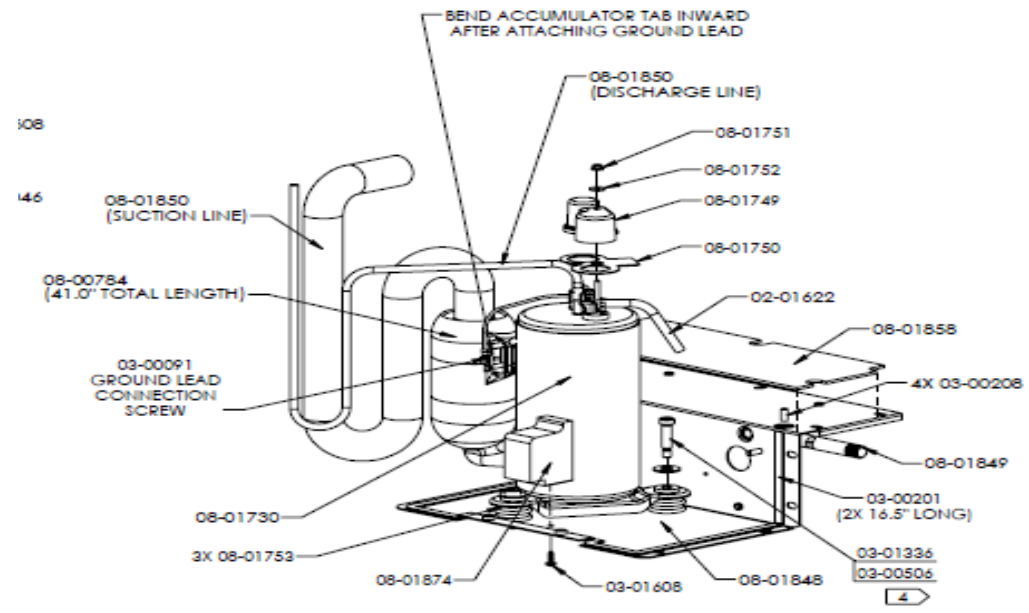
Model: 108110 (F412)

Part Description	New Part#	Old Part#	Uom	Qty
BLOWER ASSY - MOTORIZED IMPELLER 115V 200W 2775 RPM	108407	S559	EACH	1
CABLE ASSY - JACKETED RJ45 7FT	102475	02-01613	EACH	1
POWER CORD ASSY - 14/3 SJTW 5-15P/IEC 25FT	119050	02-01614	EACH	1
RECEPTACLE - INLET IEC 320 W/ MTG EARS	111893	02-01616	EACH	1
FLOAT SWITCH RETROFIT KIT F412/F532	116830	S551	EACH	1
CABLE TIE - 4 NYLON	102216	03-00012	EACH	7
WASHER - 3/16 RIVET .19 ID X .47 OD X .05 ZP	114773	03-00013	EACH	3
WASHER - 1/4 SAE .281 ID X .625 OD X .06 ZP	123048	03-00018	EACH	10
SCREW - #8 X 1/2 PHIL PH ZP	112357	03-00023	EACH	29
RIVET - 3/16 X 1/2 AL/AL BLK ANOD	114104	03-00030	EACH	3
SCREW- #10-24 X 3/8 HWH SER ZP REPLACES 03-00011	112439	03-00091	EACH	5
SCREW - 1/4-20 X 3/8 HWH NYLOC ZP	112428	03-00105	EACH	13
NUT - 5/8-11 UNC THIN ZP	111311	03-00113	EACH	2
WASHER - 5/8 AN .63 ID X 1.187 OD X .06 SS	114776	03-00114	EACH	4
GASKET - 1/2 X 1/2 POLYURETHANE PSA	105177	03-00121	FOOT	1.91
GASKET - .375 X .125 CLOSED CELL NEOPRENE / VINYL / NITRILE PSA	106646	03-00201	FOOT	9.3
FOOT - ROUND PUSH MOUNT .83 OD X .24 RUBBER BLK	117008	03-00202	EACH	5
RIVET - 3/16 X 5/8 TRI FOLD AL/AL	112015	03-00204	EACH	15
RIVET - 3/16 X 3/8 TRI FOLD AL/AL	112013	03-00207	EACH	4
RIVET - 1/4 X 1/4 STL/STL ZP	111942	03-00208	EACH	4
SCREW - 1/4 -20 X 1/2 SER HWH NYLOC ZP	114457	03-00209	EACH	2
RIVET - 3/16 X 1/4 STL/STL BLK	111944	03-00432	EACH	4
CLAMP - 3/8 ID HOSE GRN	110192	03-00471	EACH	1
WASHER - 3/8 USS .43 ID X 1.00 OD X .08 ZP	115108	03-00506	EACH	3
PUSH MOUNT - NYLON TIE	111584	03-00771	EACH	1
BOLT - SHOULDER 5/16-18 X 3/8 X 1.25	102651	03-01336	EACH	3
CABLE TIE - 6 NYLON	103298	03-01463	EACH	1
SCREW - 1/4-20 X 1.25 SER HWH ZP	119398	03-01479	EACH	8
CLAMP - HOSE .5 BLK	103595	03-01481	EACH	1
GASKET - 1 X 1/2 POLYURETHANE PSA	117141	03-01483	FOOT	2.41
GASKET - .62 X .38 W/ RIBS EPDM PSA	105175	03-01485	FOOT	1.84
CLAMP - CABLE .38 WIDE X .25 ID NYLON BLK	103594	03-01488	EACH	2
SCREW - #6 X 1/2 AB PHP ZP	114409	03-01492	EACH	4
GASKET - .375 X .187 EPDM PSA	106647	03-01493	INCH	37.2
SCREW - #10 X .625 PHP ZP	119381	03-01608	EACH	24
SPACER - DUAL LOCKING POST .13 HOLE X .18 OD X .43 NYLON	112957	03-01611	EACH	1
GASKET - 2 X .125 EPDM PSA	105380	03-01617	FOOT	4.2
SCREW - M4 X 8MM PHP ZP	114467	03-01675	EACH	4
SCREW - #10-32 X 1/2 TC HWH SS	119384	03-01678	EACH	4
CLAMP - CABLE 5/8 NYLON BLK	102776	03-01679	EACH	6
GASKET - D .375 x .437 D EPDM PSA	105460	03-01689	FT	3
GASKET - 1/2 X 1/2 PVC PSA	106650	03-01691	FT	16.1
PIN - HAIRPIN COTTER .042 DIA	#N/A	03-01692	EACH	3
GASKET - 1 X 1 POLYURETHANE PSA	105176	03-01693	FOOT	5.7
SCREW - #10 X 1.5 PHP ZP	#N/A	03-01695	EACH	1
GRILL - OUTLET PC GL BLK	117211	04-01486	EACH	1
BOX - 20.38 x 19.88 x 33.63 HH48 ECT DW RSC PLAIN	102717	06-01498	EACH	1
LABEL - BADGE	108904	07-01670	EACH	1
LABEL - WARNING DEHUS	117952	07-01672	EACH	1
LABEL - PRODUCT	109027	07-01773	EACH	1
LABEL - WARNING POWER CORD DEHUS	117956	07-01786	EACH	1
SHROUD - FILTER PC WR BLK DZ1200	119513	08-00210-01	EACH	1
FITTING - QUICK DISCONNECT BODY 1/4 BARB (FEMALE)	105025	08-00302	EACH	1

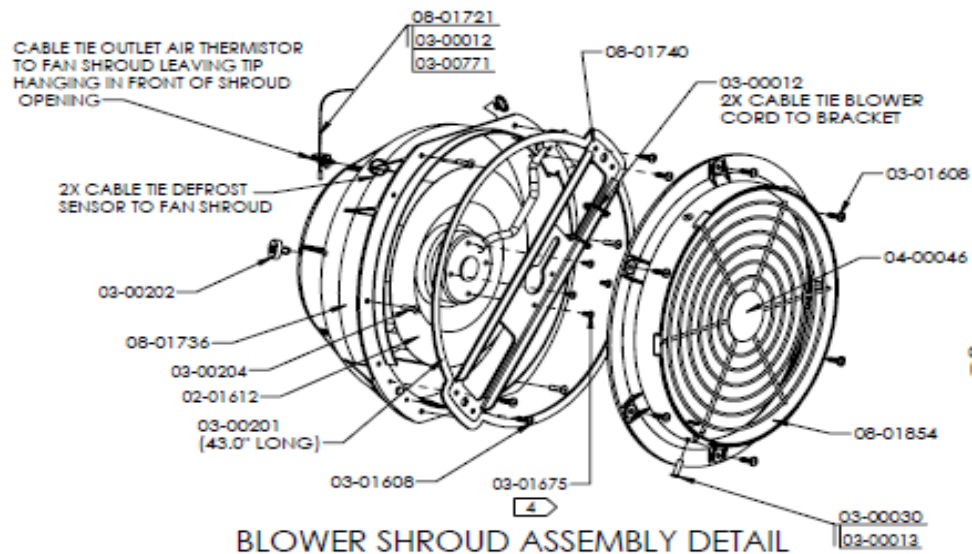
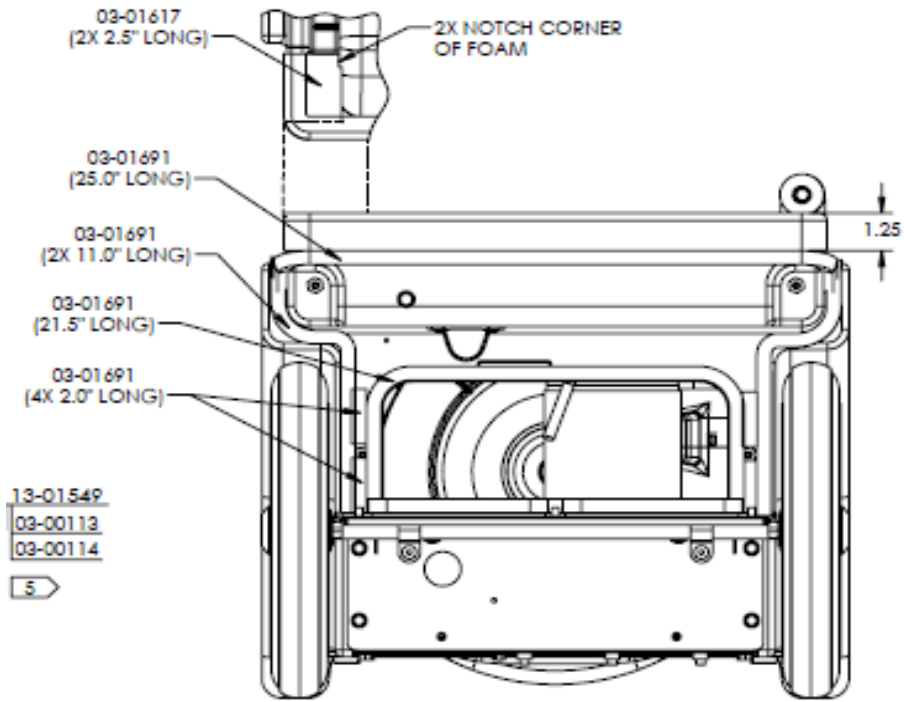
Part Description	New Part#	Old Part#	Uom	Qty
FITTING - QUICK DISCONNECT INSERT 3/8 BARB (MALE)	105026	08-00303	EACH	1
INSULATION - CORK TAPE 2 X .13	106557	08-00784	FOOT	4.08
HANDLE ASSEMBLY	105457	08-01493	EACH	1
REFRIGERANT - R410A	111798	08-01522	OUNCE	22
SENSOR ASSY - TEMP/RH CABLED (FIRMWARE 3.17 OR EARLIER)	112573	08-01716-02	EACH	1
COMPRESSOR - ROTARY 115V LG 8600 R410A	103106	08-01730	Each	1
FAN SHROUD - MOTORIZED IMPELLER ABS BLK	115075	08-01736	EACH	1
BRACKET - MOTORIZED IMPELLER GALV STL	108051	08-01740	EACH	1
INSULATOR - ABS BLK	117660	08-01741	EACH	2
OVERLOAD - COMPRESSOR 115V LG 8600-R410A	111567	08-01748	EACH	1
COVER - COMPRESSOR TERMINAL - 115V LG 8600-R410A	103147	08-01749	EACH	1
GASKET - COMPRESSOR TERMINAL 115V LG 8600-R410A	105183	08-01750	EACH	1
NUT - COMPRESSOR TERMINAL COVER 115V LG 8600 R410A	109653	08-01751	EACH	1
WASHER - COMPRESSOR TERMINAL 115V LG 8600-R410A	116612	08-01752	EACH	1
VIBRATION MOUNT - COMPRESSOR 115V LG 8600-R410A	116512	08-01753	EACH	1
PUMP - SUBMERSIBLE 115V 1.3 GPM 5FT CORD	119094	08-01835	EACH	1
COIL ASSY - EVAPORATOR 410A LGR 7000XLI	103689	08-01843	EACH	1
COIL ASSY - CONDENSER 410A LGR 7000XLI	103687	08-01844	EACH	1
ELECTRICAL BOX ASSY - HIGH VOLTAGE	104212	08-01847S	EACH	1
AXLE ASSEMBLY -5/8 OD ZP STL LGR 7000XLI	101189	08-01849	EACH	1
BACK PANEL - POLYETHYLENE FLINT GRY	101037	08-01851-09S	EACH	1
BASE - POLYETHYLENE FLINT GRY	106190	08-01852-09S	EACH	1
COVER - POLYETHYLENE FISHER BLU	104059	08-01853S	EACH	1
DUCT RING - 12" DIA ABS BLK	104100	08-01854	EACH	1
GASKET - HEAT BLOCK RH NEOPR PSA	105187	08-01863	EACH	1
GROMMET - 90 DEGREE FOAM	105700	08-01875	EACH	1
CLAMP - .75 HW ONE HOLE	110191	08-01876	EACH	1
INSULATION - PIPE .375 ID X .25 WALL EPDM	108291	08-01878	INCH	6.3
BRACKET - COVER CORNER CLIP (LGR 7000XLI)	101936	08-01886	EACH	2
BRACKET - MOUNTING PUMP & OVERFLOW SWITCH LGR 7000XLI	101981	08-01984	EACH	1
HEAT EXCHANGER BLOCK 7000XLI	105611	08-01900	EACH	1
SENSOR CABLE ASSY - MICRO CONTROLLER TEMP DEFROST DEHUS	114811	08-01911	EACH	2
DRAIN SPOUT - PP BLACK	115067	08-01994	EACH	1
WHEEL - 12 X 2 X 5/8 BORE GRY (Includes DUST CAP, 13-01549)	120300	13-00053	EACH	2
TUBING - 3/8 X 5/8 OD BRAIDED PVC	116346	13-00083	FOOT	1.67
DUST CAP - 12 OD WHEEL NYLON BLK Included w/13-00053	103879	13-01549	EACH	2
TUBE - 1/4 ID X 3/8 OD VINYL	116125	15-00195	FOOT	40



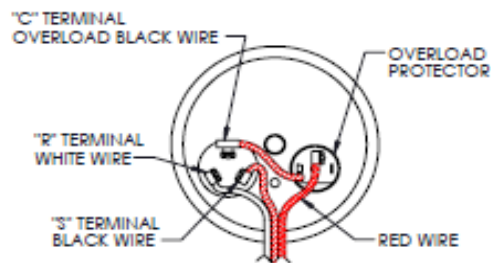
BASE UNIT ASSEMBLY DETAIL



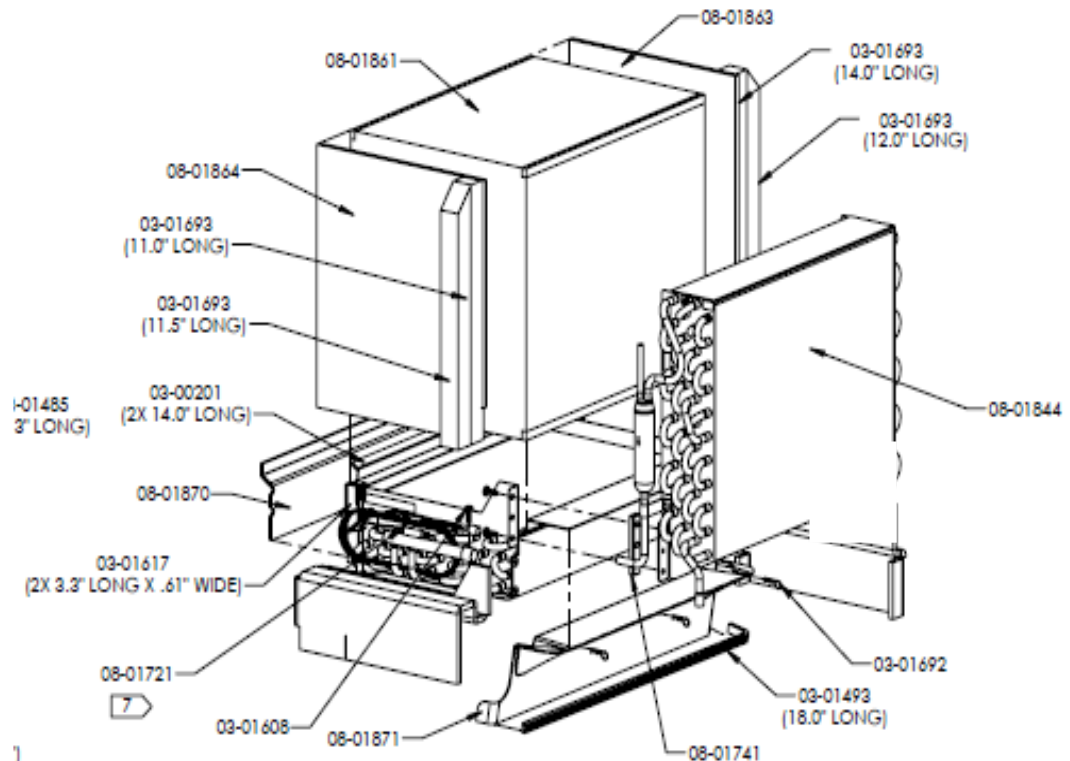
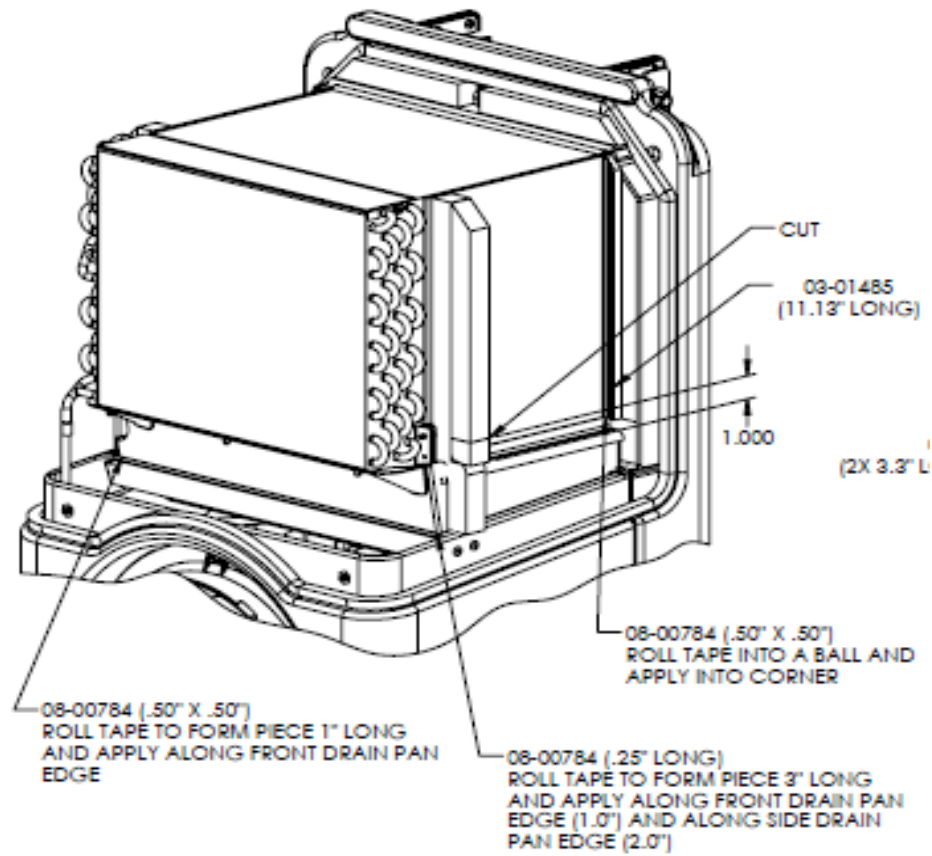
COMPRESSOR BASE DETAIL



BLOWER SHROUD ASSEMBLY DETAIL



COMPRESSOR WIRING DETAIL



COIL AND HEAT EXCHANGER ASSEMBLY DETAIL



03-01692

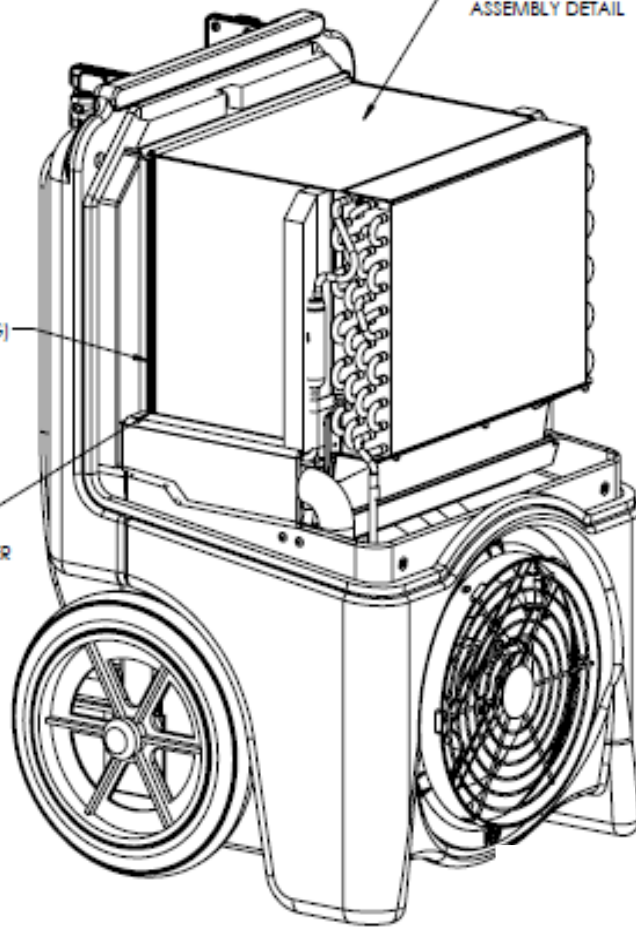
03-01493  
(8.0' LONG)

Y DETAIL

03-01485  
(11.13' LONG)

08-00784 (.50" X .50")  
ROLL TAPE INTO A BALL  
AND APPLY INTO CORNER

SEE COIL & HEAT EXCH  
ASSEMBLY DETAIL



03-01479  
03-00018

03-00105

08-01875  
ROUTE WIRE BUNDLE  
THROUGH SLEEVE &  
SECURE WITH CLAMP

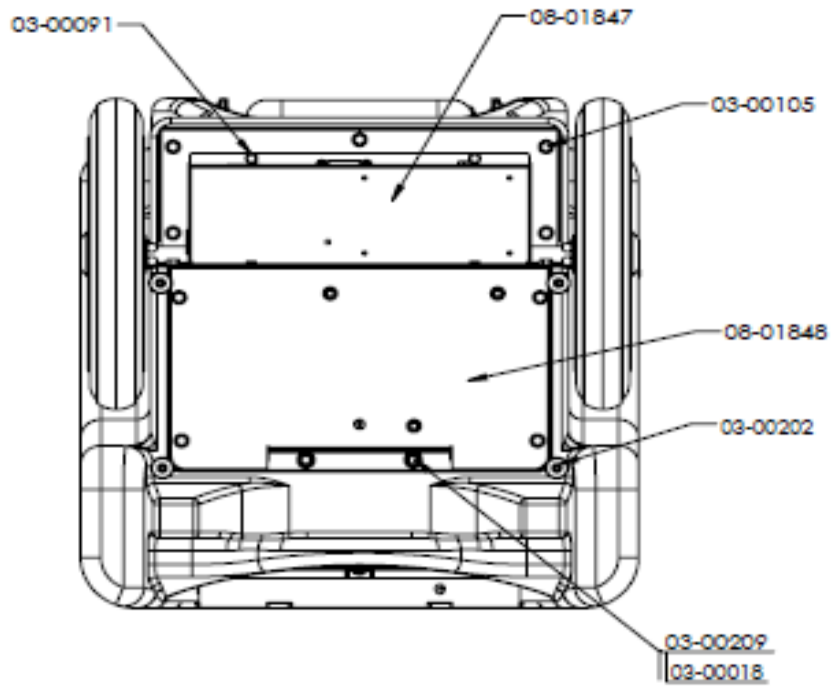
08-01876  
CLAMP

03-01608

08-01847

03-00091

PARTIAL REAR VIEW



BOTTOM VIEW

