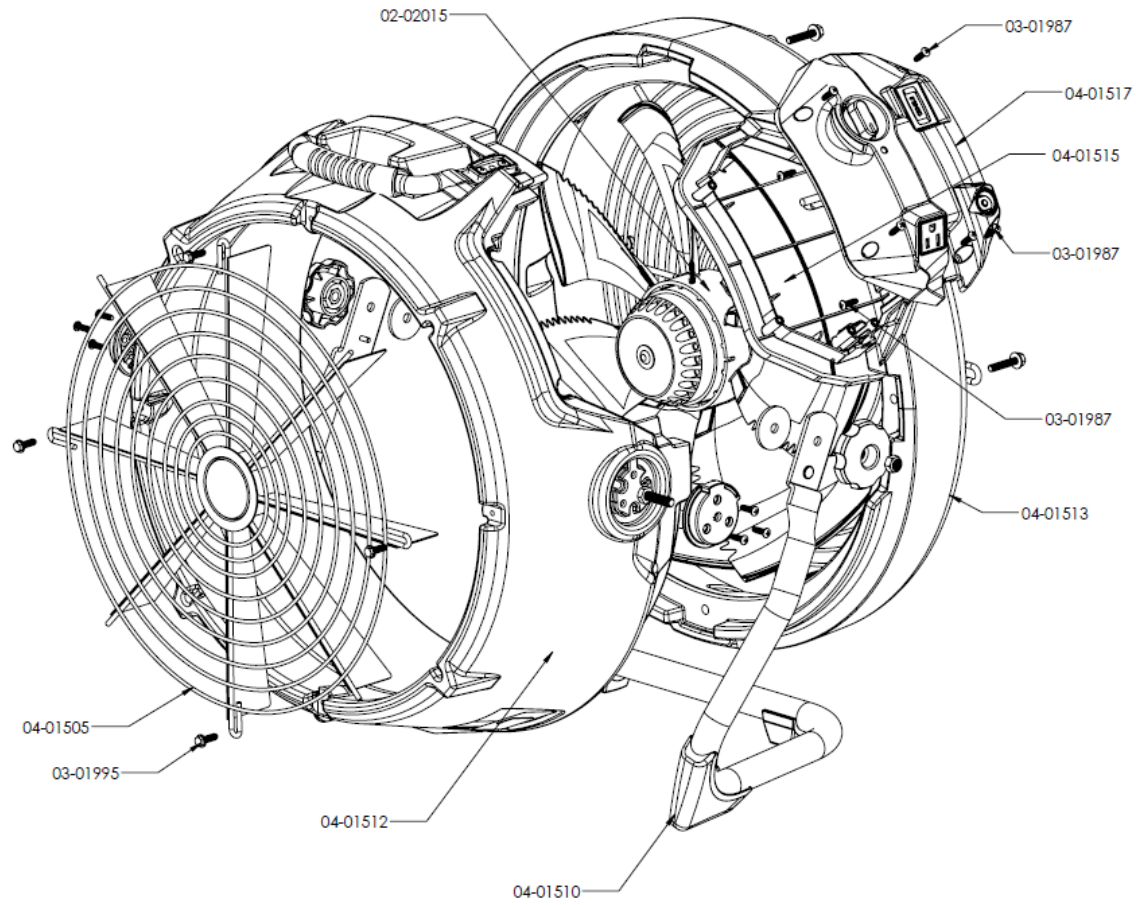
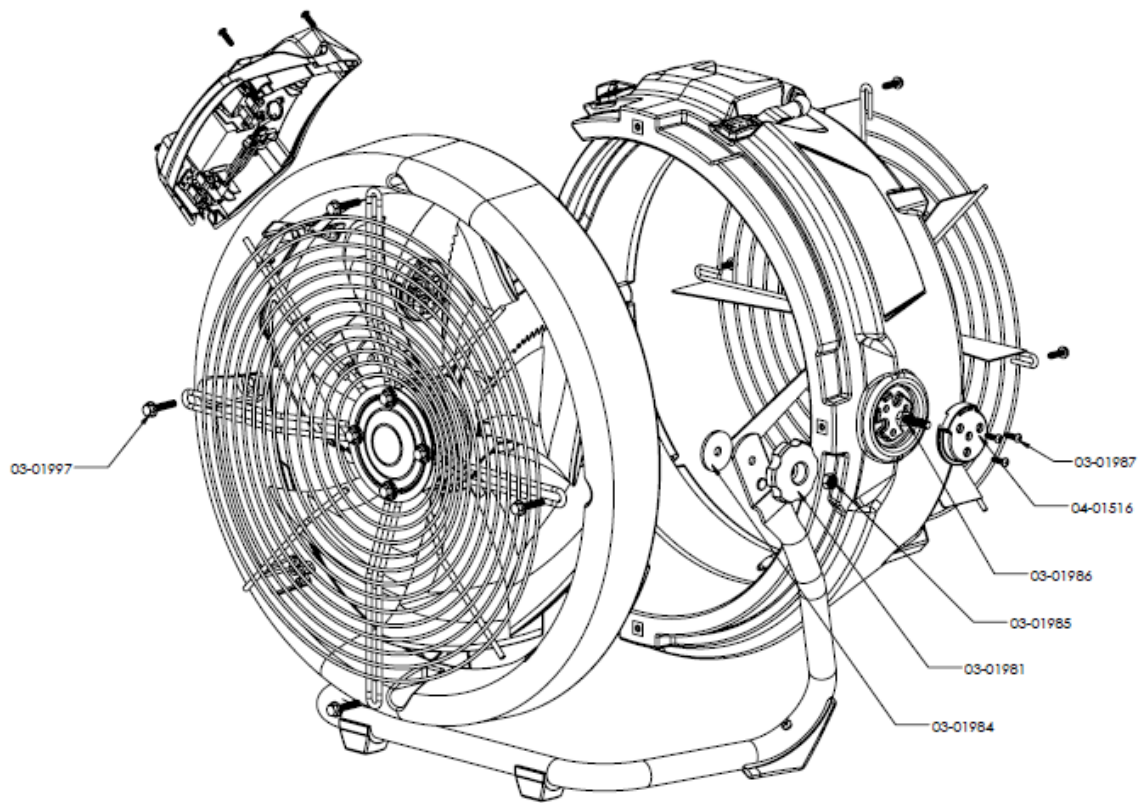


F568 PARTS LIST
STEALTH AV3000

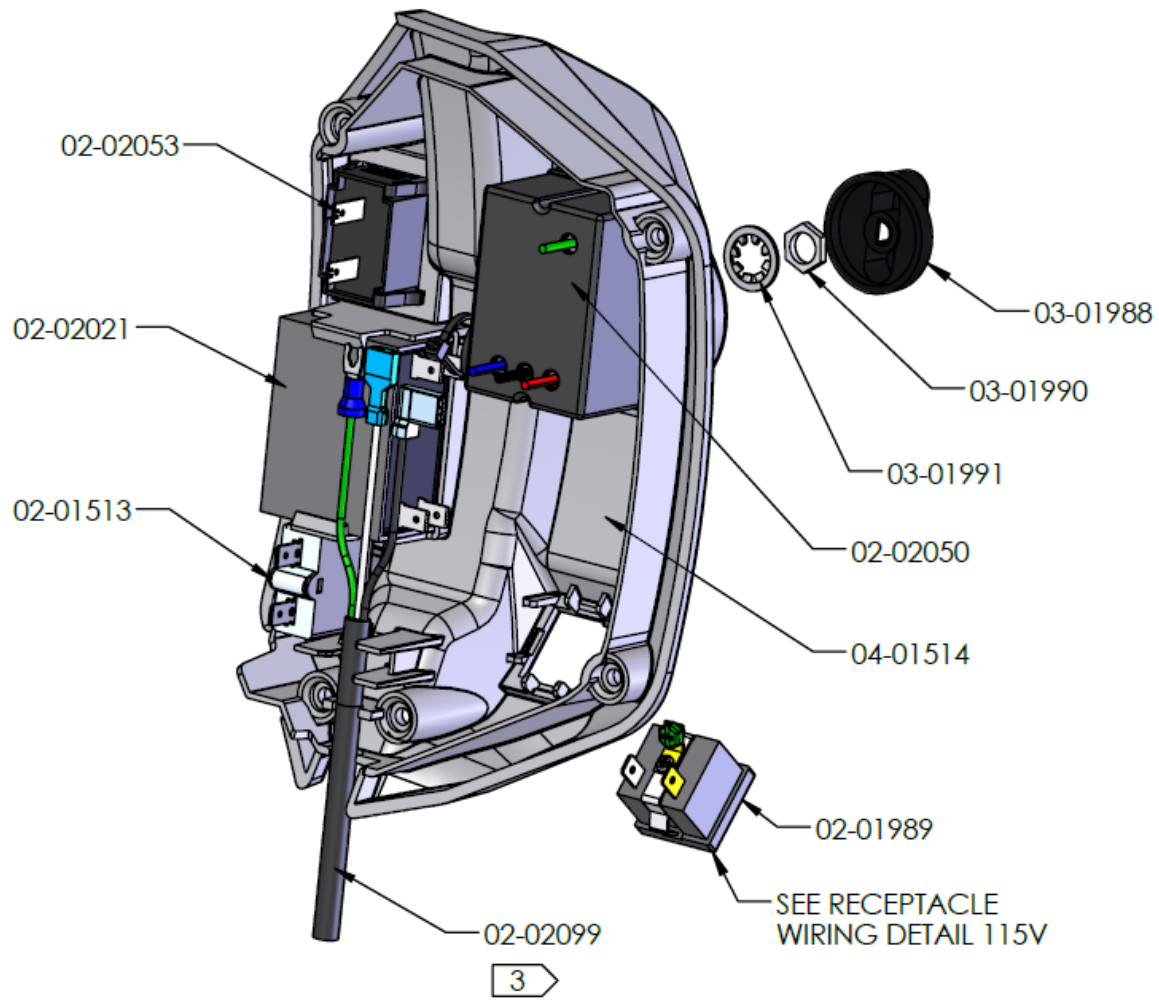




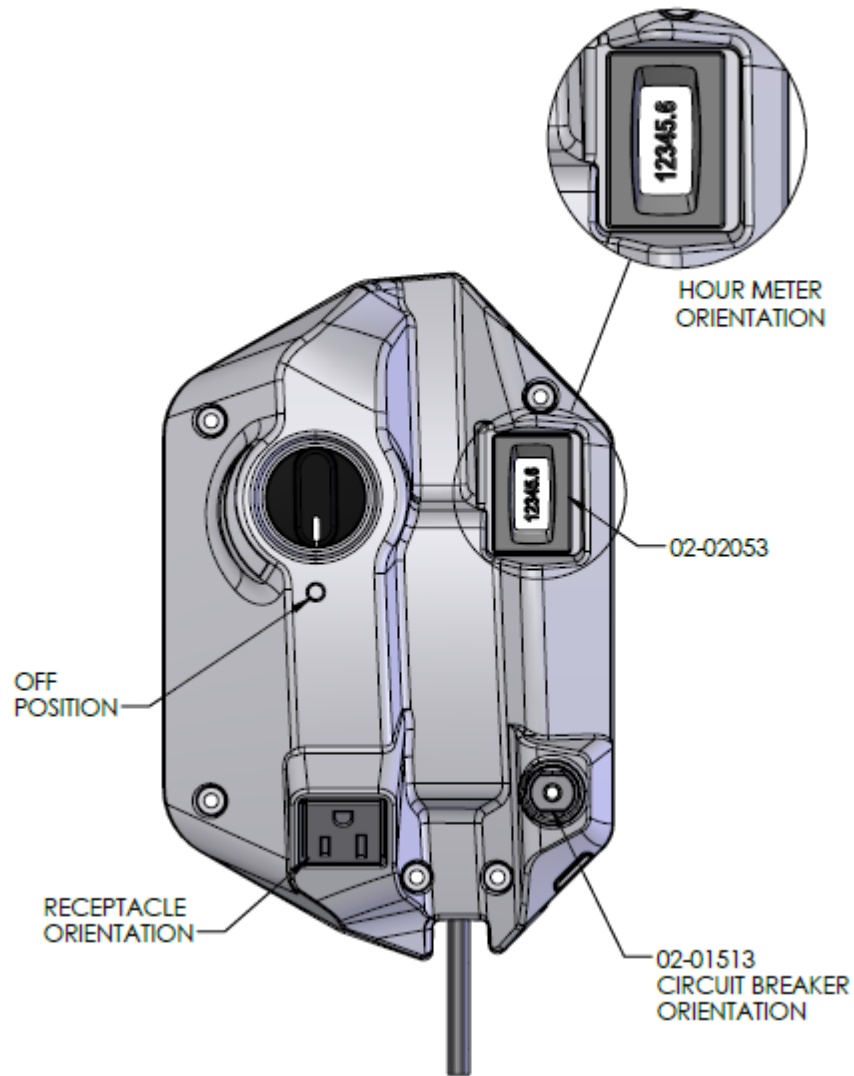
PART #	QTY	DESCRIPTION
02-02015	1	FAN ASSY – MOTORIZED IMPELLER 115V 340W 1550 RPM 420MM DIA
03-01987	6	SCREW - #10 X 5/8 HIGH LOW PHP BLK
03-01995	4	SCREW - #10 X 3/4 BWH TORX PS BLK
04-01505	1	GRILL – OUTLET PC BLK STEALTH AV3000
04-01510	1	STAND ASSY – TUBULAR STEALTH AV3000
04-01512	1	HOUSING – MAIN BODY POLYETHYLENE FISHER BLUE STEALTH AV3000
04-01513	1	HOUSING – INLET RING POLYETHYLENE FISHER BLUE STEALTH AV3000
04-01515	1	ENCLOSURE – ELECTRICAL BOX BOTTOM ABS STEALTH AV3000



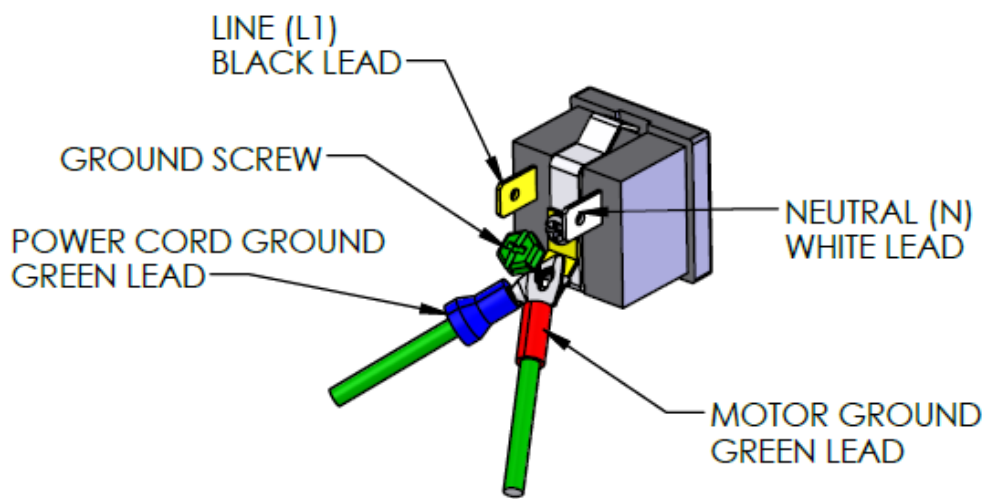
PART #	QTY	DESCRIPTION
03-01981	2	KNOB – FLUTED M8 INSERT BLK
03-01984	2	WASHER – 1.50 OD X .33 ID X .13 EPDM
03-01985	2	NUT – M8 X 1.25 NYLOC ZP
03-01986	2	SCREW – MACH M8 X 1.25 X 30 HH GR8 ZP
03-01987	6	SCREW - #10 X 5/8 HIGH LOW PHP BLK
04-01516	2	BUSHING – INNER STAND SUPPORT BLK STEALTH AV3000



PART #	QTY	DESCRIPTION
02-01513	1	CIRCUIT BREAKER – 12A THERMAL SNAP IN
02-01989	1	RECEPTACLE – SNAP IN 5-15R BLK
02-02021	1	CAPACITOR – 30MFD 250V BOX
02-02050	1	SWITCH ASSY – VAR SPEED TRIAC 115V 5A NO TABS STEALTH AV3000 (NOT SHOWN)
02-02053	1	HOUR METER – RECTANGULAR MINI 115/230V SNAP IN
02-02099	1	POWER CORD ASSY – 14/3 SJTW 5-15P 16FT STEALTH AV3000
03-01988	1	KNOB – 1.38 OD BAR .25 X .156 D SHAFT RUBBER OVERMOLD BLK
03-01990	1	NUT – 3/8-32NEF ZP
03-01991	1	WASHER – 3/8 LOCK INTERNAL TOOTH ZP
04-01514	1	ENCLOSURE – ELECTRICAL BOX COVER ABS STEALTH AV3000
04-01517	1	ELECTRICAL BOX ASSEMBLY



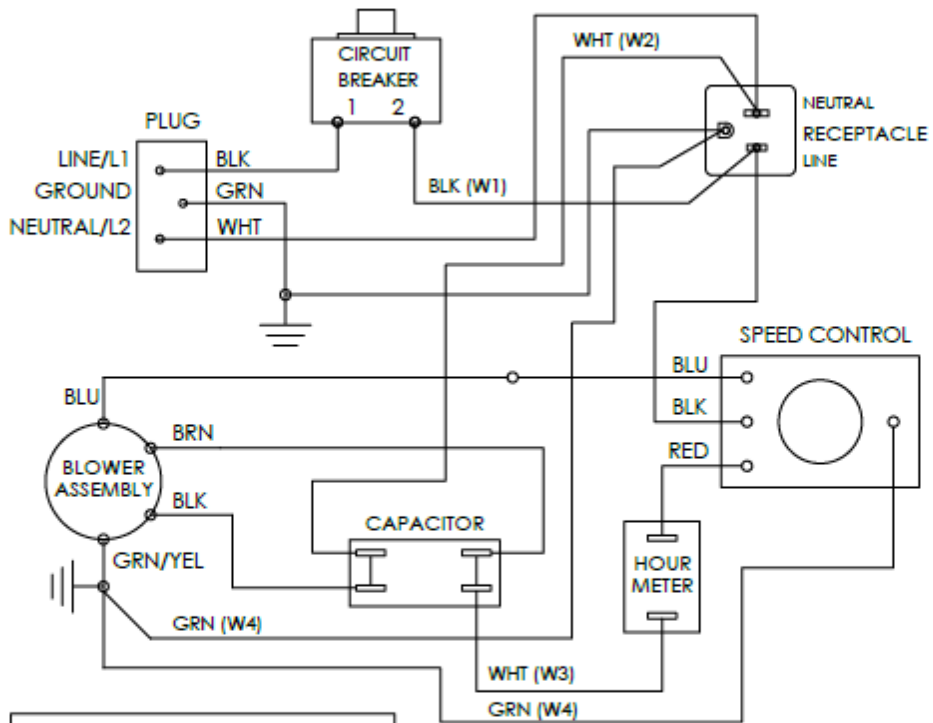
PART #	QTY	DESCRIPTION
02-01513	1	CIRCUIT BREAKER – 12A THERMAL SNAP IN
02-02053	1	HOUR METER – RECTANGULAR MINI 115/230V SNAP IN



4 RECEPTACLE WIRING DETAIL 115V

WIRING SCHEMATIC

STEALTH AV3000 - 115V 60HZ WIRING DIAGRAM



WIRING COLOR CODES

BLK = BLACK	WHT = WHITE
GRN = GREEN	BRN = BROWN
RED = RED	BLU = BLUE
YEL = YELLOW	
GRN/YEL = GREEN/YELLOW	
BNW = BROWN/WHITE	