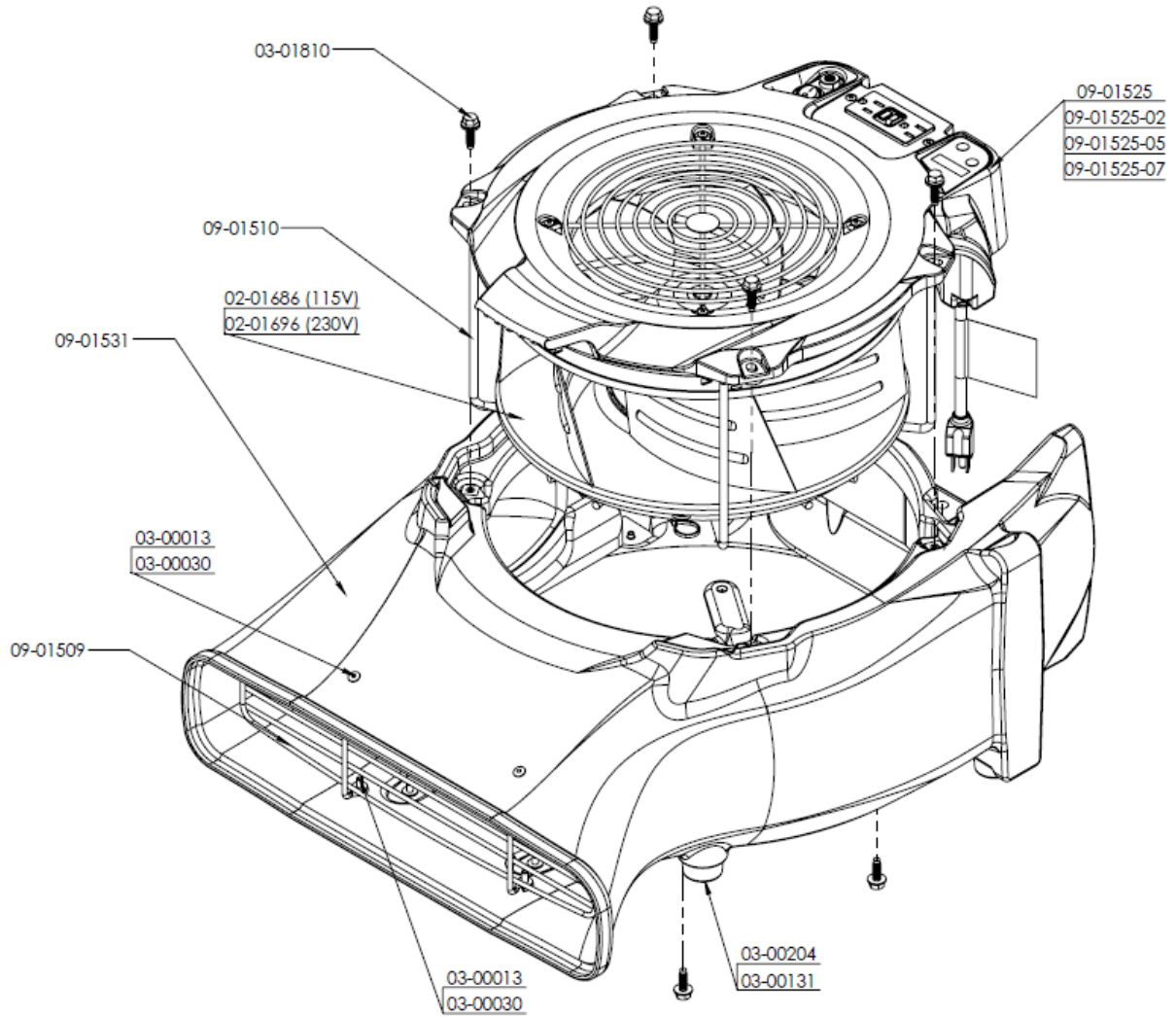


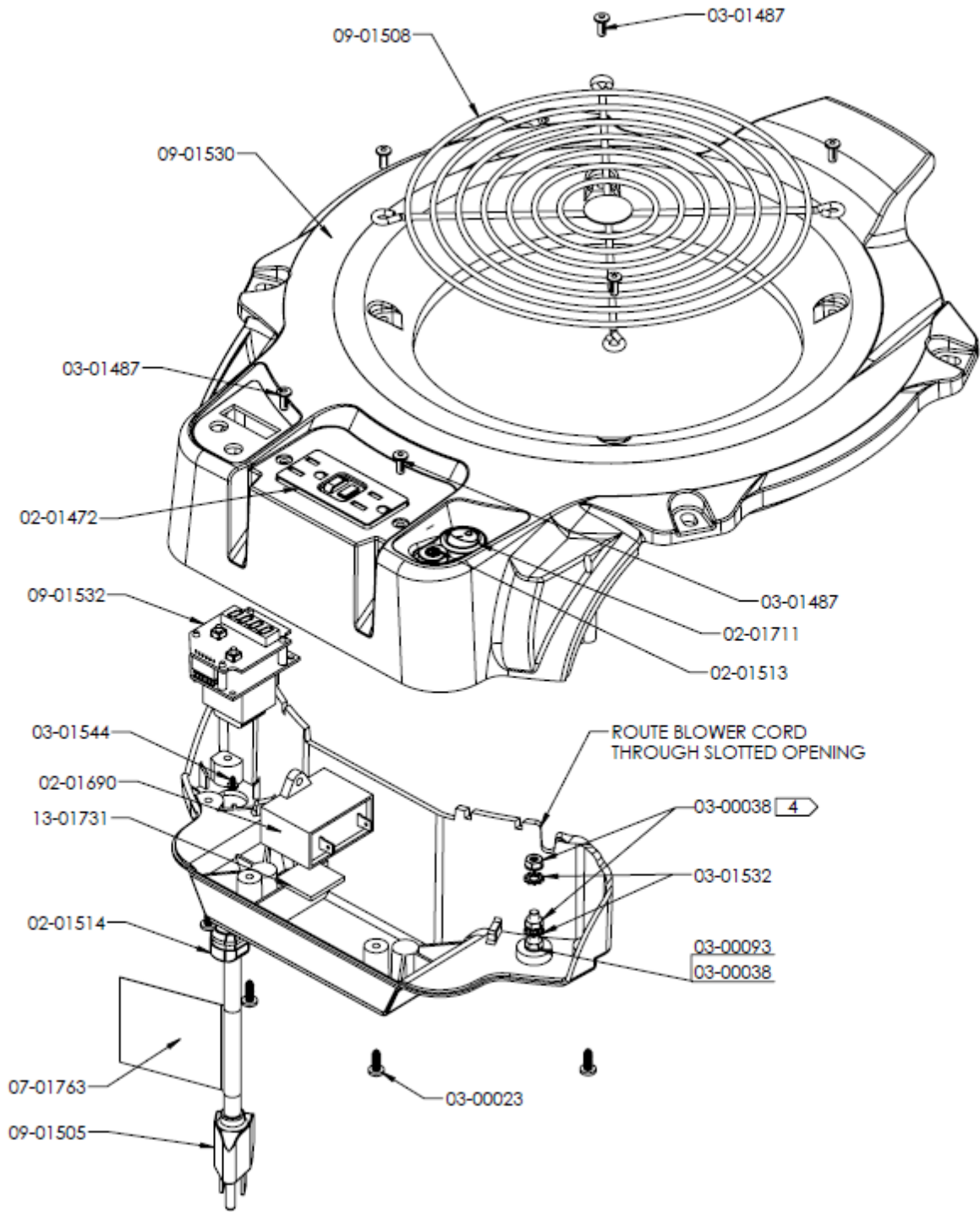
114969 (F505) VELO PRO 115/230V - ROTOMOLDED

PARTS LIST



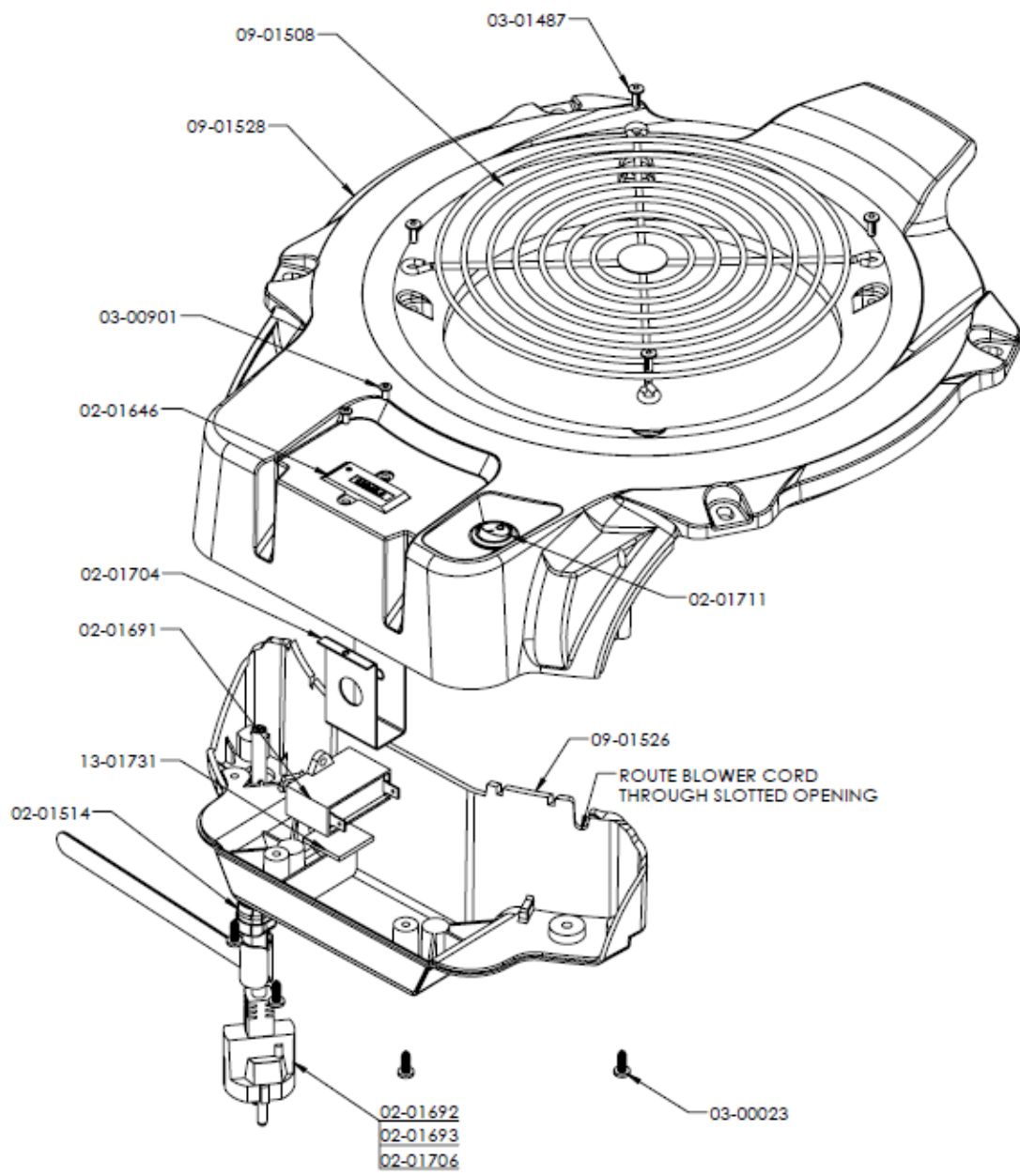
CONTINUES ON NEXT PAGE

NEW PART NO.	OLD PART NO.	QTY	DESCRIPTION
101431	02-01686	1	BLOWER ASSY - MOTORIZED IMPELLER 115V 190W 1600 RPM 1SP VELO
102572	02-01696	1	BLOWER ASSY - MOTORIZED IMPELLER 230V 124W 1300 RPM 1SP VELO
114773	03-00013	4	WASHER - 3/16 RIVET .19 ID X .47 OD X .05 ZP
114104	03-00030	4	RIVET - 3/16 X 1/2 AL/AL BLK ANOD
106508	03-00131	4	FOOT - ROUND 3/16 ID X 1.25 OD X 5/8 RUBBER BLK
112015	03-00204	4	RIVET - 3/16 X 5/8 TRI FOLD AL/AL
119416	03-01812	4	SCREW - M6 X 18MM HWH NYLOC ZP MATPOINT
117215	09-01509	1	GRILL - OUTLET PC GL BLK VELO
111113	09-01510	1	MOUNT - BLOWER WIRE FORM ZP STL VELO
116248	09-01525	1	ELECTRICAL BOX ASSY - 115/230V VELO PRO
104875	09-01525-02	1	ELECTRICAL BOX ASSY - 230V VELO PRO EU
103970	09-01525-05	1	ELECTRICAL BOX ASSY - 230V VELO PRO UK
103969	09-01525-07	1	ELECTRICAL BOX ASSY - 230V VELO PRO AU
117522	09-01531	1	HOUSING - POLYETHYLENE VELO FISHER BLUE



PRO 115V

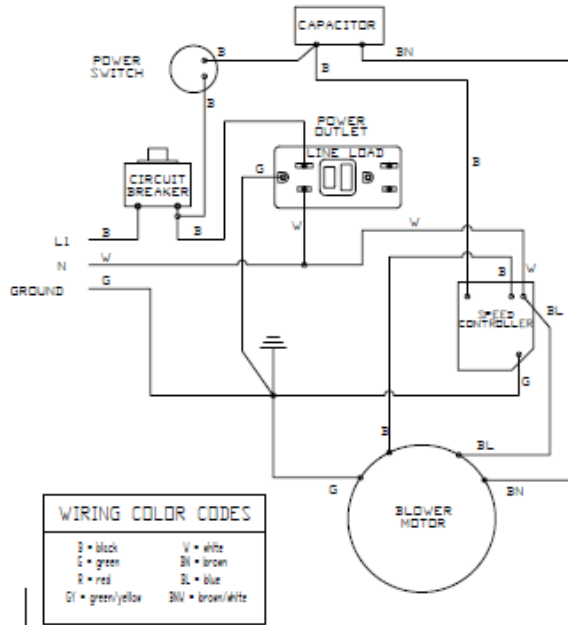
NEW PART NO.	OLD PART NO.	QTY	DESCRIPTION
111834	02-01472	1	RECEPTACLE – COMMERCIAL 15A W/ GFCI
102770	02-01513	1	CIRCUIT BREAKER – 12A THERMAL SNAP IN
113464	02-01514	1	STRAIN RELIEF – LIQUID TIGHT .370 DIA X .13 BLK
102541	02-01690	1	CAPACITOR – 16MFD 250V W/MTG BRKT
119709	02-01711	1	SWITCH – ROCKER SPST ROUND
112357	03-00023	5	SCREW #8 – ½ PHIL PH ZP
123051	03-00038	3	NUT - #10-24 W/STAR WASHER ZP
112673	03-00093	1	SCREW - #10-24 X 1 SER HWH ZP
123076	03-01487	6	RIVET – 5/32 X ¼ TRI FOLD AL/AL BLK
123076	03-01532	2	WASHER - #10 ANSI EXTERNAL TOOTH ZP
112348	03-01544	3	SCREW - #4 X 3/8 PHP ZP
117958	07-01763	1	LABEL – WARNING POWER CORD FANS
111255	09-01505	1	POWER CORD ASSY – 14/3 SJTW 5-15P 15FT VELO
117210	09-01508	1	GRILL – INLET PC GL BLK VELO
103981	09-01530	1	DRIE-INLETRING - ELECTRICAL BOX 115V – VELO
110446	09-01532	1	PCBA – SPEED CONTROLLER VELO
115829	13-01731	1	TAPE – 1 IN WIDE DOUBLE SIDED MTG HEAVY DUTY



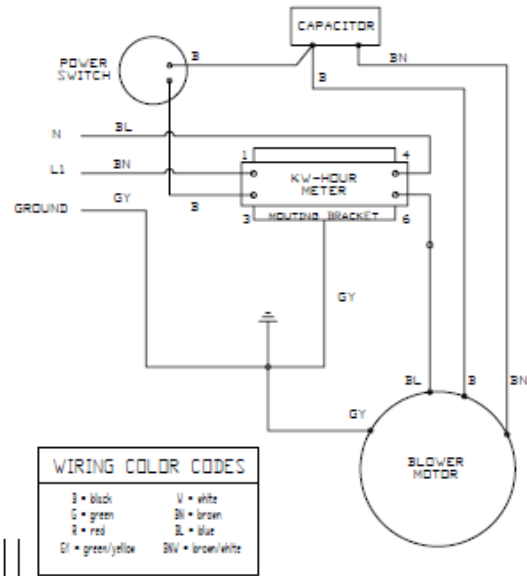
PRO 230V

NEW PART NO.	OLD PART NO.	QTY	DESCRIPTION
113464	02-01514	1	STRAIN RELIEF – LIQUID TIGHT .370 DIA X .13 BLK
110620	02-01646	1	METER – WATT HOUR 230V 50/60HZ DIN RAIL MTG
102496	02-01691	1	CAPACITOR – 4 MFD 450V W/MTG BRKT
111317	02-01692	1	POWER CORD ASSY – 3 X 1.0MM H07RNF CEE7/7 16FT VELO
111065	02-01693	1	POWER CORD ASSY – 3 X 1.00MM H07RNF AS 3112 16FT VELO PRO
102914	02-01704	1	BRACKET – DIN RAIL MOUNTING KW HOUR METER VELO
111318	02-01706	1	POWER CORD ASSY – 3 X 1.0MM H07RNF BS1363 16FT VELO
119709	02-01711	1	SWITCH – ROCKER SPST ROUND
112357	03-00023	5	SCREW - #8 X ½ PHIL PH ZP
111943	03-00901	2	RIVET – 1/8 X 1/8 AL/AL
123076	03-01487	4	RIVET – 5/32 X ¼ TRI FOLD AL/AL BLK
117210	09-01508	1	GRILL – INLET PC GL BLK VELO
115080	09-01526	1	PANEL – ELECTRICAL BOX BOTTOM ABS BLK VELO
103788	09-01528	1	DRIE-INLETRING - ELECTRICAL BOX 230V - VELO PRO
115829	13-01731	1	TAPE – 1 IN WIDE DOUBLE SIDED MTG HEAVY DUTY

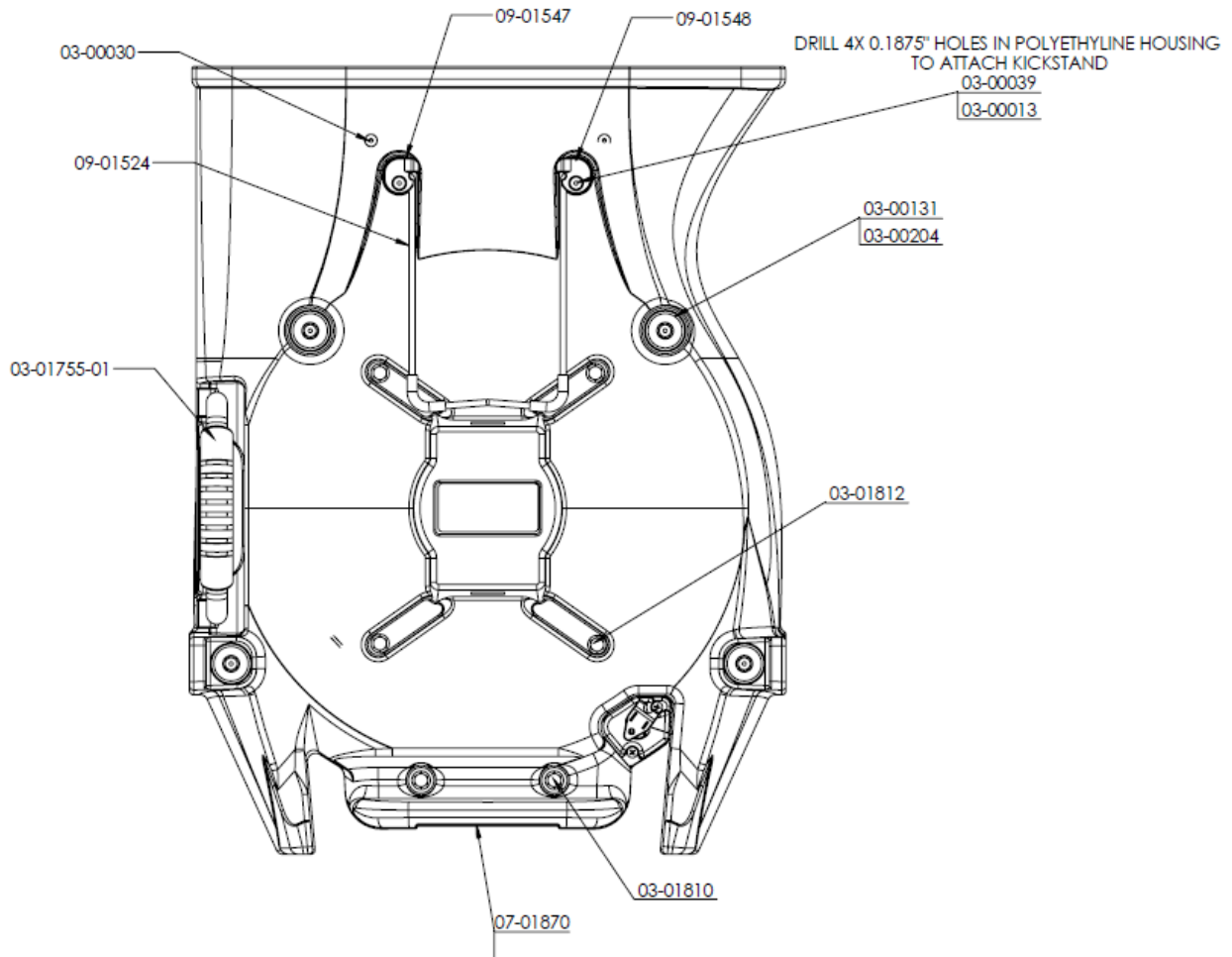
VELD PRO - 115V 60HZ WIRING DIAGRAM



VELD PRO - 230V 50HZ WIRING DIAGRAM

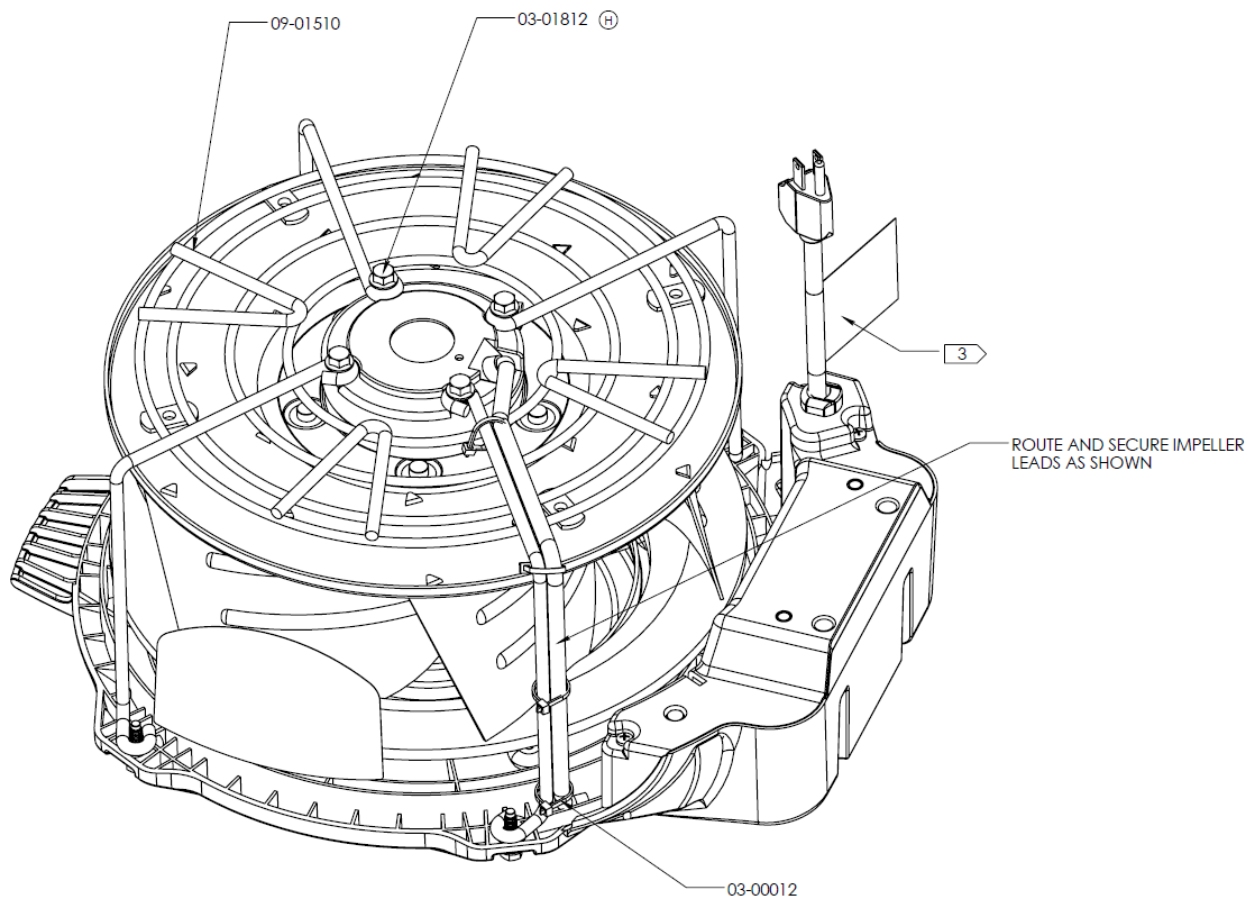


BOTTOM VIEW



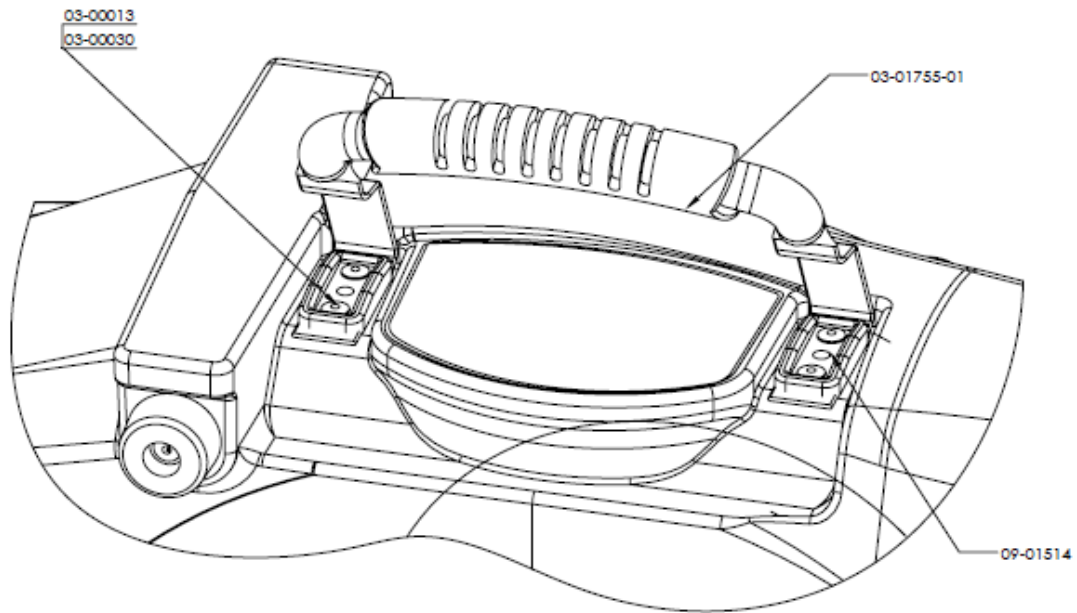
NEW PART NO.	OLD PART NO.	QTY	DESCRIPTION
114773	03-00013	2	WASHER - 3/16 RIVET .19 ID X .47 OD X .05 ZP
114104	03-00030	4	RIVET - 3/16 X 1/2 AL/AL BLK ANOD
112094	03-00039	2	RIVET - 3/16 X 5/8 STL/STL ZP
106508	03-00131	4	FOOT - ROUND 3/16 ID X 1.25 OD X 5/8 RUBBER BLK
112015	03-00204	4	RIVET - 3/16 X 5/8 TRI FOLD AL/AL
114470	03-01810	2	SCREW - M6 X 22MM HWH NYLOC ZP MATPOINT
119416	03-01812	4	SCREW - M6 X 18MM HWH NYLOC ZP MATPOINT
107463	07-01870	1	LABEL WARNING VELO

INSIDE VIEW



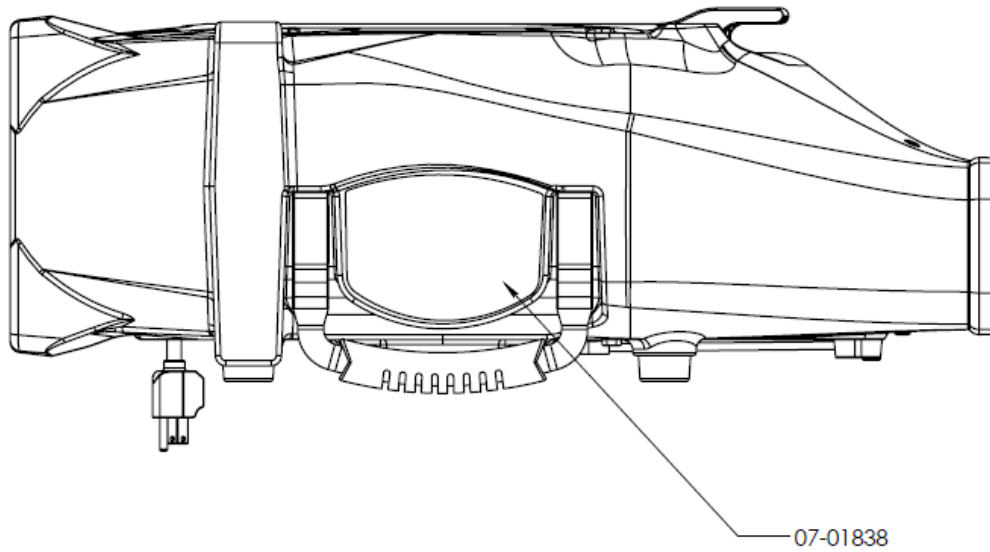
NEW PART NO.	OLD PART NO.	QTY	DESCRIPTION
102216	03-00012	4	CABLE TIE - 4 NYLON
119416	03-01812	4	SCREW - M6 X 18MM HWH NYLOC ZP MATPOINT
111113	09-01510	1	MOUNT - BLOWER WIREFORM ZP STL VELO

HANDLE VIEW



NEW PART NO.	OLD PART NO.	QTY	DESCRIPTION
114773	03-00013	4	WASHER - 3/16 RIVET .19 ID X .47 OD X .05 ZP
114104	03-00030	4	RIVET - 3/16 X 1/2 AL/AL BLK ANOD
117248	03-01755-01	1	HANDLE - GRAB WITH LIFTING STRAP
102724	09-01514	2	CLIP - HANDLE MTG NYLON BLK

SIDE VIEW (LABEL)



<i>NEW PART NO.</i>	<i>OLD PART NO.</i>	<i>QTY</i>	<i>DESCRIPTION</i>
117938	07-01838	1	LABEL - PRODUCT VELO

